

# DESIGNER

COLLECTIONS



**RAK**  
CERAMICS

**RAK**  
CERAMICS



## Creative Collaborations

Collaboration is the essence of Creation. RAK Ceramics works with renowned designers to create innovative bathroom products that will inspire and enhance your imagination. Aimed to address the evolving design demand of the market, these collaborations bring forth creative ideas and latest trends in the industry resulting in an aesthetic and functional bathroom collection. RAK Ceramics brings the designer's idea to life by creating high quality products which gives the customers the freedom to imagine.

Starting from the left side:  
Patrick Norguet, Giuseppe Maurizio Scutellà,  
Daniel Debiasi and Federico Sandri



# RAK-VALET



Patrick Norguet creates a surprising new bathroom project for RAK Ceramics: RAK-Valet.

A set of visions, designs, exclusive shapes and fast rhythms that lead to unexpected solutions, a hallmark of Norguet's approach to each of his new creations. RAK-Valet represents all the creative genius of the French designer, combined with the reputation of Rak Ceramics for manufacturing quality and project completion. The collection consists of functional elements, that fully service the bathroom experience: a space that is increasingly the protagonist of every interior design project, residential or contract, a key environment for the harmony and character of each creation, classic or contemporary, but always unique.



## Design by Patrick Norguet

Patrick Norguet is an essential figure on the international design scene.

After completing his design studies at the ESDI, Patrick Norguet was commissioned to design the display windows of two major players in the luxury industry: Yves Saint-Laurent and Louis Vuitton. From these experiences, he gained an understanding of brand identity and the way of showcasing it. Designing Renault's event stands helped him to hone and apply his synthesis skills to ephemeral architectures.

In 2000, his Rainbow Chair, noticed and produced by Giulio Cappellini, gave him visibility that quickly spread thanks to the international media. He then opened his studio in Paris. His early furniture collections for Bernhardt, Artifort, Offect, Capdell or the French companies Alki and Tolix validated and established his presence at international shows. In 2010, designing one McDonald's restaurant in France gradually led to a collaboration with McDonald's Global. Patrick Norguet has become an emblematic figure of French design.

Alias, Arflex, Artemide, Cassina, Emu, Ethimo, Glass Italia, Kristalia, Lea Ceramica, Pedrali, de Padova, and Tacchini quickly recognized his talent and authority and fully involved him in the production process and strives to create long-lasting collections. Drawing inspiration from everything that surrounds him, Patrick Norguet does not follow trends but seeks to give shape to products whose relevance and modernity would withstand the test of time: "A well-designed object, an object created through generous collaboration is timeless."

*P. Norguet*



## Rimless technology

RAK Ceramics delivers the ultimate in technology for bathroom suites. Based on similar design specifications to sanitaryware in hospitals and medical centres, RAK Ceramics Rimless water closets allows you to experience the same high standards of hygiene in your own home.

RAK Ceramics continues to set new standards of hygiene and water efficiency in the sanitaryware industry, with uniquely engineered water flushing systems that effectively remove waste, helping to keep bathrooms fresh and hygienic.

### **WATER SAVING**

Using just 4 litres for the full flush and 2.5 litres for the half flush, water usage is reduced by a third.

### **HYGIENIC AND EASY TO CLEAN**

The water closets have no rims to harbour germs, making cleaning quick, easy and more hygienic.

### **SILENT FLUSH**

Rimless technology allows a faster and more silent flush.

### **EFFICIENT DESIGN**

Design and efficiency can be successfully combined. Water flows vertically and horizontally, before flushing the entire inner surface of the bowl, without splashing.



Water Saving



Easy Cleaning



Silent



Hygienic



No ledges or rim



Rimless



No Lateral Holes

## Hidden fixation systems

Our wall hung and back to wall products are benefitting from the collaboration with Fischer Group, one of the industry leaders. The use of the most innovative Fischer fixing systems, is allowing us design freedom on the ceramic, better aesthetics and more safety for the installer.

The Hidden Fixation System is comfortable and time saving, in fact one-man installation is made possible by the clip system that keeps the ceramic held up during the installation.



FOR BACK TO WALL AND FREE STANDING



FOR WALL HUNG







# INSIDE OUT

Bringing domestic life into the open (and viceversa)

A special project, the result of a very simple concept, but just as strong as to give character to the house in every detail: dialogue. Dialogue between inside and outside, between light and shadow, dialogue between volumes, dialogue between lines, dialogue between elements, shapes and materials. From the dialogue comes a new way of living and enjoying the domestic space, which becomes a space free from patterns, permeable, osmotic, innovative.

In every internal environment, the outside is present and alive and tells the evolution of the day and the surrounding scenery. Inside, the delicate balance is never disturbed and each element is functional to the person in this constant and harmonious exchange. Everything depends on who lives in the space, and it being the center of this dialogue - a witness to something magical and delicate.

Un progetto speciale, frutto di un concetto molto semplice, ma altrettanto forte da dare carattere alla casa in ogni dettaglio: il dialogo. Dialogo tra dentro e fuori, tra luce e ombra, dialogo tra volumi, dialogo tra linee, dialogo tra elementi, forme e materiali. Dal dialogo nasce un modo nuovo di abitare e di fruire dello spazio domestico, che diventa uno spazio libero da schemi, permeabile, osmotico, innovativo.

In ogni ambiente interno, l'esterno e' presente, vivo, cadenza il ritmo, racconta l'evolversi del giorno e dello scenario circostante. All'interno il delicato equilibrio non viene mai turbato ed ogni elemento e' funzionale all'inclusione della persona in questo costante ed armonico scambio. Tutto e' in funzione di chi vive lo spazio, al servizio del suo essere al centro di questo dialogo, testimone di qualcosa di magico e delicato.



THE DELICATE BALANCE OF LIGHT, SHADOW, SHAPE AND MATERIALS



A CONSTANT AND HARMONIOUS EXCHANGE, AT THE SERVICE OF THE PERSON



Un projet particulier, fruit d'un concept très simple, mais à la fois suffisamment fort, pour conférer du caractère à la maison, dans tous les détails: le dialogue. Dialogue entre l'intérieur et l'extérieur, dialogue entre les éléments, les formes et les matériaux. À partir du dialogue naît un nouveau mode d'habiter et de jouir de l'espace domestique, qui devient un espace libre de schémas, perméable, osmotique et innovateur. Dans tout espace intérieur, l'extérieur est présent, vivant, détermine le rythme, raconte l'évolution de la journée et du scénario circonstant. À l'intérieur, l'équilibre délicat n'est jamais perturbé et chaque élément est fonctionnel, y compris la personne dans cet échange constant et harmonieux. Tout dépend de celui qui habite cet espace, au service de son être au centre de ce dialogue, témoin de quelque chose de magique et de délicat.





Un proyecto especial, resultado de un concepto muy simple, pero igualmente fuerte para dar carácter a la casa en cada detalle: el diálogo. Diálogo entre adentro y afuera, entre luz y sombra, diálogo entre volumen, diálogo entre líneas, diálogo entre elementos, formas y materiales. Desde el diálogo nace un nuevo modo de habitar y de disfrutar del espacio doméstico, que se vuelve un espacio libre de esquemas, permeable, osmótico, innovador.

En cada ambiente interno, el exterior está presente, vivo, modula el ritmo, cuenta la evolución del día y del escenario circundante. En el interior, el equilibrio delicado nunca es perturbado y cada elemento es funcional para la inclusión de la persona en este intercambio constante y armónico. Todo es en función de quién vive el espacio, al servicio de su estar en el centro de este diálogo, testigo de algo mágico y delicado.



Ein besonderes Projekt, die Frucht eines sehr einfachen Konzepts, das jedoch gleichzeitig stark genug ist, dem Haus, in all seinen Details, Charakter zu verleihen: der Dialog. Dialog zwischen Innen und Außen, zwischen den Elementen, den Formen und den Materialien. Aus dem Dialog entsteht eine neue Art und Weise zu wohnen und den Wohnraum, der zu einem Raum frei von Schemata, durchlässig, osmotisch und innovativ wird, zu genießen.

In jedem Innenraum ist das Außen präsent, lebendig, bestimmt den Rhythmus und erzählt die Entwicklung des Tages und des dazugehörigen Szenarios. Im Inneren, wird das zarte Gleichgewicht niemals gestört und jedes Element ist funktionell, auch die Person, die sich in diesem konstanten und harmonischen Austausch befindet. Alles hängt von demjenigen ab, der diesen Raum bewohnt, im Dienste seines Seins mitten in diesem Dialog, als Zeuge von etwas Magischem und Zartem.






Специальный проект с очень простой концепцией, но такой мощный, что характер чувствуется в каждой детали дома: диалог. Диалог между внутренним и внешним, между светом и тенью, диалог между объемами, диалог между линиями, диалог между элементами, формами и материалами. Диалог формирует новый жизненный стиль и дает наслаждение внутренним пространством, которое становится проницаемым, осмотическим, инновационным, свободным от шаблонов.

Внешнее присутствует и живет во внутреннем окружении, рассказывает о развитии дня и окружающих ландшафтах. Тонкое равновесие внутри никогда не нарушается и каждый элемент функционален для человека в этом постоянном и гармоничном обмене. Все зависит от того, кто живет в пространстве, и именно он является центром этого диалога - свидетелем чего-то волшебного и тонкого.



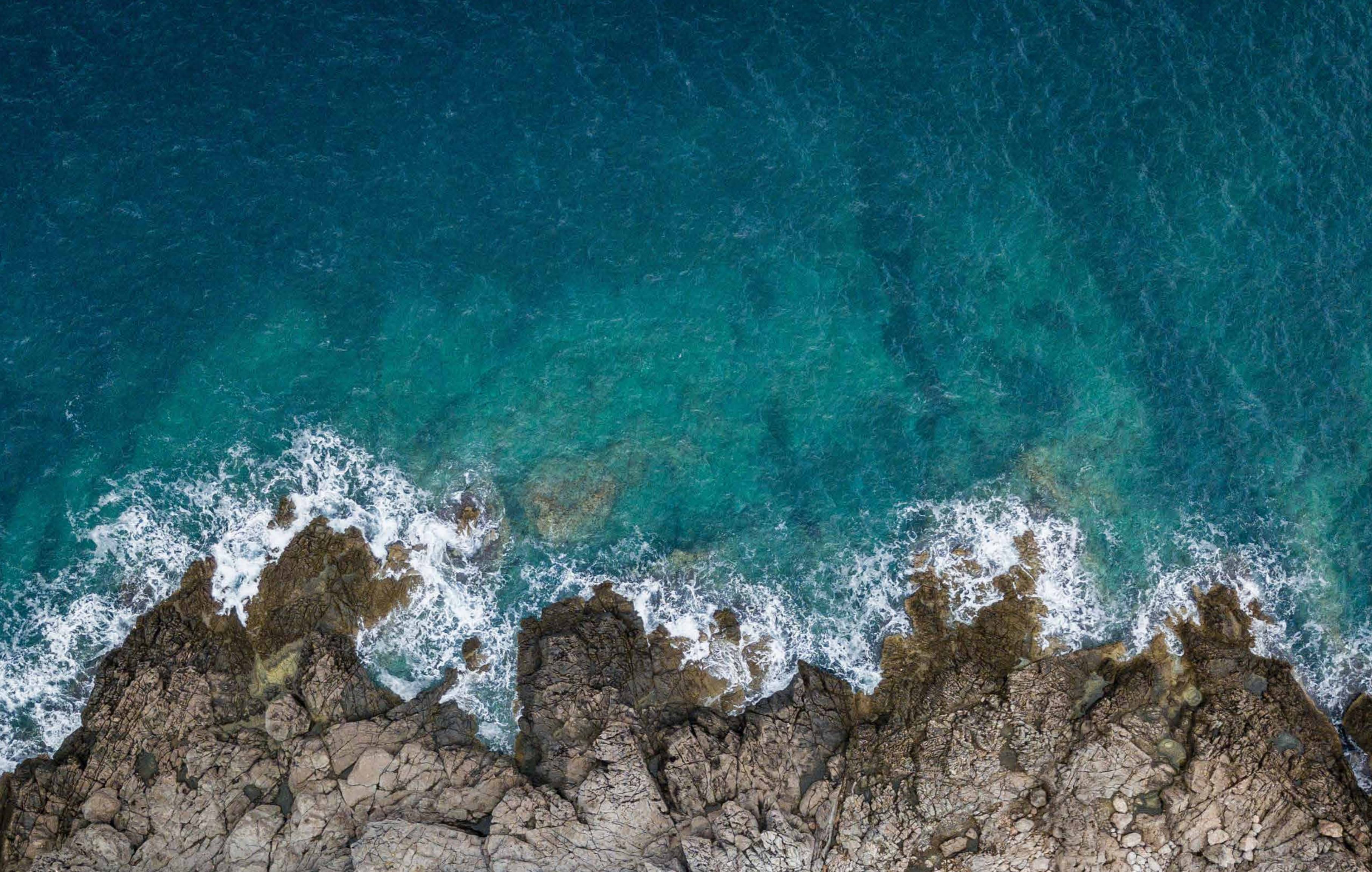


 48 CM  
VALCT4800AWHA  



 64 CM  
VALCT6400AWHA  





W 100 x D 3 x H 100CM  
JOYMR10000LED  
92 CM Right Ledge  
VALWB09200A/WHA





 W 100 x D 3 x H 100CM  
JOYMR10000LED

 112 CM Right Ledge  
VALWB11201AWHA

 56 CM  
VALWC1446AWHA



# RAK-VALET

Models | Modelli | Modèles | Modelos | Modelle | Модели



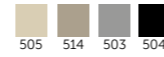
170X75 CM  
VALBT17075500

Drain Included

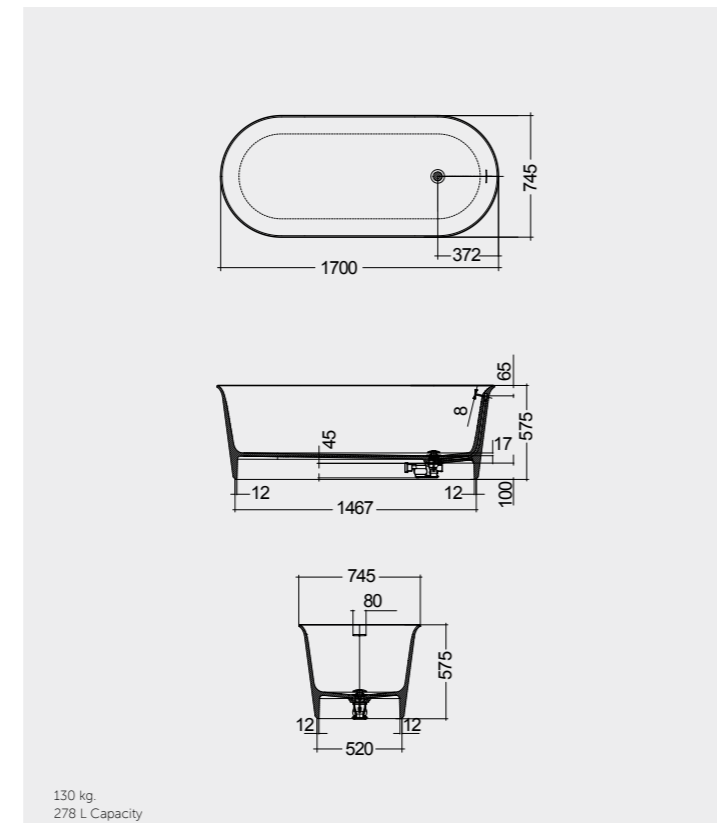
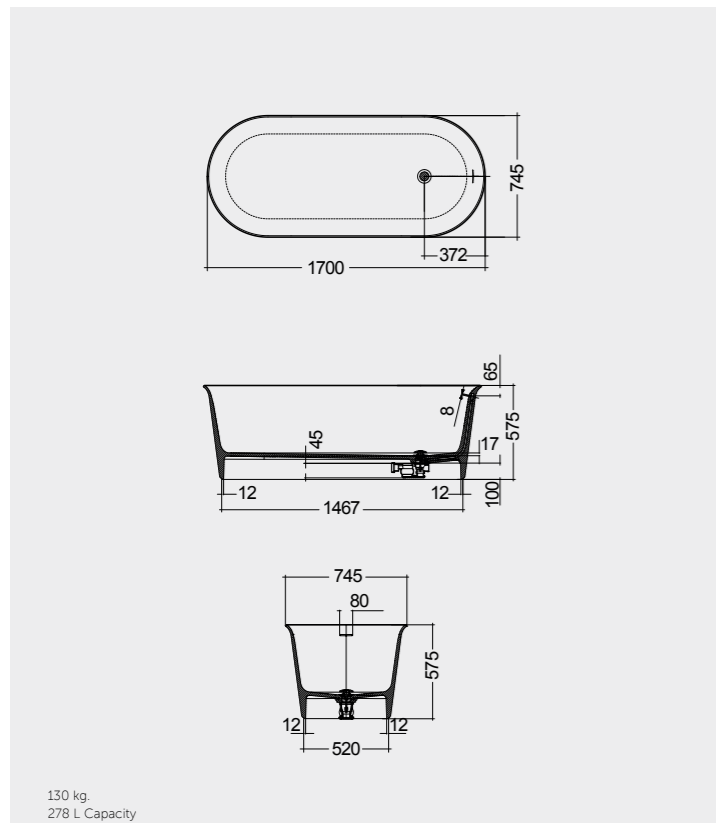


170X75 CM  
VALBT17075514

Drain Included



Measurements | Misure | Dimensions | Medidas | Abmessungen | Размеры



Note | Nota | Remarque | Notas | Hinweis | Примечание

All dimensions in mm tolerance  $\pm 5\%$  for below 200mm and  $\pm 3\%$  for above 200mm | Tutte le dimensioni hanno una tolleranza di  $\pm 5\%$  mm al di sotto dei 200mm e di  $\pm 3\%$  mm al di sopra dei 200mm | Toutes les dimensions en mm tolérance  $\pm 5\%$  pour moins de 200mm et  $\pm 3\%$  pour plus de 200mm | Todas las medidas en mm con tolerancia de 5% para menos de 200mm y 3% para más de 200mm | Alle Abmessungen in mm, Toleranz  $\pm 5\%$  für unter 200mm, und  $\pm 3\%$  für über 200mm | Все размеры указаны в мм, погрешность  $\pm 5\%$  ниже 200 мм и  $\pm 3\%$  выше 200 мм



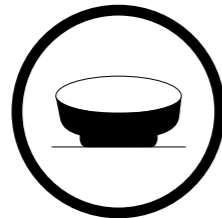
## RAKSOLID: DESIGN AND FUNCTIONALITY

RAKSOLID: STILE E FUNZIONALITA' | RAKSOLID: STYLE ET FONCTIONNALITÉ | RAKSOLID: DISEÑO Y FUNCIONALIDAD | RAKSOLID: STIL UND FUNKTIONALITÄT | RAKSOLID: ДИЗАЙН И ФУНКЦИОНАЛЬНОСТЬ

RAK-Valet bathtubs are made of RAKSOLID, a durable material composed of a mixture of natural minerals and resins. The elegant matte white finish gives a distinctive feel to the bathing area, as well as a pleasant to the touch and more anti-slip safety.



**PLEASANT TO TOUCH**  
PIACEVOLE AL TATTO  
AGRÉABLE À TOUCHER  
AGRADABLE AL TACTO  
ANGENEHM ZUM TASTEN  
ПРИЯТНО ПРИКАСАТЬСЯ



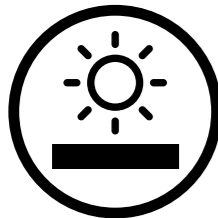
**EXTERNAL LACQUERING**  
LACCATURA ESTERNA  
LAQUAGE EXTÉRIEUR  
LACADO EXTERNO  
АУСSENЛАККИРОВКА  
ВНЕШНЯЯ ЛАКИРОВКА



**HYGIENIC AND BACTERIOSTATIC**  
IGIENICO E BATTERIOSTATICO  
HYGIÉNIQUE ET BACTÉRIOSTATIQUE  
HIGIENICO Y ANTIBACTERIAL  
HYGIENISCH UND BAKTERIOSTATISCH  
ГИГИЕНИЧНЫЙ И БАКТЕРИОСТАТИЧЕСКИЙ



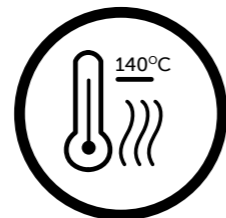
**SLIP RESISTANCE**  
ANTISCIVOLO  
ANTI GLISSANT  
ANTI-CAIDA  
RUTSCHFEST  
ПРОТИВОСКОЛЬЖЕНИЕ



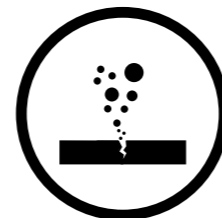
**LIGHT FASTNESS**  
RESISTENTE ALLE VARIAZIONI DI LUCE  
RÉSISTANT AUX VARIATIONS DE LUMIÈRE  
RESISTENTE A LAS VARIACIONES DE LA LUZ  
RESISTENT GEGEN LICHTWECHSELWIRKUNGEN  
СТОЙКАЯ К ВЫЦВЕТАНИЮ ПОВЕРХНОСТЬ



**RESISTANT TO CHEMICAL PRODUCTS**  
RESISTENTE AI PRODOTTI CHIMICI  
RÉSISTANT AUX PRODUITS CHIMIQUES  
RESISTENTE A PRODUCTOS QUIMICOS  
RESISTENT GEGEN CHEMISCHE PRODUKTE  
УСТОЙЧИВОСТЬ К ХИМИЧЕСКИМ ПРОДУКТАМ



**HEAT RESISTANT UP TO 140°C**  
RESISTENZA AL CALORE FINO A 140°  
RÉSISTANCE À LA CHALEUR JUSQU'À 140°  
RESISTE A CALOR INTENSO HASTA 1400 C  
HITZBESTÄNDIGKEIT BIS 140°  
СОПРОТИВЛЯЕМОСТЬ НАГРЕВУ (ДО 140°C)



**REPAIR**  
RIPARABILE IN CASO DI GRAFFI  
RÉPARABLES EN CAS D'ÉGRATIGNURES  
REPARABLE EN CAS DE RAYONES  
REPARIERBAR BEI KRATZERN  
ВОЗМОЖНОСТЬ РЕМОНТА



MATT WHITE (500)

MATT GREIGE (505)

RAK  
CERAMICS

RAK  
CERAMICS

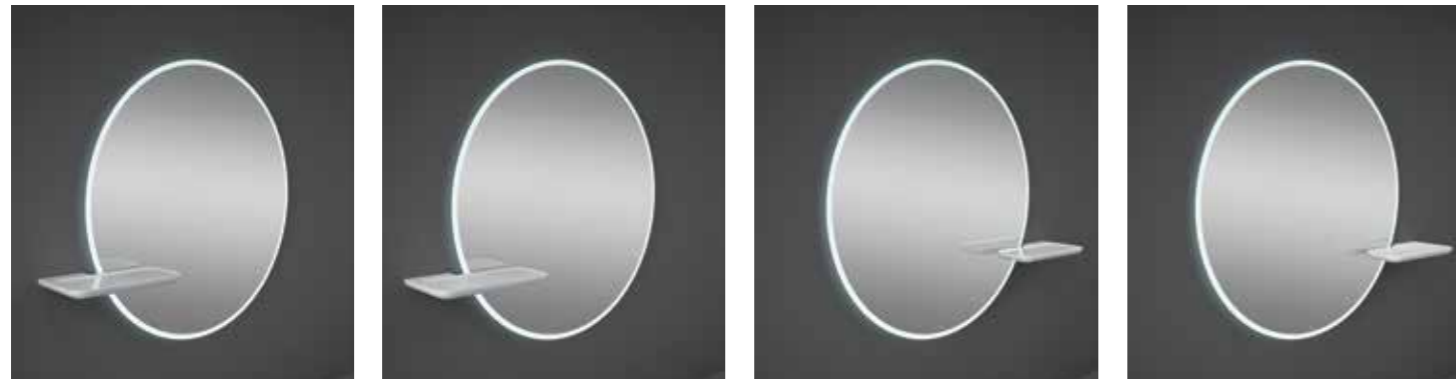
MATT CAPPUCCINO (514)

MATT GREY (503)

RAK  
CERAMICS

MATT BLACK (504)

Models | Modelli | Modèles | Modelos | Modelle | Модели



40 CM Left Ledge VALAC3609AWHA AWH 500  
 40 CM Left Ledge VALAC3609500A AWH 500  
 40 CM Right Ledge VALAC3608AWHA AWH 500  
 40 CM Right Ledge VALAC3608500A AWH 500

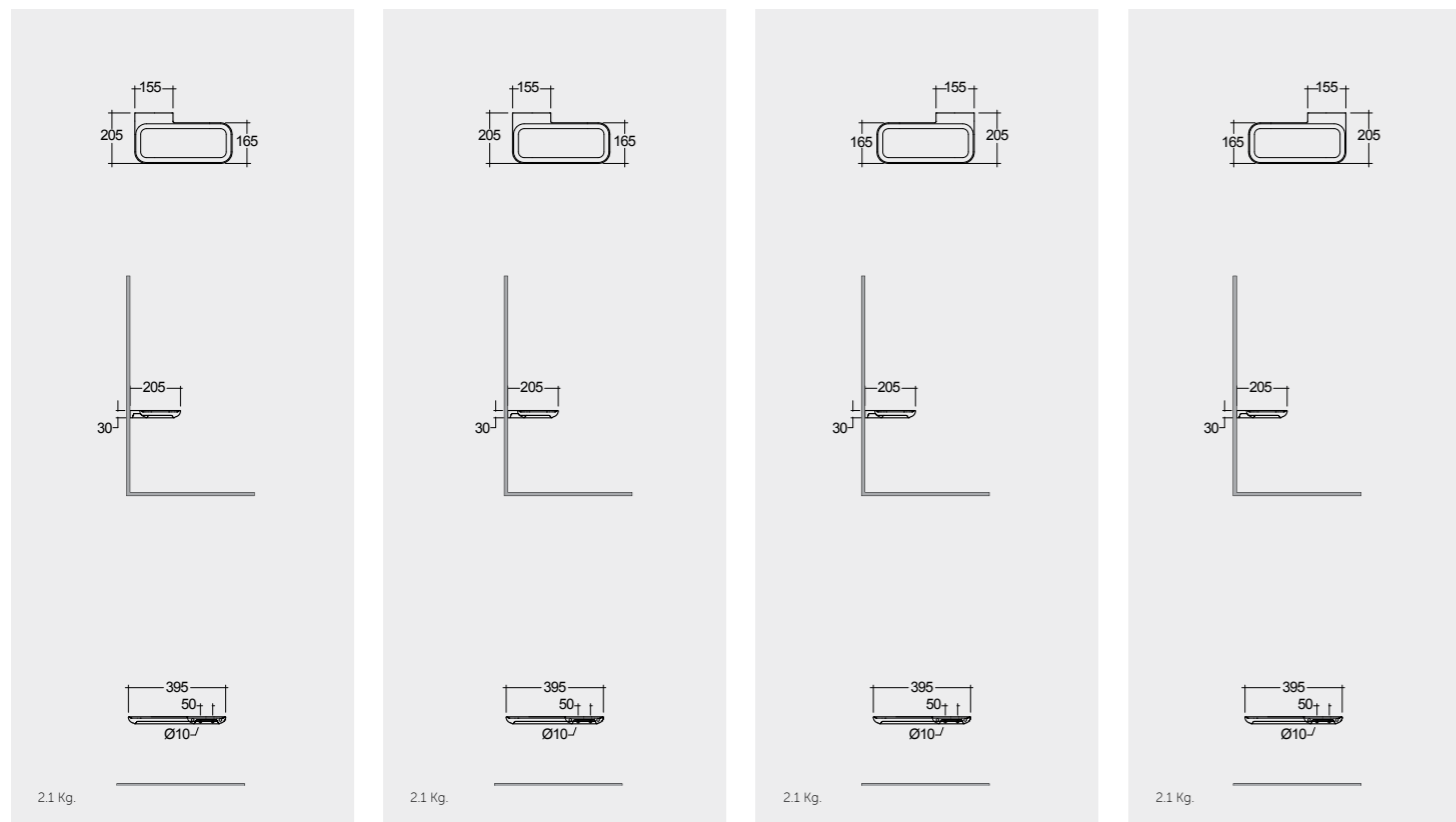
Suitable for RAK-Joy Uno round mirrors 60, 80 & 100 cm

Suitable for RAK-Joy Uno round mirrors 60, 80 & 100 cm

Suitable for RAK-Joy Uno round mirrors 60, 80 & 100 cm

Suitable for RAK-Joy Uno round mirrors 60, 80 & 100 cm

Measurements | Misure | Dimensions | Medidas | Abmessungen | Размеры



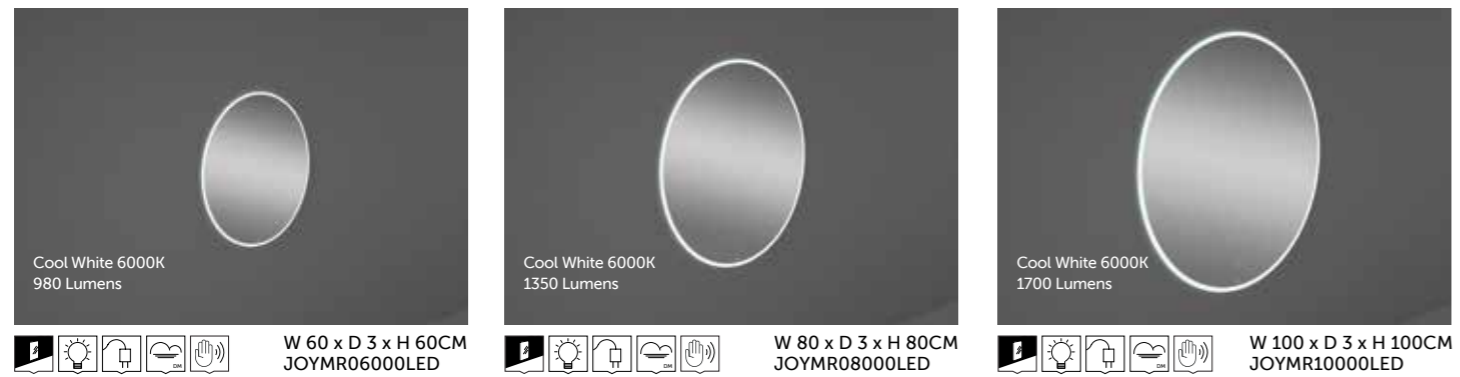
Note | Nota | Remarque | Notas | Hinweis | Примечание

All dimensions in mm tolerance  $\pm 5\%$  for below 200mm and  $\pm 3\%$  for above 200mm | Tutte le dimensioni hanno una tolleranza di  $\pm 5\%$  mm al di sotto dei 200mm e di  $\pm 3\%$  mm al di sopra dei 200mm | Toutes les dimensions en mm tolérance  $\pm 5\%$  pour moins de 200mm et  $\pm 3\%$  pour plus de 200mm | Todas las medidas en mm con tolerancia de 5% para menos de 200mm y 3% para más de 200mm | Alle Abmessungen in mm, Toleranz  $\pm 5\%$  für unter 200mm, und  $\pm 3\%$  für über 200mm | Все размеры указаны в мм, погрешность  $\pm 5\%$  ниже 200 мм и  $\pm 3\%$  выше 200 мм



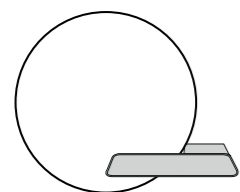
# RAK-VALET WITH RAK-JOY MIRRORS

MIRRORS | Specchi | Miroirs | Espejos | Spiegel | Зеркала

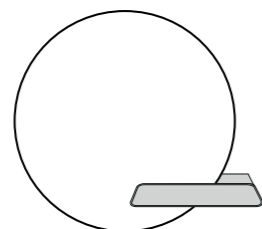


## POSSIBLE INSTALLATIONS

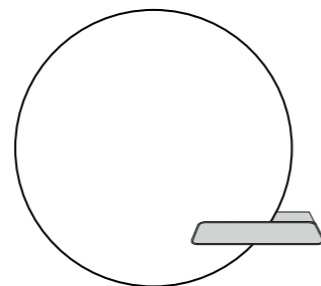
60



80

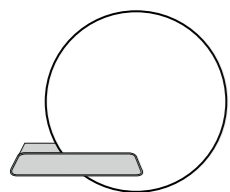


100

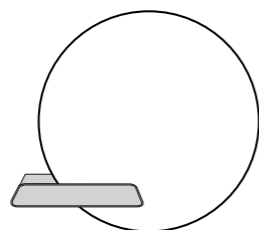


RIGHT

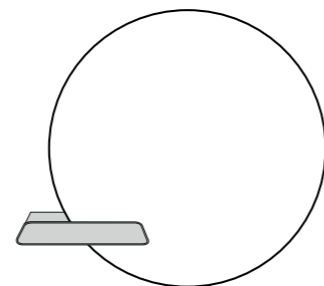
60



80



100



LEFT



## CHOOSE YOUR VALET

RAK-Valet models are all available in two finishes:

- Matt White
- Glossy Alpine White



MATT WHITE  
or  
ALPINE WHITE ?

I modelli RAK-Valet sono disponibili in due finiture:  
- Bianco Opaco  
- Bianco Alpino Lucido

Les modèles RAK-Valet sont disponible en 2 finitions:  
- Bianco matt  
- Bianco Alpino poli

Los modelos RAK-Valet estan disponibles en dos acabados:  
- Blanco Matte  
- Blanco Alpino

Die RAK-Valet Produkte sind in folgende Oberflächen verfügbar:  
- Bianco matt  
- Bianco Alpino glänzend

Модели RAK-Valet поставляются в двух вариантах отделки:  
- Белый матовый  
- Белый альпийский глянцевый

Models | Modelli | Modèles | Modelos | Modelle | Модели



53 CM  
VALFS5300AWHA



53 CM  
VALFS5300500A



FREE-FLOW  
ALPINE WHITE : DUO002AWHA

FREE-FLOW  
MATT WHITE : DUO002500A



FOR FLOOR OUTLET WASH BASIN  
PP WHITE : BTRFSPR001

With Siphon Clip Holder

Hidden Fixations

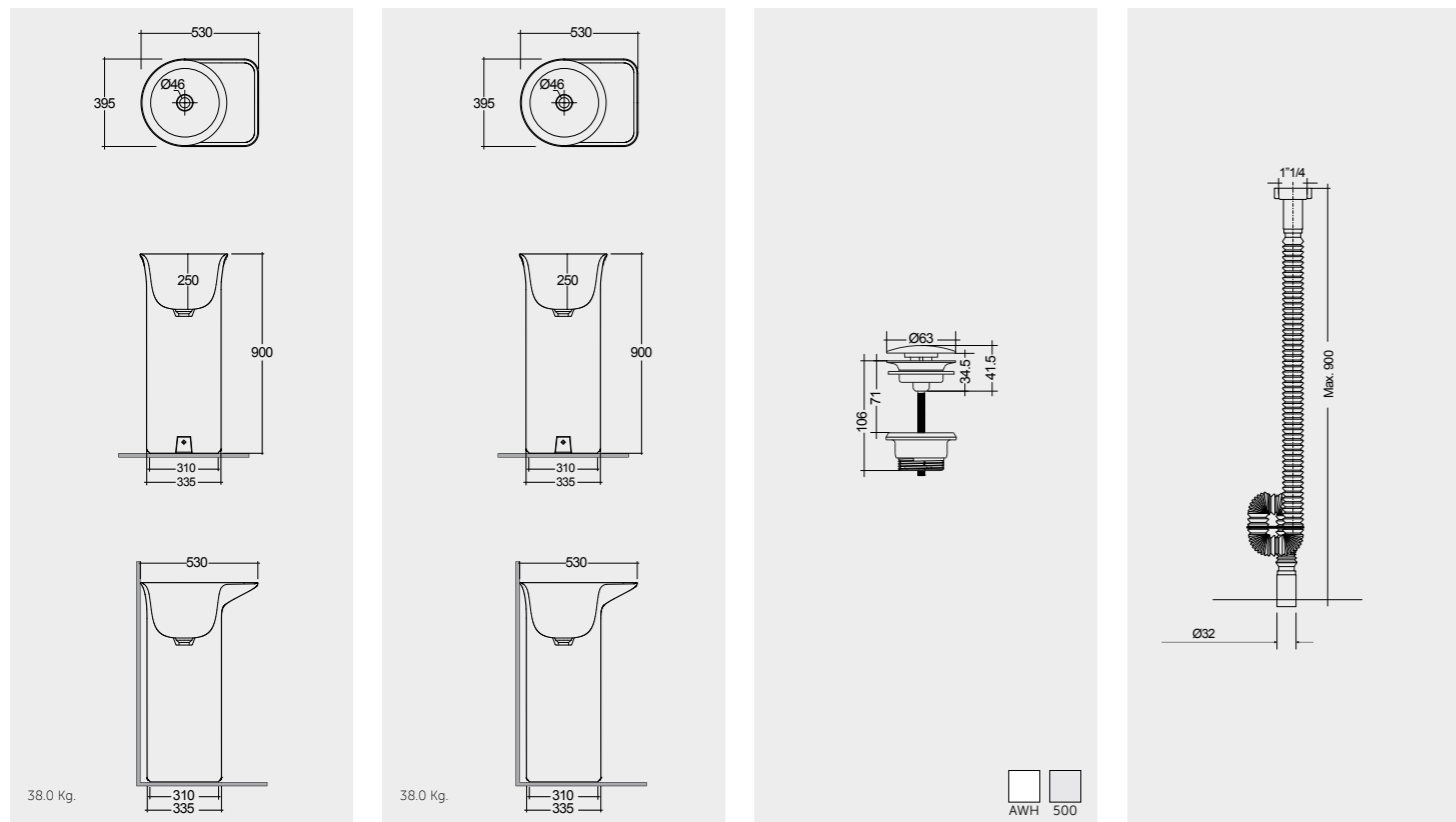
Drain Not Included

Matt Finish

Hidden Fixations

Drain Not Included

Measurements | Misure | Dimensions | Medidas | Abmessungen | Размеры



Note | Nota | Remarque | Notas | Hinweis | Примечание

All dimensions in mm tolerance  $\pm 5\%$  for below 200mm and  $\pm 3\%$  for above 200mm | Tutte le dimensioni hanno una tolleranza di  $\pm 5\%$  mm al di sotto dei 200mm e di  $\pm 3\%$  mm al di sopra dei 200mm | Toutes les dimensions en mm tolérance  $\pm 5\%$  pour moins de 200mm et  $\pm 3\%$  pour plus de 200mm | Todas las medidas en mm con tolerancia de 5% para menos de 200mm y 3% para más de 200mm | Alle Abmessungen in mm, Toleranz  $\pm 5\%$  für unter 200mm, und  $\pm 3\%$  für über 200mm | Все размеры указаны в мм, погрешность  $\pm 5\%$  ниже 200 мм и  $\pm 3\%$  выше 200 мм



# RAK-VALET

Models | Modelli | Modèles | Modelos | Modelle | Модели



 **92 CM Right Ledge** VALWB09201AWHA  AWH  
 **92 CM Right Ledge** VALWB09201500A  500  
 **92 CM Left Ledge** VALWB09301AWHA  AWH  
 **92 CM Left Ledge** VALWB09301500A  500

**Matt Finish**

**Matt Finish**

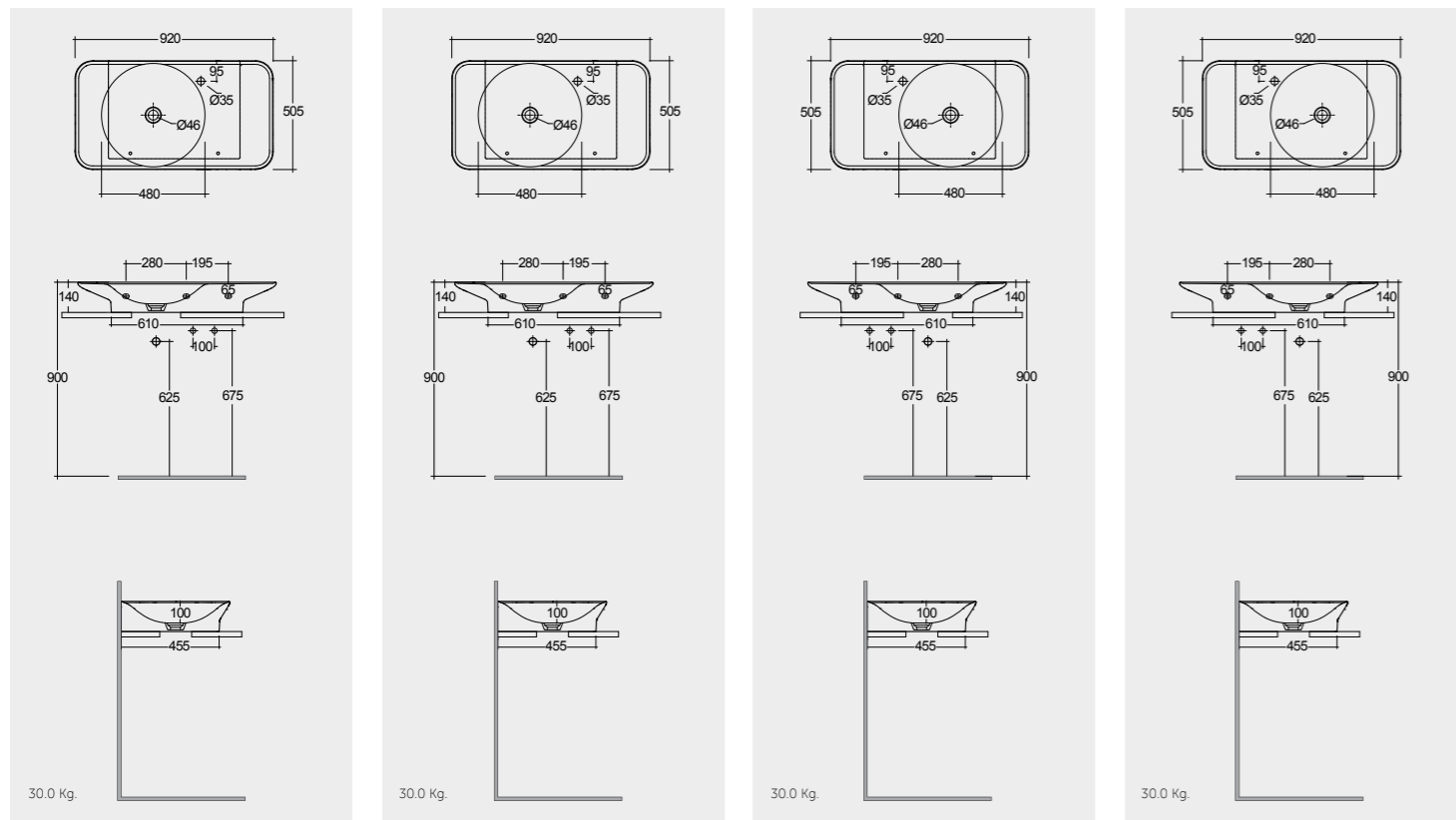
Drain not included

Drain not included

Drain not included

Drain not included

Measurements | Misure | Dimensions | Medidas | Abmessungen | Размеры



Models | Modelli | Modèles | Modelos | Modelle | Модели



 **112 CM Right Ledge** VALWB11201AWHA  AWH  
 **112 CM Right Ledge** VALWB11201500A  500  
 **112 CM Left Ledge** VALWB11301AWHA  AWH  
 **112 CM Left Ledge** VALWB11301500A  500

**Matt Finish**

**Matt Finish**

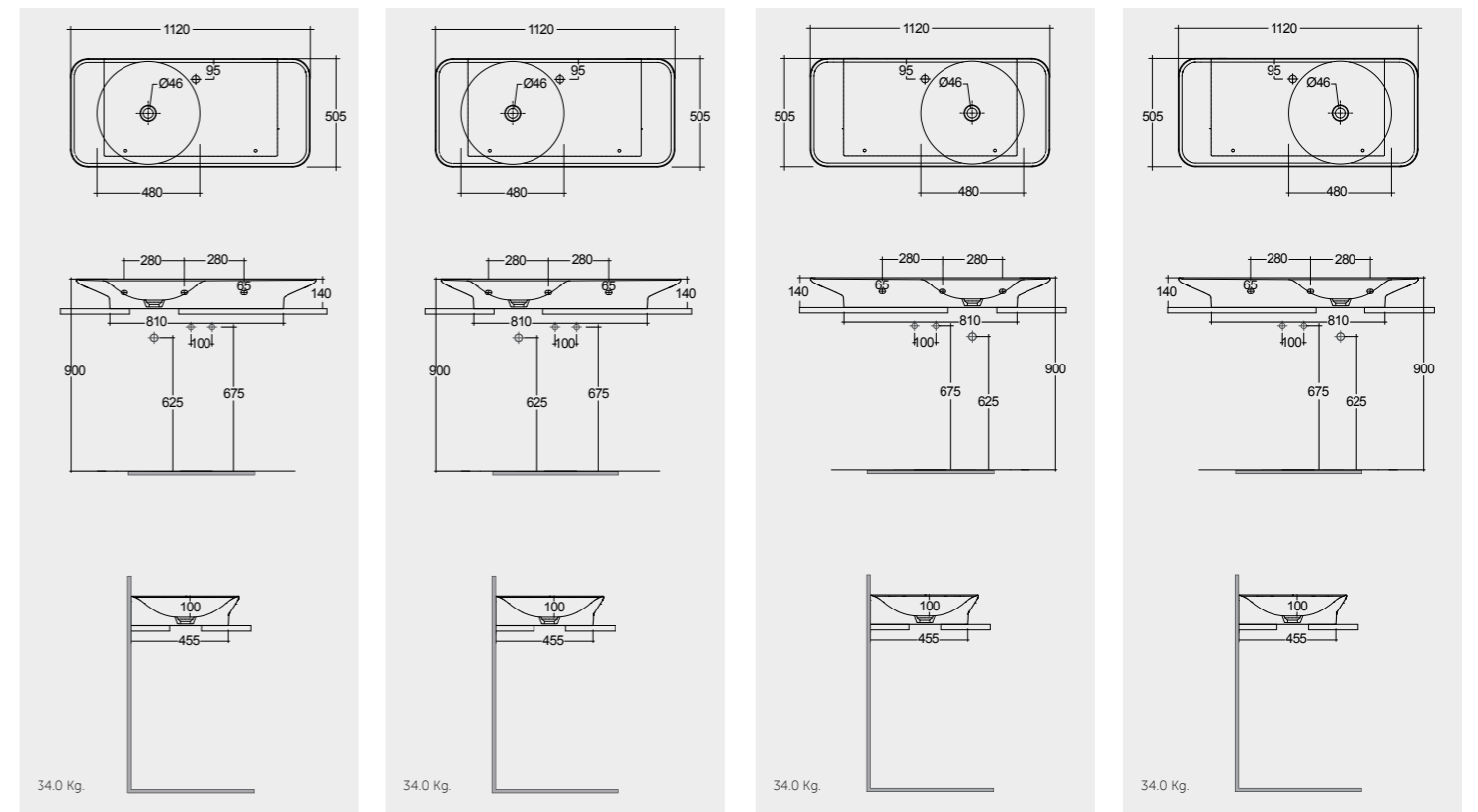
Drain not included

Drain not included

Drain not included

Drain not included

Measurements | Misure | Dimensions | Medidas | Abmessungen | Размеры



Note | Nota | Remarque | Notas | Hinweis | Примечание

All dimensions in mm tolerance  $\pm 5\%$  for below 200mm and  $\pm 3\%$  for above 200mm | Tutte le dimensioni hanno una tolleranza di  $\pm 5\%$  mm al di sotto dei 200mm e di  $\pm 3\%$  mm al di sopra dei 200mm | Toutes les dimensions en mm tolérance  $\pm 5\%$  pour moins de 200mm et  $\pm 3\%$  pour plus de 200mm | Todas las medidas en mm con tolerancia de 5% para menos de 200mm y 3% para más de 200mm | Alle Abmessungen in mm, Toleranz  $\pm 5\%$  für unter 200mm, und  $\pm 3\%$  für über 200mm | Все размеры указаны в мм, погрешность  $\pm 5\%$  ниже 200 мм и  $\pm 3\%$  выше 200 мм

Models | Modelli | Modèles | Modelos | Modelle | Модели



92 CM Right Ledge VALWB09200AWHA AWH  
 92 CM Right Ledge VALWB09200500A 500  
 92 CM Left Ledge VALWB09300AWHA AWH  
 92 CM Left Ledge VALWB09300500A 500

Matt Finish

Matt Finish

Drain not included

Drain not included

Drain not included

Drain not included

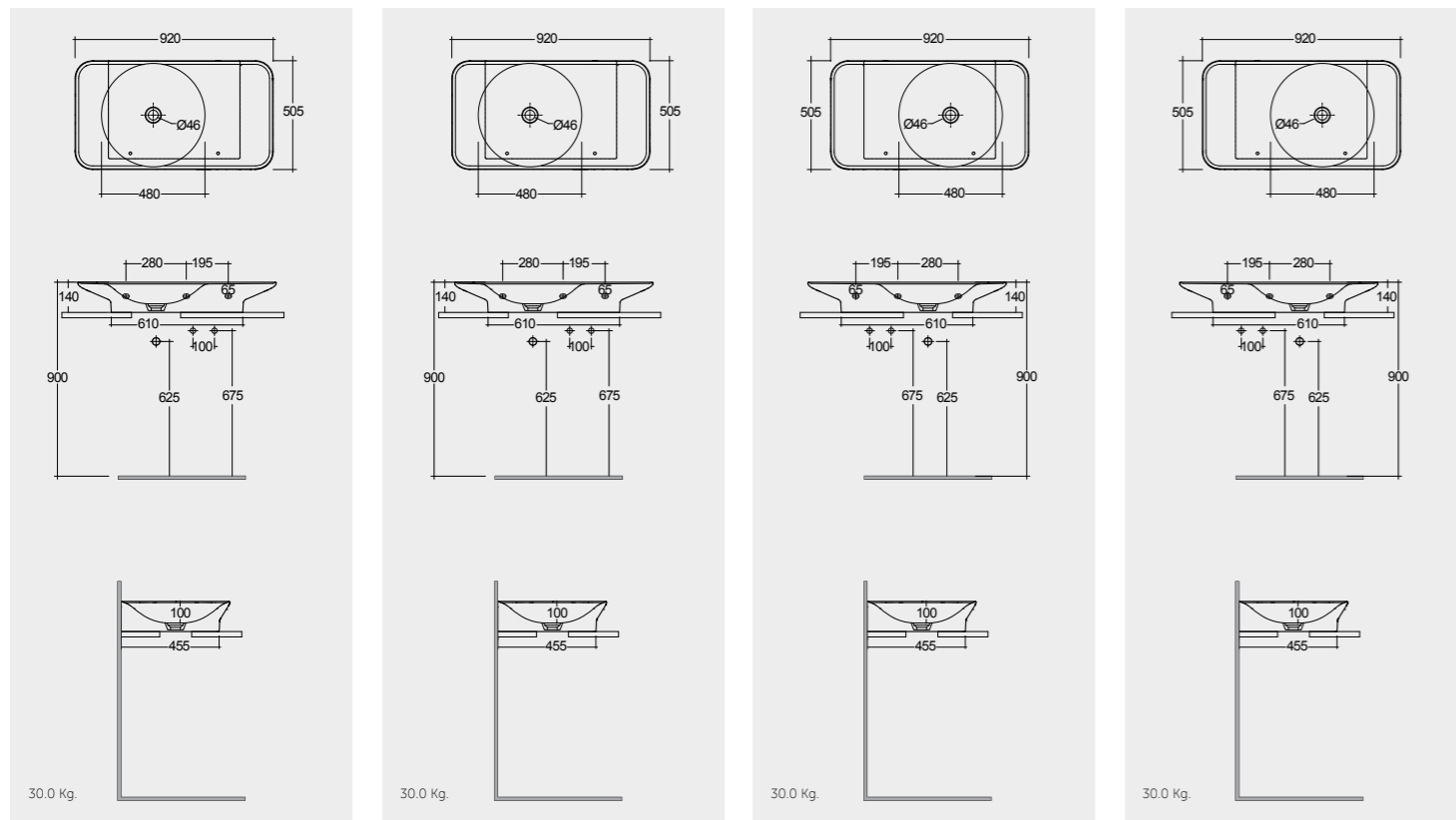
No Faucet Hole

No Faucet Hole

No Faucet Hole

No Faucet Hole

Measurements | Misure | Dimensions | Medidas | Abmessungen | Размеры



Models | Modelli | Modèles | Modelos | Modelle | Модели



112 CM Right Ledge VALWB11200AWHA AWH  
 112 CM Right Ledge VALWB11200500A 500  
 112 CM Left Ledge VALWB11300AWHA AWH  
 112 CM Left Ledge VALWB11300500A 500

Matt Finish

Matt Finish

Drain not included

Drain not included

Drain not included

Drain not included

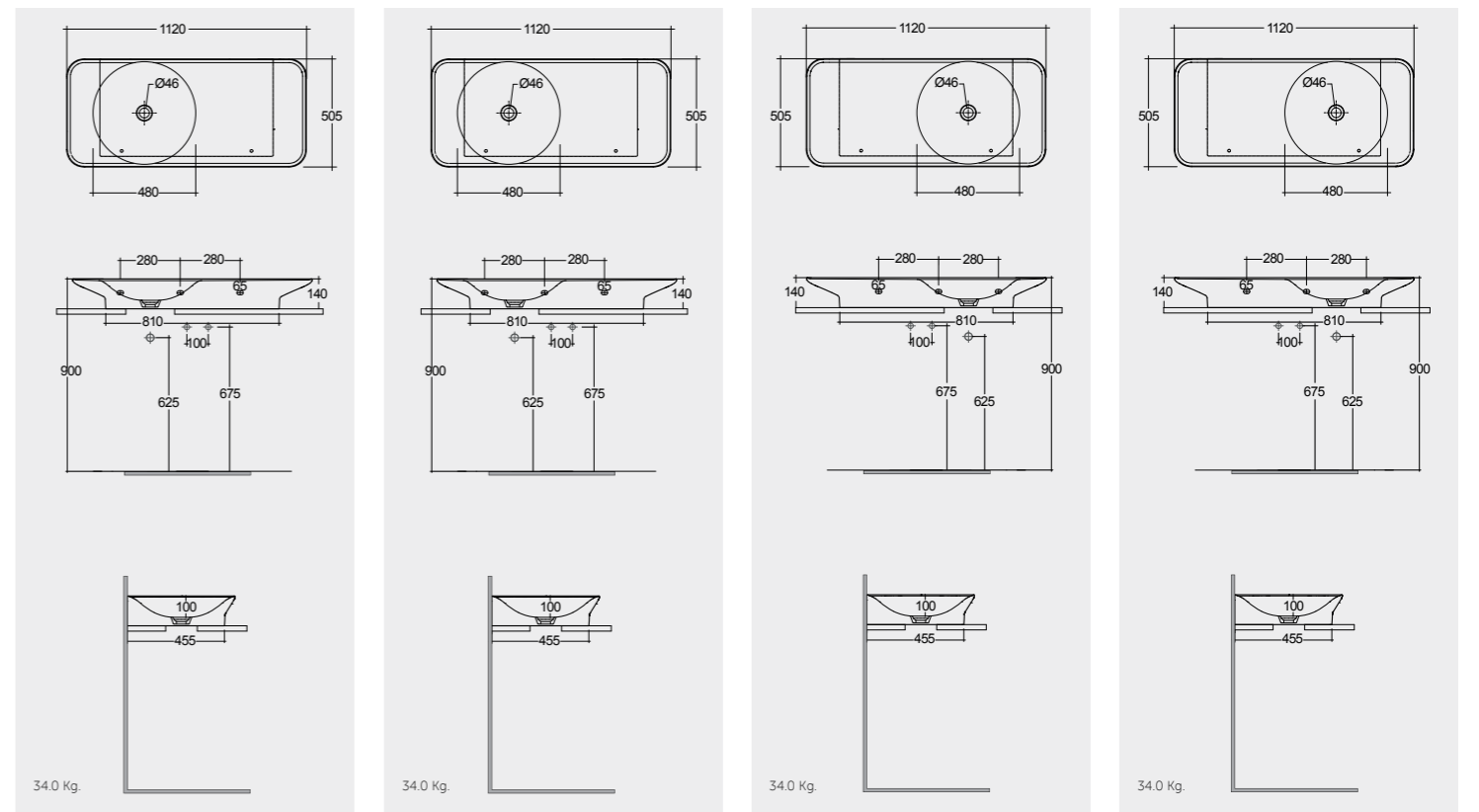
No Faucet Hole

No Faucet Hole

No Faucet Hole

No Faucet Hole

Measurements | Misure | Dimensions | Medidas | Abmessungen | Размеры



Note | Nota | Remarque | Notas | Hinweis | Примечание

All dimensions in mm tolerance  $\pm 5\%$  for below 200mm and  $\pm 3\%$  for above 200mm | Tutte le dimensioni hanno una tolleranza di  $\pm 5\%$  mm al di sotto dei 200mm e di  $\pm 3\%$  mm al di sopra dei 200mm | Toutes les dimensions en mm tolérance  $\pm 5\%$  pour moins de 200mm et  $\pm 3\%$  pour plus de 200mm | Todas las medidas en mm con tolerancia de 5% para menos de 200mm y 3% para más de 200mm | Alle Abmessungen in mm, Toleranz  $\pm 5\%$  für unter 200mm, und  $\pm 3\%$  für über 200mm | Все размеры указаны в мм, погрешность  $\pm 5\%$  ниже 200 мм и  $\pm 3\%$  выше 200 мм



# RAK-VALET WITH RAK-JOY UNO

RAK-Valet with RAK-Joy Uno



92 CM Right Ledge  
VALWB09201AWHA  
W 60 x D 46 x H 40CM  
UNOWH060UGY



92 CM Right Ledge  
VALWB09201500A  
W 60 x D 46 x H 40CM  
UNOWH060UGY



92 CM Left Ledge  
VALWB09301AWHA  
W 60 x D 46 x H 40CM  
UNOWH060UGY



92 CM Left Ledge  
VALWB09301500A  
W 60 x D 46 x H 40CM  
UNOWH060UGY



112 CM Right Ledge  
VALWB11201AWHA  
W 80 x D 46 x H 40CM  
UNOWH080UGY



112 CM Right Ledge  
VALWB11201500A  
W 80 x D 46 x H 40CM  
UNOWH080UGY



112 CM Left Ledge  
VALWB11301AWHA  
W 80 x D 46 x H 40CM  
UNOWH080UGY



112 CM Left Ledge  
VALWB11301500A  
W 80 x D 46 x H 40CM  
UNOWH080UGY



FOR VANITY (RAK-JOY UNO)  
PP WHITE : BTRWBPPR022

**RAK-JOY - COLORS AND FINISHES**

RAK-JOY - FINITURE E COLORI |  
RAK-JOY - FINITURES ET COULEURS |  
RAK-JOY - COLORES Y ACABADOS |  
RAK-JOY - OBERFLÄCHEN UND FARBEN |  
RAK-JOY - ЦВЕТА И ОТДЕЛКА



Inspectionable  
Space Saving



Models | Modelli | Modèles | Modelos | Modelle | Модели



48 CM VALCT4800AWHA AWH 48 CM VALCT4800500A 500 64 CM VALCT6400AWHA AWH 64 CM VALCT6400500A 500

Matt Finish

Matt Finish

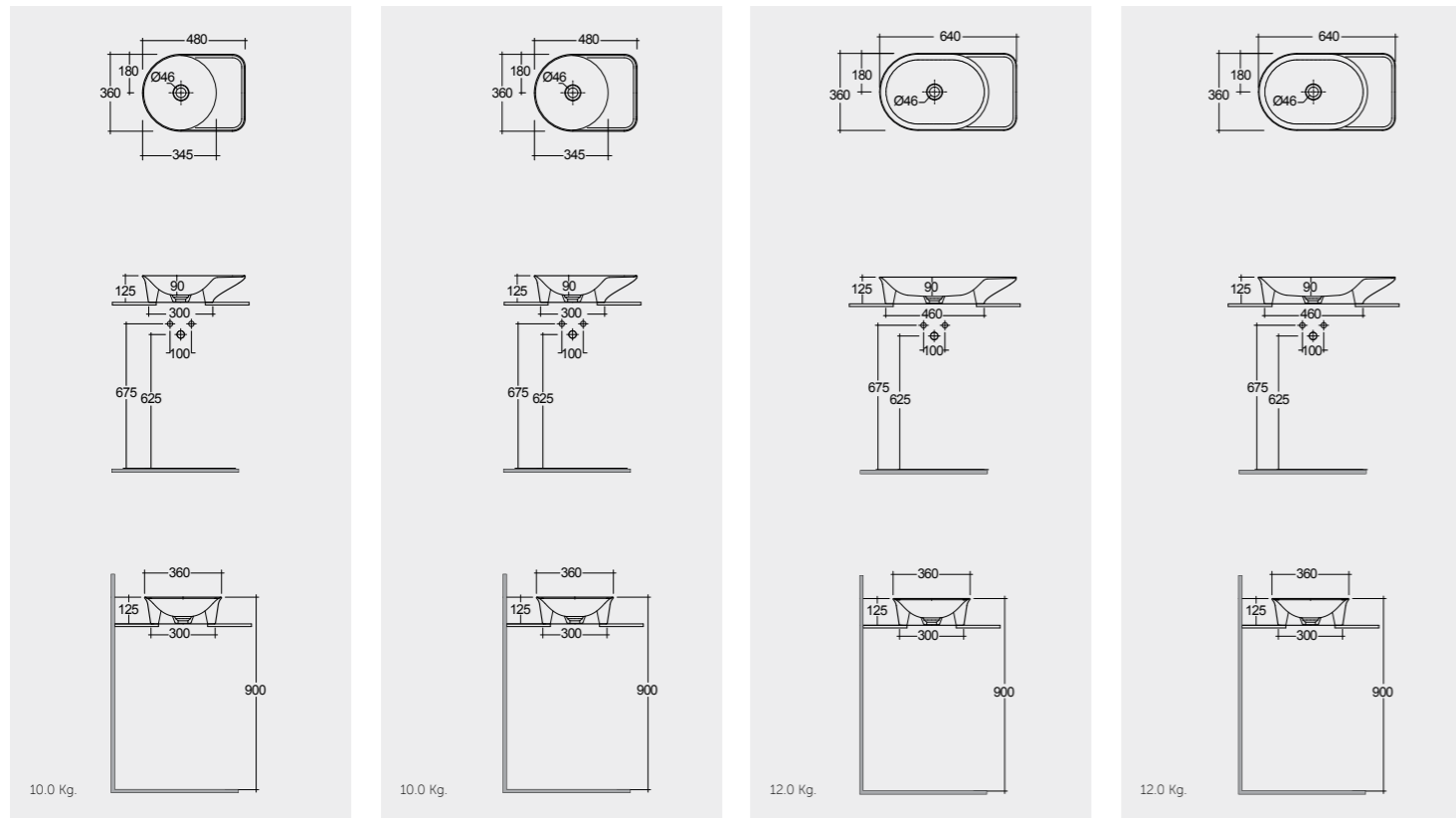
Drain not included

Drain not included

Drain not included

Drain not included

Measurements | Misure | Dimensions | Medidas | Abmessungen | Размеры



Note | Nota | Remarque | Notas | Hinweis | Примечание

All dimensions in mm tolerance  $\pm 5\%$  for below 200mm and  $\pm 3\%$  for above 200mm | Tutte le dimensioni hanno una tolleranza di  $\pm 5\%$  mm al di sotto dei 200mm e di  $\pm 3\%$  mm al di sopra dei 200mm | Toutes les dimensions en mm tolérance  $\pm 5\%$  pour moins de 200mm et  $\pm 3\%$  pour plus de 200mm | Todas las medidas en mm con tolerancia de 5% para menos de 200mm y 3% para más de 200mm | Alle Abmessungen in mm, Toleranz  $\pm 5\%$  für unter 200mm, und  $\pm 3\%$  für über 200mm | Все размеры указаны в мм, погрешность  $\pm 5\%$  ниже 200 мм и  $\pm 3\%$  выше 200 мм

Models | Modelli | Modèles | Modelos | Modelle | Модели



CLICK-CLACK ALPINE WHITE: DUO000AWHA

FREE-FLOW ALPINE WHITE: DUO002AWHA

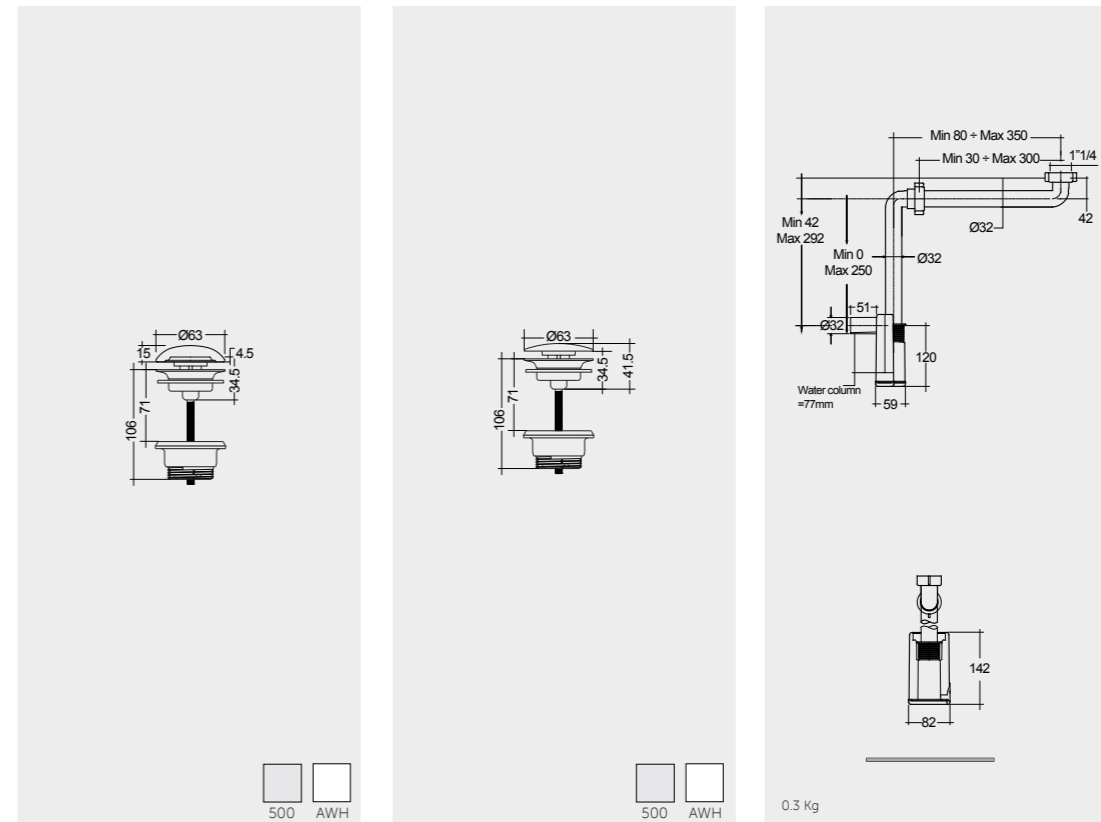
FOR VANITY PP WHITE : BTRWBPPR022

CLICK-CLACK MATT WHITE: DUO000500A

FREE-FLOW MATT WHITE: DUO002500A

Inspectionable  
Space Saving

Measurements | Misure | Dimensions | Medidas | Abmessungen | Размеры



# RAK-VALET WITH RAK-PLANO SURFACES



61 CM  
PLASL06146EGY

Suitable for RAK-Valet WB :  
48 CM



81 CM  
PLASL08146EGY

Suitable for RAK-Valet WB :  
48, 64 CM



101 CM  
PLASL10146EGY

Suitable for RAK-Valet WB :  
48, 64 CM



121 CM  
PLASL12146EGY

Suitable for RAK-Valet WB :  
48 CM



141 CM  
PLASL14146EGY

Suitable for RAK-Valet WB :  
48, 64 CM



161 CM  
PLASL16146EGY

Suitable for RAK-Valet WB :  
48, 64 CM



181 CM  
PLASL18146EGY

Suitable for RAK-Valet WB :  
48, 64 CM

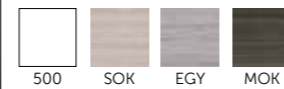


201 CM  
PLASL20146EGY

Suitable for RAK-Valet WB :  
48, 64 CM

### RAK-PLANO - COLORS AND FINISHES

RAK-PLANO - FINITURE E COLORI |  
RAK-PLANO - FINITURES ET COULEURS |  
RAK-PLANO - COLORES Y ACABADOS |  
RAK-PLANO - OBERFLÄCHEN UND FARBEN |  
RAK-PLANO - ЦВЕТА И ОТДЕЛКА



FOR VANITY (RAK-JOY UNO)  
PP WHITE : BTRWBPPR022



RAK-PLANO  
COUNTER TOP SURFACES

# RAK-VALET WITH RAK-PRECIOUS SURFACES



63 CM  
PRESL06347102A

Suitable for RAK-Valet WB :  
48 CM



83 CM  
PRESL08347102A

Suitable for RAK-Valet WB :  
48, 64 CM



103 CM  
PRESL10347102A

Suitable for RAK-Valet WB :  
48, 64 CM



123 CM  
PRESL12347102A

Suitable for RAK-Valet WB :  
48 CM



163 CM  
PRESL16347102A

Suitable for RAK-Valet WB :  
48, 64 CM



FOR VANITY (RAK-JOY UNO)  
PP WHITE : BTRWBPPR022

Inspectionable  
Space Saving



203 CM  
PRESL20347102A

Suitable for RAK-Valet WB :  
48, 64 CM

## RAK-PRECIOUS - COLORS AND FINISHES

RAK-PRECIOUS - FINITURE E COLORI | RAK-PRECIOUS - FINITURES ET COULEURS  
| RAK-PRECIOUS - COLORES Y ACABADOS | RAK-PRECIOUS - OBERFLÄCHEN UND FARBEN | RAK-PRECIOUS - ЦВЕТА И ОТДЕЛКА

- |                                      |  |
|--------------------------------------|--|
| 100<br>CARRARA<br>(LAPPATO)          | 103<br>SURFACE XL COOL GREY<br>(NATURAL) |
| 101<br>MACAUBAS<br>(NATURAL)         | 104<br>BEHIND GREY<br>(NATURAL)          |
| 102<br>TRAVERTINO IVORY<br>(LAPPATO) | 105<br>UNI DARK BLACK<br>(NATURAL)       |





 92 CM Right Ledge VALWB09201AWHA
  For wash basin 92 CM METLG002504
  56 CM VALWC1446AWHA



# RAK-VALET METAL LEGS & TOWEL HOLDERS

Models | Modelli | Modèles | Modelos | Modelle | Модели



For wash basin 92 CM  
METLG002504



For wash basin 112 CM  
METLG002504



For wash basin 92 CM  
METTR001504



For wash basin 112 CM  
METTR002504

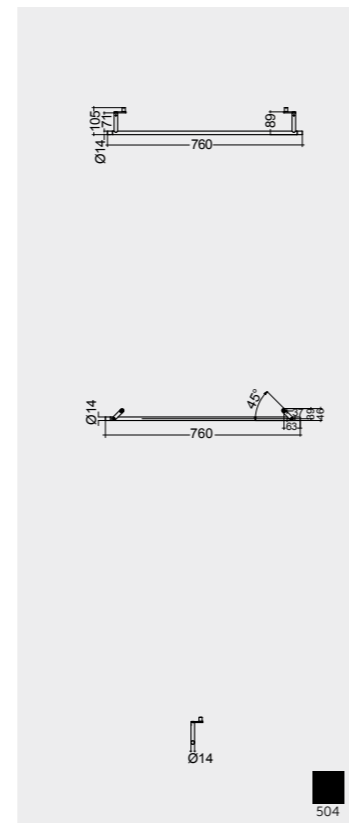
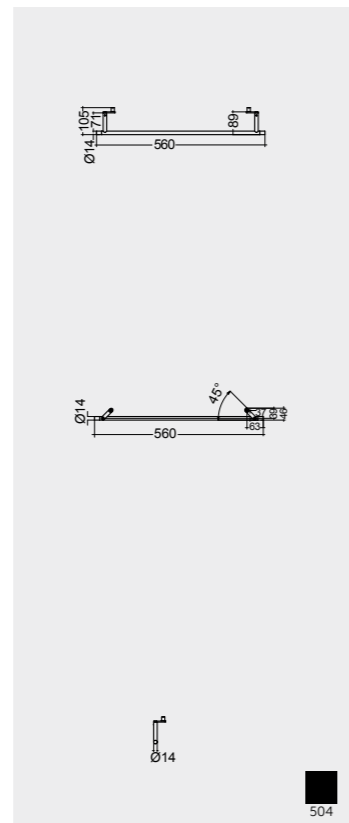
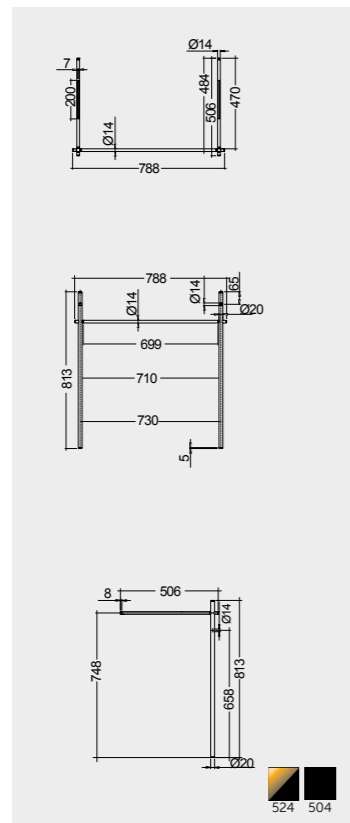
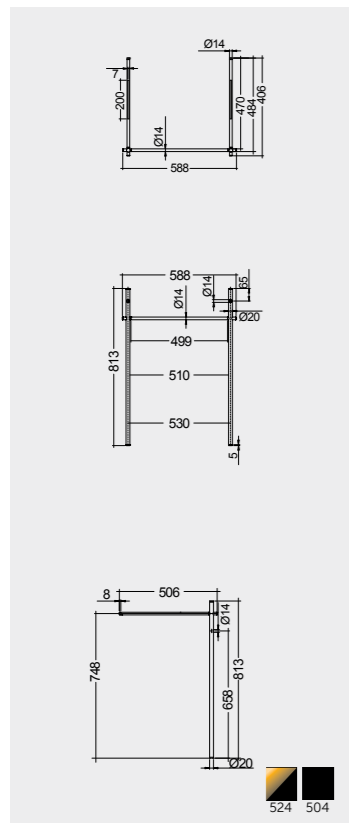
Washbasin installation height at 89,5cm

Washbasin installation height at 89,5cm

Horizontal bar included for size 92 & 112 cm

Horizontal bar included for size 92 & 112 cm

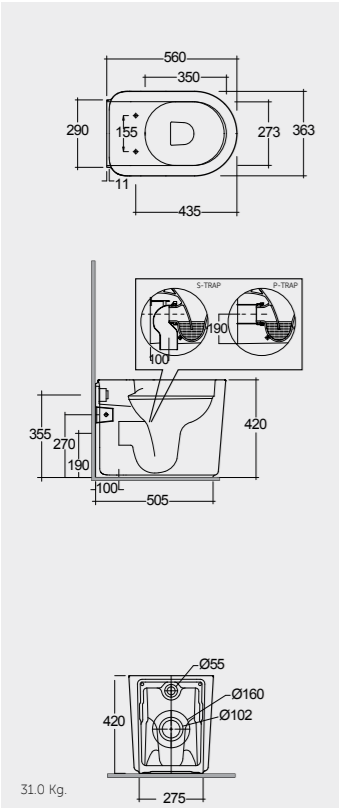
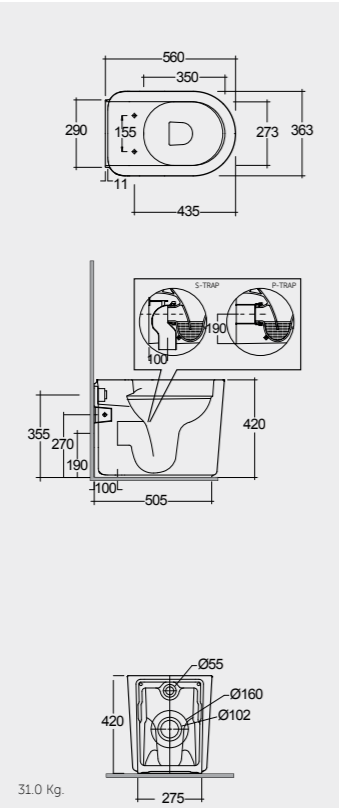
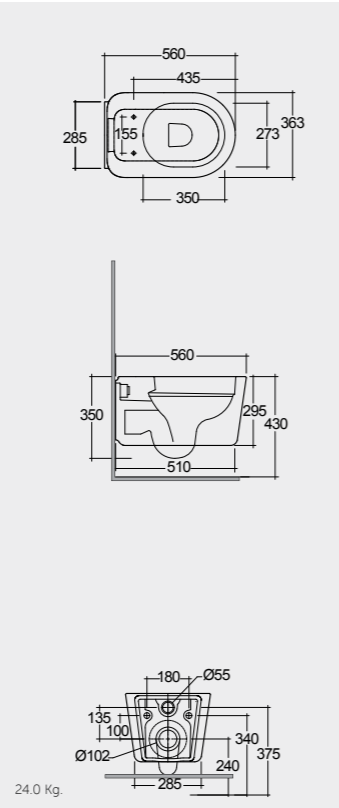
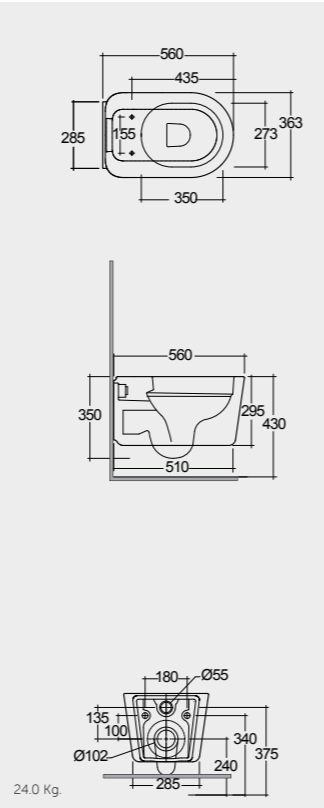


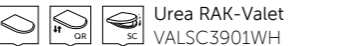

Measurements | Misure | Dimensions | Medidas | Abmessungen | Размеры



Models | Modelli | Modèles | Modelos | Modelle | Модели

 <p>Rimless</p>	 <p>Rimless</p>	 <p>Rimless</p>	 <p>Rimless</p>
 <p>56 CM VALWC1347AWHA</p>	 <p>56 CM VALWC1347500A</p>	 <p>56 CM VALWC1446AWHA</p>	 <p>56 CM VALWC1446500A</p>
 <p>AWH</p>	 <p>AWH</p>	 <p>AWH</p>	 <p>AWH</p>
<p>Hidden Fixations</p> <p>Comfort Height 42 CM</p>	<p>Hidden Fixations</p> <p>Comfort Height 42 CM</p>	<p>Hidden Fixations</p>	<p>Hidden Fixations</p>

Measurements | Misure | Dimensions | Medidas | Abmessungen | Размеры

 <p>31.0 Kg.</p>	 <p>31.0 Kg.</p>	 <p>24.0 Kg.</p>	 <p>24.0 Kg.</p>
 <p>Urea RAK-Valet VALSC3901WH</p>	 <p>Urea RAK-Valet VALSC3901500</p>	 <p>Urea RAK-Valet VALSC3901WH</p>	 <p>Urea RAK-Valet VALSC3901500</p>

Note | Nota | Remarque | Notas | Hinweis | Примечание

All dimensions in mm tolerance  $\pm 5\%$  for below 200mm and  $\pm 3\%$  for above 200mm | Tutte le dimensioni hanno una tolleranza di  $\pm 5\%$  mm al di sotto dei 200mm e di  $\pm 3\%$  mm al di sopra dei 200mm | Toutes les dimensions en mm tolérance  $\pm 5\%$  pour moins de 200mm et  $\pm 3\%$  pour plus de 200mm | Todas las medidas en mm con tolerancia de 5% para menos de 200mm y 3% para más de 200mm | Alle Abmessungen in mm, Toleranz  $\pm 5\%$  für unter 200mm, und  $\pm 3\%$  für über 200mm | Все размеры указаны в мм, погрешность  $\pm 5\%$  ниже 200 мм и  $\pm 3\%$  выше 200 мм



Models | Modelli | Modèles | Modelos | Modelle | Модели



56 CM  
VALBD2017AWHA



Hidden Fixations  
Comfort Height 42 CM



56 CM  
VALBD2017500A



Hidden Fixations  
Comfort Height 42 CM



56 CM  
VALBD2101AWHA



Hidden Fixations

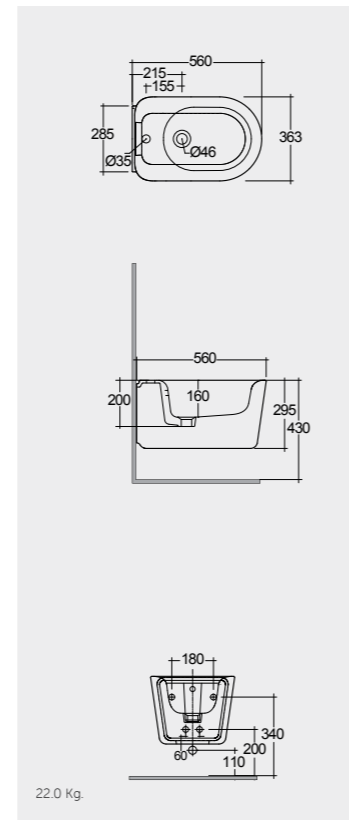
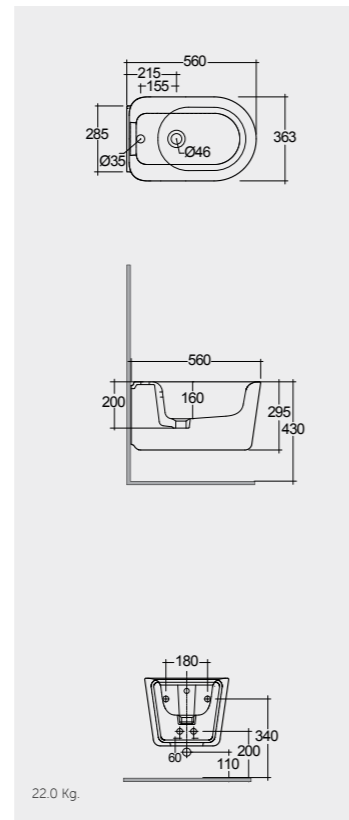
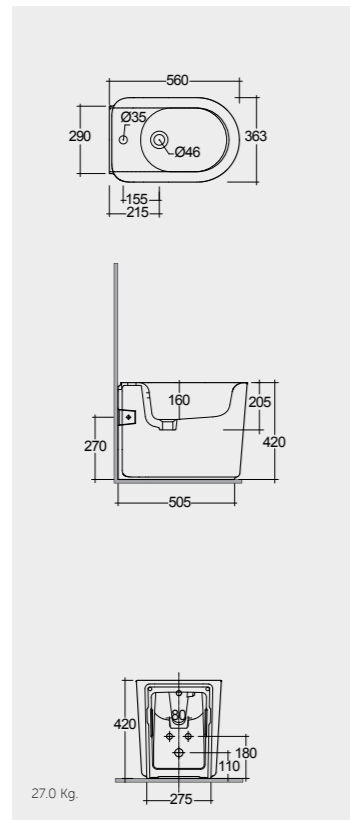
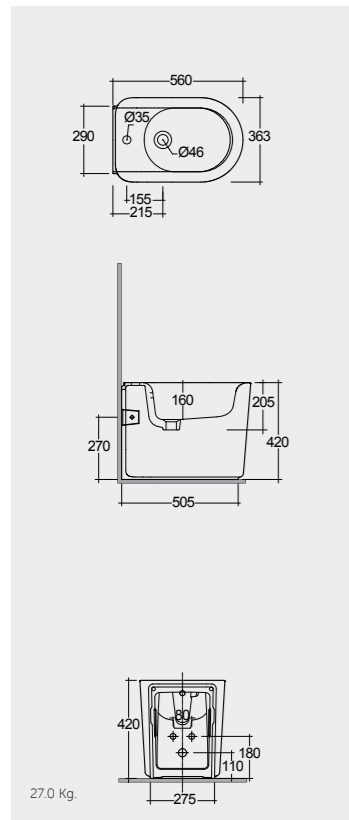


56 CM  
VALBD2101500A



Hidden Fixations

Measurements | Misure | Dimensions | Medidas | Abmessungen | Размеры



Note | Nota | Remarque | Notas | Hinweis | Примечание

All dimensions in mm tolerance  $\pm 5\%$  for below 200mm and  $\pm 3\%$  for above 200mm | Tutte le dimensioni hanno una tolleranza di  $\pm 5\%$  mm al di sotto dei 200mm e di  $\pm 3\%$  mm al di sopra dei 200mm | Toutes les dimensions en mm tolérance  $\pm 5\%$  pour moins de 200mm et  $\pm 3\%$  pour plus de 200mm | Todas las medidas en mm con tolerancia de 5% para menos de 200mm y 3% para más de 200mm | Alle Abmessungen in mm, Toleranz  $\pm 5\%$  für unter 200mm, und  $\pm 3\%$  für über 200mm | Все размеры указаны в мм, погрешность  $\pm 5\%$  ниже 200 мм и  $\pm 3\%$  выше 200 мм

Models | Modelli | Modèles | Modelos | Modelle | Модели



FOR BIDET  
ABS CHROME : BTRBDABS010

Inspectionable



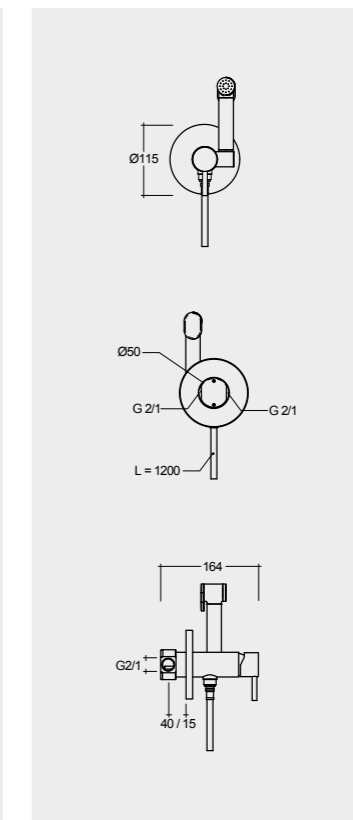
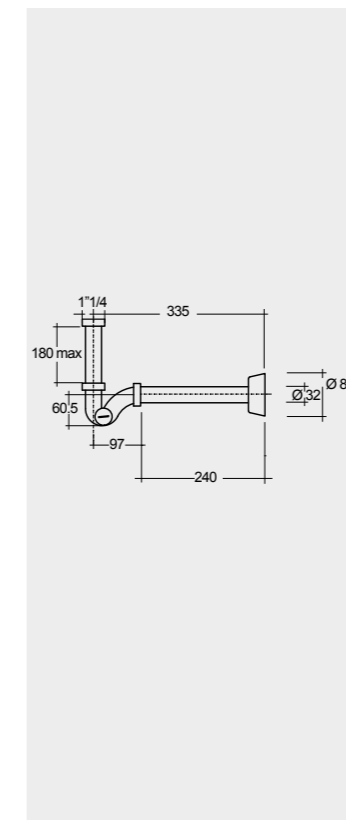
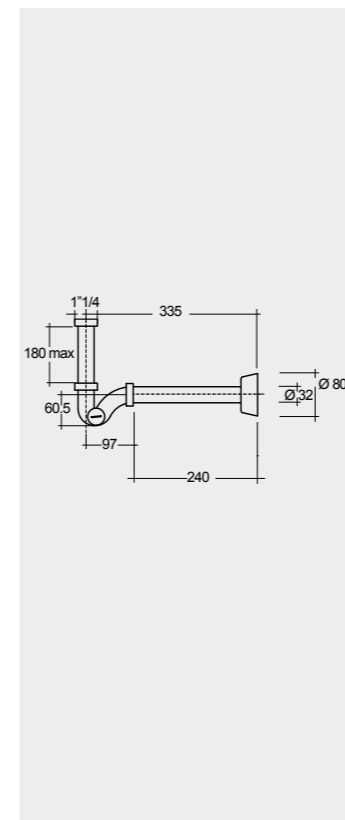
FOR BIDET  
PP WHITE : BTRBDPPR011

Inspectionable



SET WITH MIXER (SHATAFF)  
BRASS CHROME : SPRDOMX0001

Measurements | Misure | Dimensions | Medidas | Abmessungen | Размеры







# RAK-CLOUD



The new **RAK-Cloud** concept is the beginning of a collaboration with the Italian designer Giuseppe Maurizio Scutellà. Fluid lines inspired by geometric swirls combined with changing shapes like clouds lend themselves to multiple interpretations and play with light, producing a soft enveloping effect, culminating in a sophisticated but at the same time functional and welcoming bathroom.

All this makes **RAK-Cloud** a concept with a soul, capable of telling a unique and inimitable story. Back to wall, or wall-hung sanitaryware, elegant freestanding bathtubs and washbasins, softly curved bowls or wall solutions for every need.

With **RAK-Cloud**, the hallmark of the Italian designer inspires and enhances the imagination of the most demanding and visionary interior designers to create beautiful bathrooms.



## Design by Giuseppe Maurizio Scutellà

Giuseppe Maurizio Scutellà was born in Alcamo, Sicily. His collaboration with RAK Ceramics begins with RAK-Cloud (2018), a project that continues the creative thinking of the Italian designer and that integrates perfectly with his other projects such as the collection of lamps "Pirce" by Artemide (Good\_Design 2008, Red Dot Award 2009, IF Design Award 2010) and the "Metropolis" collection of crystal and ceramic tables by Tonelli Design.

"I like to talk with the soul of all my projects, discover its history and capturing the most hidden hues of its character, respecting its nature and embracing its languages. It is my way of approaching its magical essence and becoming its interpreter".



*Giuseppe Maurizio Scutellà*

## Rimless technology

RAK Ceramics delivers the ultimate in technology for bathroom suites. Based on similar design specifications to sanitaryware in hospitals and medical centres, RAK Ceramics Rimless water closets allows you to experience the same high standards of hygiene in your own home.

RAK Ceramics continues to set new standards of hygiene and water efficiency in the sanitaryware industry, with uniquely engineered water flushing systems that effectively remove waste, helping to keep bathrooms fresh and hygienic.

### **WATER SAVING**

Using just 4 litres for the full flush and 2.5 litres for the half flush, water usage is reduced by a third.

### **HYGIENIC AND EASY TO CLEAN**

The water closets have no rims to harbour germs, making cleaning quick, easy and more hygienic.

### **SILENT FLUSH**

Rimless technology allows a faster and more silent flush.

### **EFFICIENT DESIGN**

Design and efficiency can be successfully combined. Water flows vertically and horizontally, before flushing the entire inner surface of the bowl, without splashing.



Water Saving



Easy Cleaning



Silent



Hygienic



No ledges or rim





Rimless

## Hidden fixation systems


Our wall hung and back to wall products are benefitting of the collaboration with Fischer Group, one of the industry leaders. The use of the most innovative Fischer fixing systems, is allowing us design freedom on the ceramic, better aesthetics and more safety for the installer.

The Hidden Fixation System is comfortable and time saving, in fact one-man installation is made possible by the clip system that keeps the ceramic held up during the installation.

**fischer**  *innovative solutions*



No Lateral Holes



FOR BACK TO WALL AND FREE STANDING

FOR WALL HUNG

RAK CERAMICS | 2021



78x46 CM  
CLOMR07846



50 CM  
CLOFSS001500A



140x75 CM  
CLOBT14075500




500



 170x79 CM  
CLOMR17079


 58 CM

 58 CM  
CLOCT6000504A


 56 CM

 56 CM  
CLOWC1346504A

 56 CM


 56 CM  
CLOWC1446504A

 140X75 CM


 140X75 CM  
CLOBT14075505


 504




 78x46 CM  
CLOMR07846




 65 CM  
CLOWB6501AWHA

 56 CM  
CLOWC1446AWHA



 56 CM  
CLOBD2101AWHA



 140X75 CM  
CLOBT14075505



505





50 CM CLOFS5001AWHA  
AWH

78x46 CM CLOMR07846  
CLOMR

Models | Modelli | Modèles | Modelos | Modelle | Модели



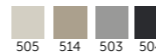
140X75 CM  
CLOBT14075500

Drain Included

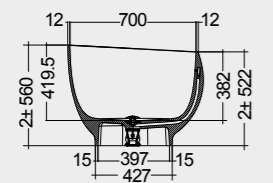
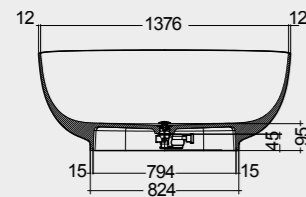
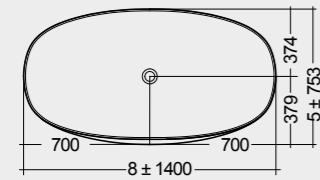


140X75 CM  
CLOBT14075505

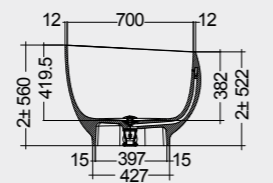
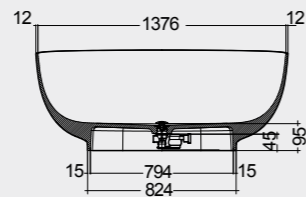
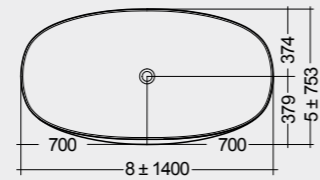
Drain Included



Measurements | Misure | Dimensions | Medidas | Abmessungen | Размеры



125 kg  
172 L Capacity



125 kg  
172 L Capacity

Note | Nota | Remarque | Notas | Hinweis | Примечание

All dimensions in mm tolerance  $\pm 5\%$  for below 200mm and  $\pm 3\%$  for above 200mm | Tutte le dimensioni hanno una tolleranza di  $\pm 5\%$  mm al di sotto dei 200mm e di  $\pm 3\%$  mm al di sopra dei 200mm | Toutes les dimensions en mm tolérance  $\pm 5\%$  pour moins de 200mm et  $\pm 3\%$  pour plus de 200mm | Todas las medidas en mm con tolerancia de 5% para menos de 200mm y 3% para más de 200mm | Alle Abmessungen in mm, Toleranz  $\pm 5\%$  für unter 200mm, und  $\pm 3\%$  für über 200mm | Все размеры указаны в мм, погрешность  $\pm 5\%$  ниже 200 мм и  $\pm 3\%$  выше 200 мм



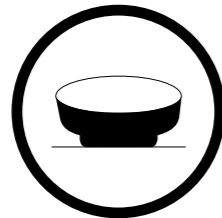
## RAKSOLID: DESIGN AND FUNCTIONALITY

RAKSOLID: STILE E FUNZIONALITA' | RAKSOLID: STYLE ET FONCTIONNALITÉ | RAKSOLID: DISEÑO Y FUNCIONALIDAD | RAKSOLID: STIL UND FUNKTIONALITÄT | RAKSOLID: ДИЗАЙН И ФУНКЦИОНАЛЬНОСТЬ

RAK-Cloud bathtubs are made of RAKSOLID, a durable material composed of a mixture of natural minerals and resins. The elegant matte white finish gives a distinctive feel to the bathing area, as well as a pleasant to the touch and more anti-slip safety.



**PLEASANT TO TOUCH**  
PIACEVOLE AL TATTO  
AGRÉABLE À TOUCHER  
AGRADABLE AL TACTO  
ANGENEHM ZUM TASTEN  
ПРИЯТНО ПРИКАСАТЬСЯ



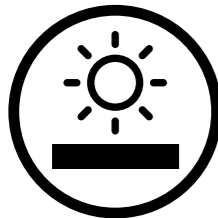
**EXTERNAL LACQUERING**  
LACCATURA ESTERNA  
LAQUAGE EXTÉRIEUR  
LACADO EXTERNO  
АУСSENЛАКИРОВКА  
ВНЕШНЯЯ ЛАКИРОВКА



**HYGIENIC AND BACTERIOSTATIC**  
IGIENICO E BATTERIOSTATICO  
HYGIÉNIQUE ET BACTÉRIOSTATIQUE  
HIGIENICO Y ANTIBACTERIAL  
HYGIENISCH UND BAKTERIOSTATISCH  
ГИГИЕНИЧНЫЙ И БАКТЕРИОСТАТИЧЕСКИЙ



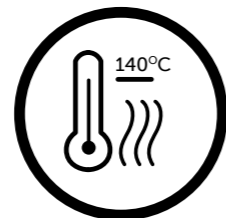
**SLIP RESISTANCE**  
ANTISCIVOLO  
ANTI GLISSANT  
ANTI-CAIDA  
RUTSCHFEST  
ПРОТИВОСКОЛЬЖЕНИЕ



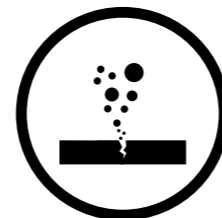
**LIGHT FASTNESS**  
RESISTENTE ALLE VARIAZIONI DI LUCE  
RÉSISTANT AUX VARIATIONS DE LUMIÈRE  
RESISTENTE A LAS VARIACIONES DE LA LUZ  
RESISTENT GEGEN LICHTWECHSELWIRKUNGEN  
СТОЙКАЯ К ВЫЦВЕТАНИЮ ПОВЕРХНОСТЬ



**RESISTANT TO CHEMICAL PRODUCTS**  
RESISTENTE AI PRODOTTI CHIMICI  
RÉSISTANT AUX PRODUITS CHIMIQUES  
RESISTENTE A PRODUCTOS QUIMICOS  
RESISTENT GEGEN CHEMISCHE PRODUKTE  
УСТОЙЧИВОСТЬ К ХИМИЧЕСКИМ ПРОДУКТАМ



**HEAT RESISTANT UP TO 140°C**  
RESISTENZA AL CALORE FINO A 140°  
RÉSISTANCE À LA CHALEUR JUSQU'À 140°  
RESISTE A CALOR INTENSO HASTA 1400 C  
HITZBESTÄNDIGKEIT BIS 140°  
СОПРОТИВЛЯЕМОСТЬ НАГРЕВУ (ДО 140°C)



**REPAIR**  
RIPARABILE IN CASO DI GRAFFI  
RÉPARABLES EN CAS D'ÉGRATIGNURES  
REPARABLE EN CAS DE RAYONES  
REPARIERBAR BEI KRATZERN  
ВОЗМОЖНОСТЬ РЕМОНТА



MATT WHITE (500)

MATT GREIGE (505)

RAK  
CERAMICS

RAK  
CERAMICS

MATT CAPPUCCINO (514)



MATT GREY (503)

RAK  
CERAMICS

MATT BLACK (504)

Models | Modelli | Modèles | Modelos | Modelle | Модели

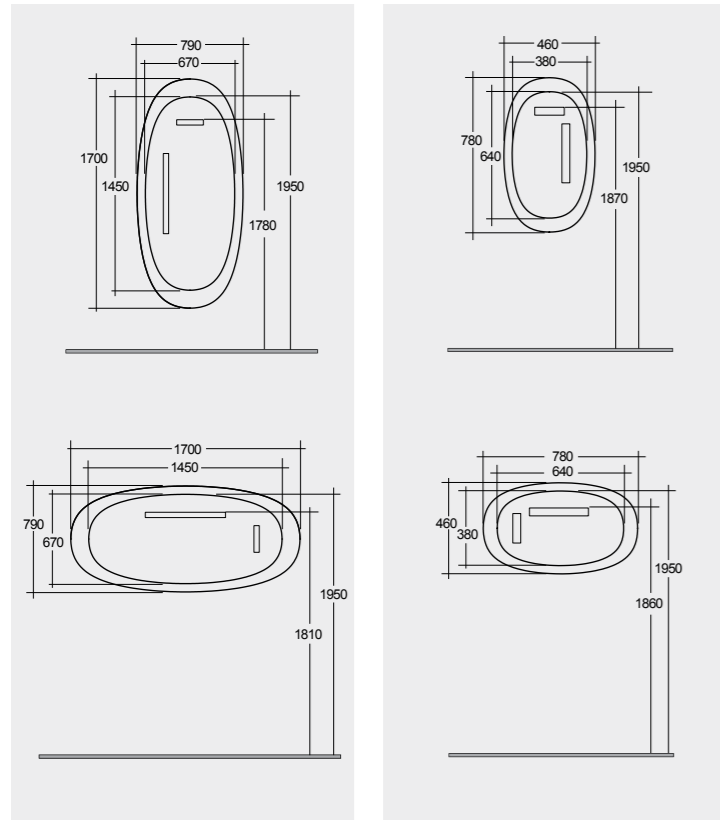


  170x79 CM  
CLOMR17079



  78x46 CM  
CLOMR07846

Measurements | Misure | Dimensions | Medidas | Abmessungen | Размеры



Note | Nota | Remarque | Notas | Hinweis | Примечание

All dimensions in mm tolerance  $\pm 5\%$  for below 200mm and  $\pm 3\%$  for above 200mm | Tutte le dimensioni hanno una tolleranza di  $\pm 5\%$  mm al di sotto dei 200mm e di  $\pm 3\%$  mm al di sopra dei 200mm | Toutes les dimensions en mm tolérance  $\pm 5\%$  pour moins de 200mm et  $\pm 3\%$  pour plus de 200mm | Todas las medidas en mm con tolerancia de 5% para menos de 200mm y 3% para más de 200mm | Alle Abmessungen in mm, Toleranz  $\pm 5\%$  für unter 200mm, und  $\pm 3\%$  für über 200mm | Все размеры указаны в мм, погрешность  $\pm 5\%$  ниже 200 мм и  $\pm 3\%$  выше 200 мм



## CHOOSE YOUR CLOUD

RAK-Cloud models are all available in 3 finishes:

- Matt White
- Matt Black
- Glossy Alpine White



MATT WHITE

MATT BLACK

ALPINE  
WHITE

I modelli RAK-Cloud sono disponibili in 3 finiture:

- Bianco Opaco
- Nero opaco
- Bianco Alpino Lucido

Les modèles RAK-Cloud sont disponible en 3 finitions:

- Bianco matt
- Noir mat
- Bianco Alpino poli

Los modelos RAK-Cloud estan disponibles en 3 acabados:

- Blanco Matte
- Negro mate
- Blanco Alpino

Die RAK-Cloud Produkte sind in folgende Oberflächen verfügbar:

- Bianco matt
- Mattschwarz
- Bianco Alpino glänzend

Модели RAK-Cloud поставляются в 3 вариантах отделки:

- Белый матовый
- Матовый черный
- Белый альпийский глянцевый

Models | Modelli | Modèles | Modelos | Modelle | Модели



50 CM  
CLOFS5001AWHA  
Drain Cover: CLOAC4400AWHA



50 CM  
CLOFS5001500A  
Drain Cover: CLOAC4400500A



50 CM  
CLOFS5001504A  
Drain Cover: CLOAC4400504A



FOR WASH BASIN  
PP WHITE : BTRWBPPR020

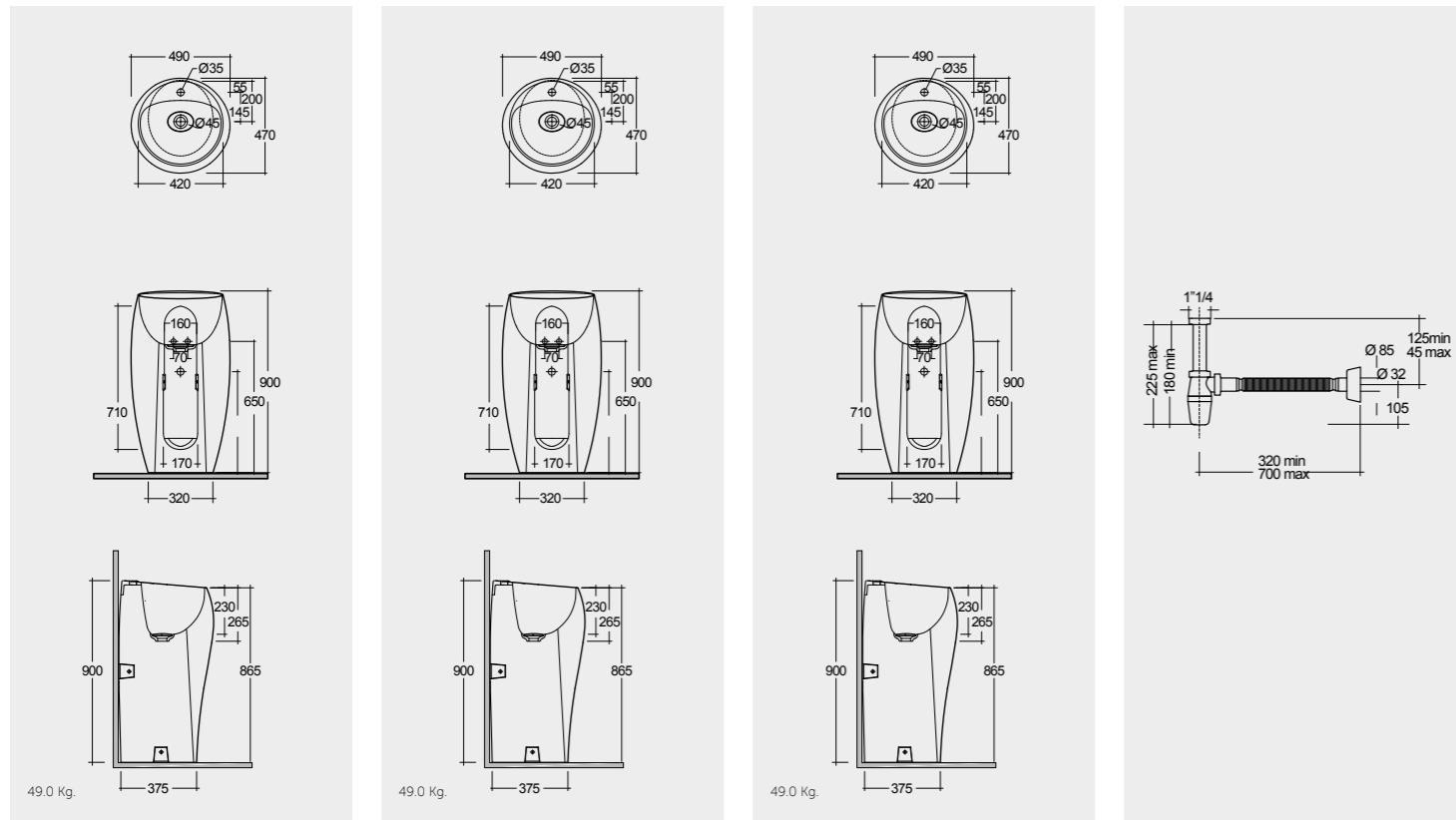
Hidden Fixations  
Drain Not Included

Matt Finish  
Hidden Fixations  
Drain Not Included

Matt Finish  
Hidden Fixations  
Drain Not Included

With Flexible Hose  
Inspectionable

Measurements | Misure | Dimensions | Medidas | Abmessungen | Размеры



Note | Nota | Remarque | Notas | Hinweis | Примечание

All dimensions in mm tolerance  $\pm 5\%$  for below 200mm and  $\pm 3\%$  for above 200mm | Tutte le dimensioni hanno una tolleranza di  $\pm 5\%$  mm al di sotto dei 200mm e di  $\pm 3\%$  mm al di sopra dei 200mm | Toutes les dimensions en mm tolérance  $\pm 5\%$  pour moins de 200mm et  $\pm 3\%$  pour plus de 200mm | Todas las medidas en mm con tolerancia de 5% para menos de 200mm y 3% para más de 200mm | Alle Abmessungen in mm, Toleranz  $\pm 5\%$  für unter 200mm, und  $\pm 3\%$  für über 200mm | Все размеры указаны в мм, погрешность  $\pm 5\%$  ниже 200 мм и  $\pm 3\%$  выше 200 мм



# RAK-CLOUD

Models | Modelli | Modèles | Modelos | Modelle | Модели



58 CM  
CLOCT6000AWHA  
Drain Cover: CLOAC4400AWHA



58 CM  
CLOCT6000500A  
Drain Cover: CLOAC4400500A



58 CM  
CLOCT6000504A  
Drain Cover: CLOAC4400504A



Free-Flow Waste  
DUO002444

Drain Not Included

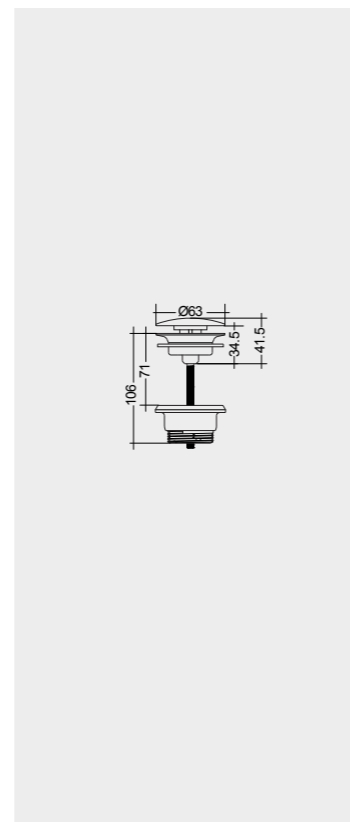
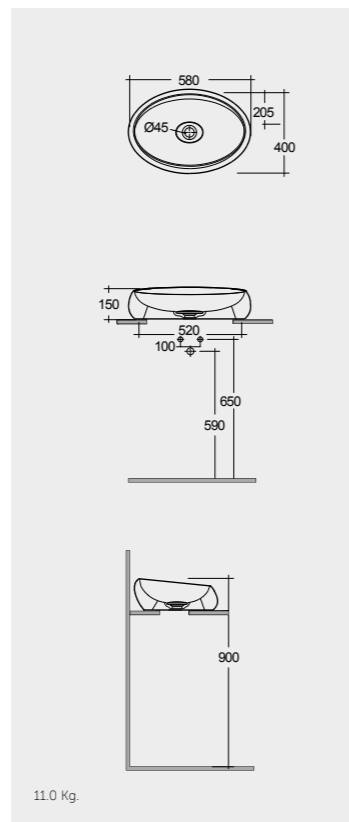
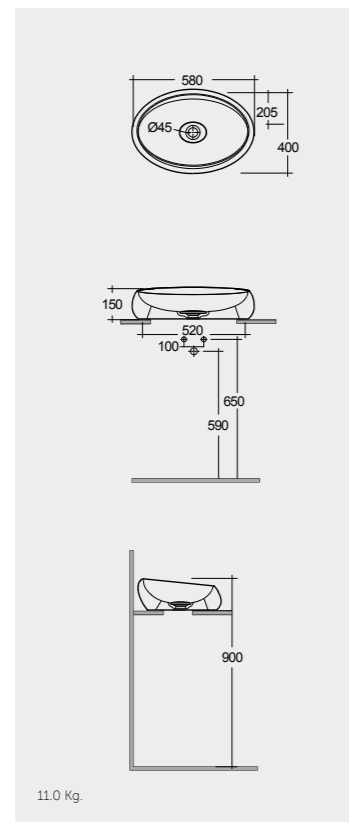
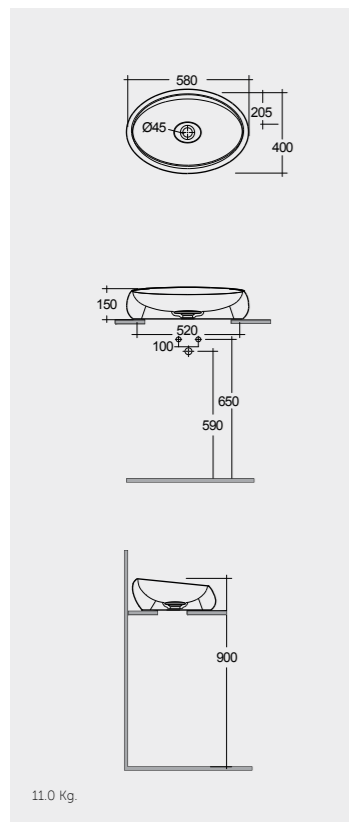
Matt Finish

Drain Not Included

Matt Finish

Drain Not Included

Measurements | Misure | Dimensions | Medidas | Abmessungen | Размеры



Note | Nota | Remarque | Notas | Hinweis | Примечание

All dimensions in mm tolerance  $\pm 5\%$  for below 200mm and  $\pm 3\%$  for above 200mm | Tutte le dimensioni hanno una tolleranza di  $\pm 5\%$  mm al di sotto dei 200mm e di  $\pm 3\%$  mm al di sopra dei 200mm | Toutes les dimensions en mm tolérance  $\pm 5\%$  pour moins de 200mm et  $\pm 3\%$  pour plus de 200mm | Todas las medidas en mm con tolerancia de 5% para menos de 200mm y 3% para más de 200mm | Alle Abmessungen in mm, Toleranz  $\pm 5\%$  für unter 200mm, und  $\pm 3\%$  für über 200mm | Все размеры указаны в мм, погрешность  $\pm 5\%$  ниже 200 мм и  $\pm 3\%$  выше 200 мм



Models | Modelli | Modèles | Modelos | Modelle | Модели



**65 CM**  
CLOWB6501AWHA  
Drain Cover: CLOAC4400AWHA



**65 CM**  
CLOWB6501500A  
Drain Cover: CLOAC4400500A



**65 CM**  
CLOWB6501504A  
Drain Cover: CLOAC4400504A



**FOR WASH BASIN**  
INOX CHROME : BTRWBSST001  
ABS CHROME : BTRWBABS002

Drain Not Included

Matt Finish

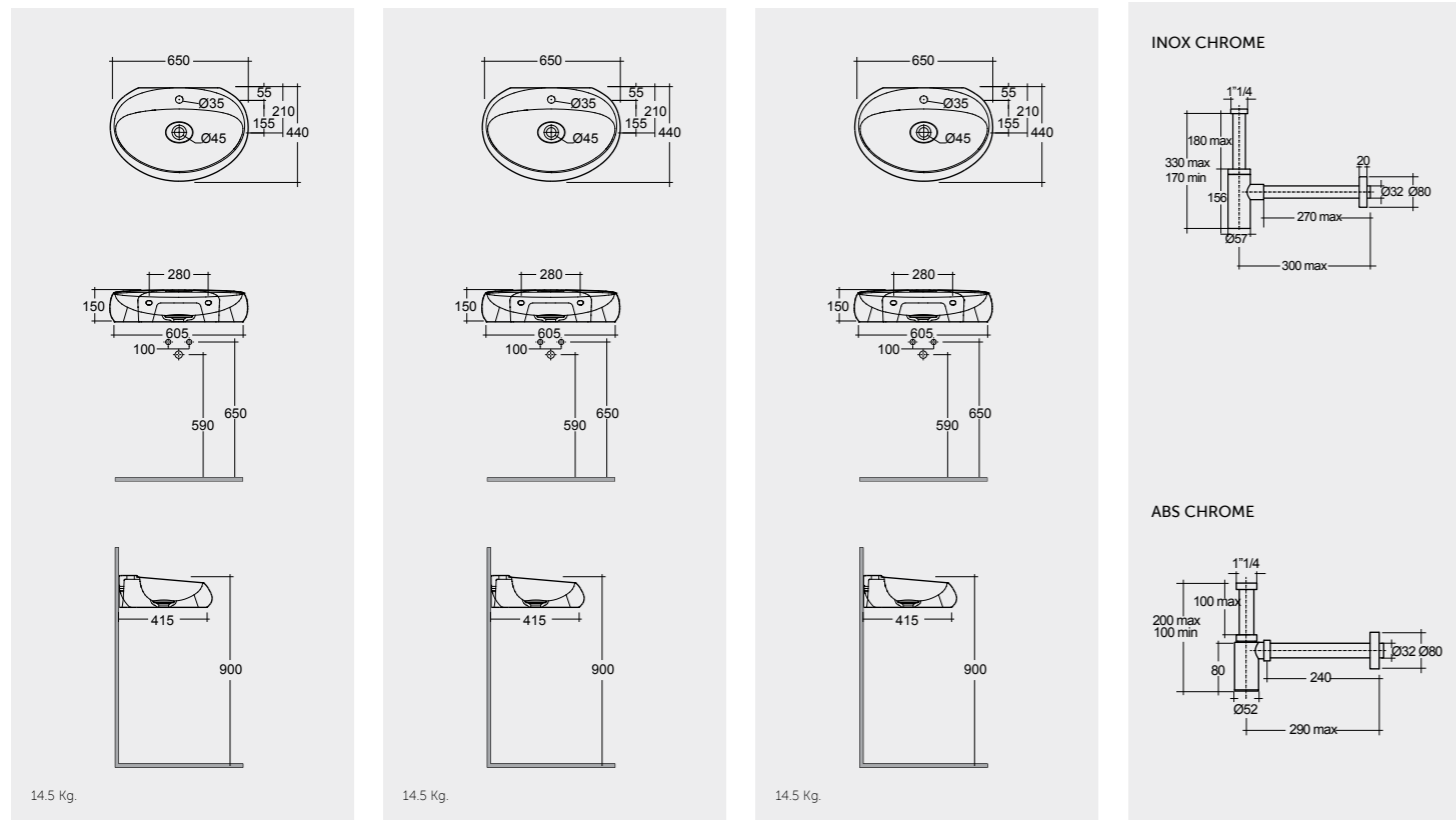
Drain Not Included

Matt Finish

Drain Not Included

Inspectionable

Measurements | Misure | Dimensions | Medidas | Abmessungen | Размеры



14.5 Kg.

14.5 Kg.

14.5 Kg.

Note | Nota | Remarque | Notas | Hinweis | Примечание

All dimensions in mm tolerance  $\pm 5\%$  for below 200mm and  $\pm 3\%$  for above 200mm | Tutte le dimensioni hanno una tolleranza di  $\pm 5\%$  mm al di sotto dei 200mm e di  $\pm 3\%$  mm al di sopra dei 200mm | Toutes les dimensions en mm tolérance  $\pm 5\%$  pour moins de 200mm et  $\pm 3\%$  pour plus de 200mm | Todas las medidas en mm con tolerancia de 5% para menos de 200mm y 3% para más de 200mm | Alle Abmessungen in mm, Toleranz  $\pm 5\%$  für unter 200mm, und  $\pm 3\%$  für über 200mm | Все размеры указаны в мм, погрешность  $\pm 5\%$  ниже 200 мм и  $\pm 3\%$  выше 200 мм

Models | Modelli | Modèles | Modelos | Modelle | Модели



**55 CM**  
CLOWB5501AWHA  
Drain Cover: CLOAC4400AWHA



**55 CM**  
CLOWB5501500A  
Drain Cover: CLOAC4400500A



**55 CM**  
CLOWB5501504A  
Drain Cover: CLOAC4400504A



**FOR WASH BASIN**  
INOX CHROME : BTRWBSST001  
ABS CHROME : BTRWBABS002

Drain Not Included

Matt Finish

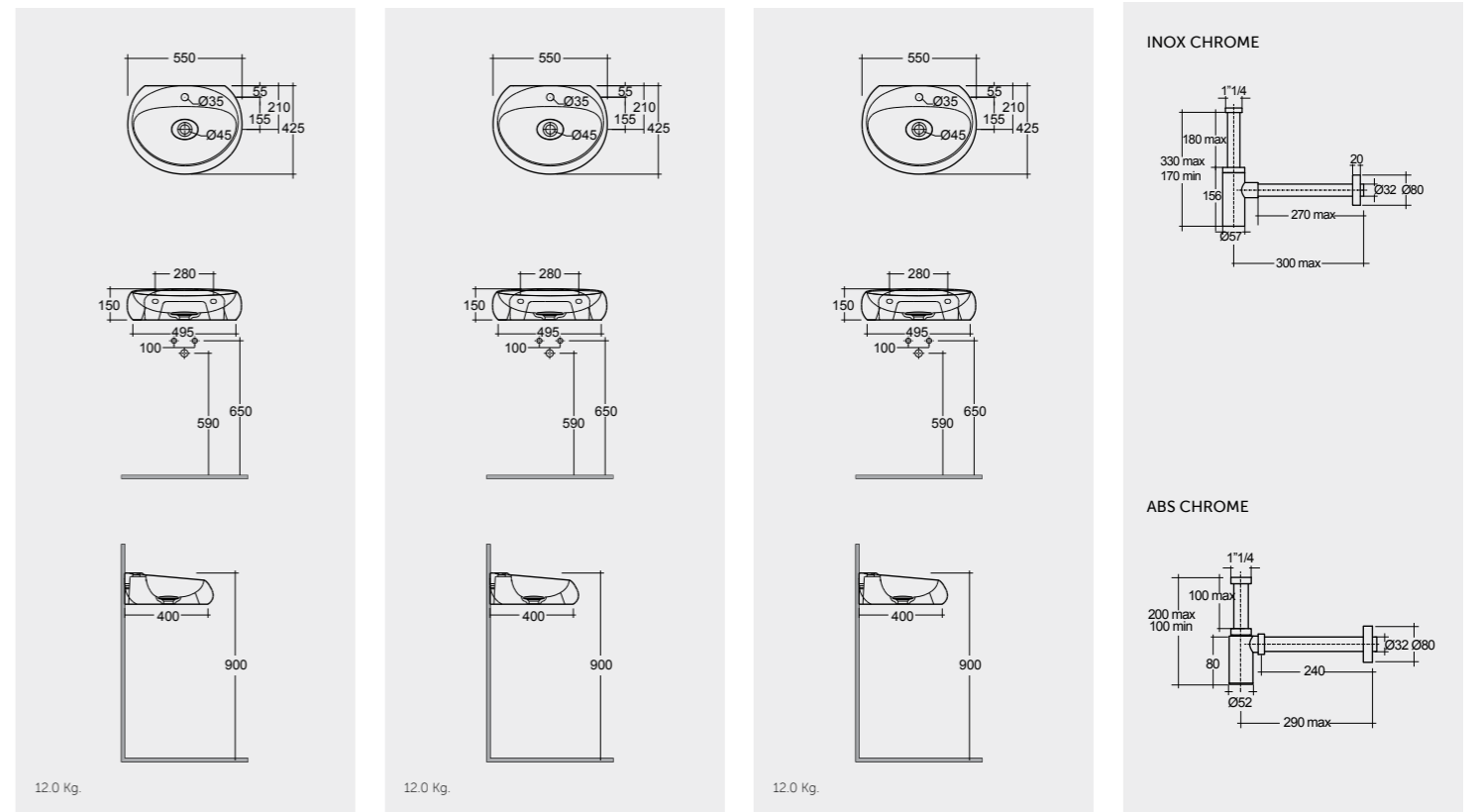
Drain Not Included

Matt Finish

Drain Not Included

Inspectionable

Measurements | Misure | Dimensions | Medidas | Abmessungen | Размеры



12.0 Kg.

12.0 Kg.

12.0 Kg.



# RAK-CLOUD WITH RAK-PLANO SURFACES



61 CM  
PLASL06146EGY

Suitable for RAK-Cloud WB :  
58 CM



81 CM  
PLASL08146EGY

Suitable for RAK-Cloud WB :  
58 CM



101 CM  
PLASL10146EGY

Suitable for RAK-Cloud WB :  
58 CM



121 CM  
PLASL12146EGY

Suitable for RAK-Cloud WB :  
58 CM



141 CM  
PLASL14146EGY

Suitable for RAK-Cloud WB :  
58 CM



161 CM  
PLASL16146EGY

Suitable for RAK-Cloud WB :  
58 CM



181 CM  
PLASL18146EGY

Suitable for RAK-Cloud WB :  
28 CM

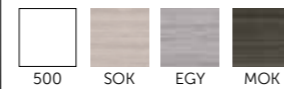


201 CM  
PLASL20146EGY

Suitable for RAK-Cloud WB :  
58 CM

### RAK-PLANO - COLORS AND FINISHES

RAK-PLANO - FINITURE E COLORI |  
RAK-PLANO - FINITURES ET COULEURS |  
RAK-PLANO - COLORES Y ACABADOS |  
RAK-PLANO - OBERFLÄCHEN UND FARBEN |  
RAK-PLANO - ЦВЕТА И ОТДЕЛКА



FOR VANITY (RAK-JOY UNO)  
PP WHITE : BTRWBPPR022



RAK-PLANO  
COUNTER TOP SURFACES



# RAK-CLOUD WITH RAK-JOY & RAK-PRECIOUS SURFACES



63 CM  
PRESL06347106A

Suitable for RAK-Cloud WB :  
58 CM



83 CM  
PRESL08347106A

Suitable for RAK-Cloud WB :  
58 CM



103 CM  
PRESL10347106A

Suitable for RAK-Cloud WB :  
58 CM



123 CM  
PRESL12347106A

Suitable for RAK-Cloud WB :  
58 CM



163 CM  
PRESL16347106A

Suitable for RAK-Cloud WB :  
58 CM



FOR VANITY  
PP WHITE : BTRWBPPR021

Inspectionable  
Compact Height



203 CM  
PRESL20347106A

Suitable for RAK-Cloud WB :  
58 CM

### RAK-PRECIOUS - COLORS AND FINISHES

RAK-PRECIOUS - FINITURE E COLORI | RAK-PRECIOUS - FINITURES ET COULEURS  
| RAK-PRECIOUS - COLORES Y ACABADOS | RAK-PRECIOUS - OBERFLÄCHEN UND FARBEN | RAK-PRECIOUS - ЦВЕТА И ОТДЕЛКА

- |  |                                      |  |  |
|--|--------------------------------------|--|--|
|  | 106<br>BLU DEL BELGIO<br>(LAPPATO)   |  | 103<br>SURFACE XL COOL GREY<br>(NATURAL) |
|  | 100<br>CARRARA<br>(LAPPATO)          |  | 104<br>BEHIND GREY<br>(NATURAL)          |
|  | 101<br>MACAUBAS<br>(NATURAL)         |  | 105<br>UNI DARK BLACK<br>(NATURAL)       |
|  | 102<br>TRAVERTINO IVORY<br>(LAPPATO) |  |  |



# RAK-CLOUD WITH RAK-JOY & RAK-PRECIOUS SURFACES



63 CM  
PRESL06347106E

Suitable for RAK-Cloud WB :  
55 CM



83 CM  
PRESL08347106E

Suitable for RAK-Cloud WB :  
55, 65 CM



103 CM  
PRESL10347106E

Suitable for RAK-Cloud WB :  
55, 65 CM



123 CM  
PRESL12347106E

Suitable for RAK-Cloud WB :  
55 CM



163 CM  
PRESL16347106E

Suitable for RAK-Cloud WB :  
55, 65 CM



FOR VANITY  
PP WHITE : BTRWBPPR021

Inspectionable  
Compact Height



203 CM  
PRESL20347106E

Suitable for RAK-Cloud WB :  
55, 65 CM

### RAK-PRECIOUS - COLORS AND FINISHES

RAK-PRECIOUS - FINITURE E COLORI | RAK-PRECIOUS - FINITURES ET COULEURS  
| RAK-PRECIOUS - COLORES Y ACABADOS | RAK-PRECIOUS - OBERFLÄCHEN UND FARBEN | RAK-PRECIOUS - ЦВЕТА И ОТДЕЛКА

- |  |                                      |  |  |
|--|--------------------------------------|--|--|
|  | 106<br>BLU DEL BELGIO<br>(LAPPATO)   |  | 103<br>SURFACE XL COOL GREY<br>(NATURAL) |
|  | 100<br>CARRARA<br>(LAPPATO)          |  | 104<br>BEHIND GREY<br>(NATURAL)          |
|  | 101<br>MACAUBAS<br>(NATURAL)         |  | 105<br>UNI DARK BLACK<br>(NATURAL)       |
|  | 102<br>TRAVERTINO IVORY<br>(LAPPATO) |  |  |



RAK-PRECIOUS  
COUNTER TOP SURFACES



Models | Modelli | Modèles | Modelos | Modelle | Модели



56 CM  
P CLOWC1346AWHA  
AWH

56 CM  
P CLOWC1346500A  
500

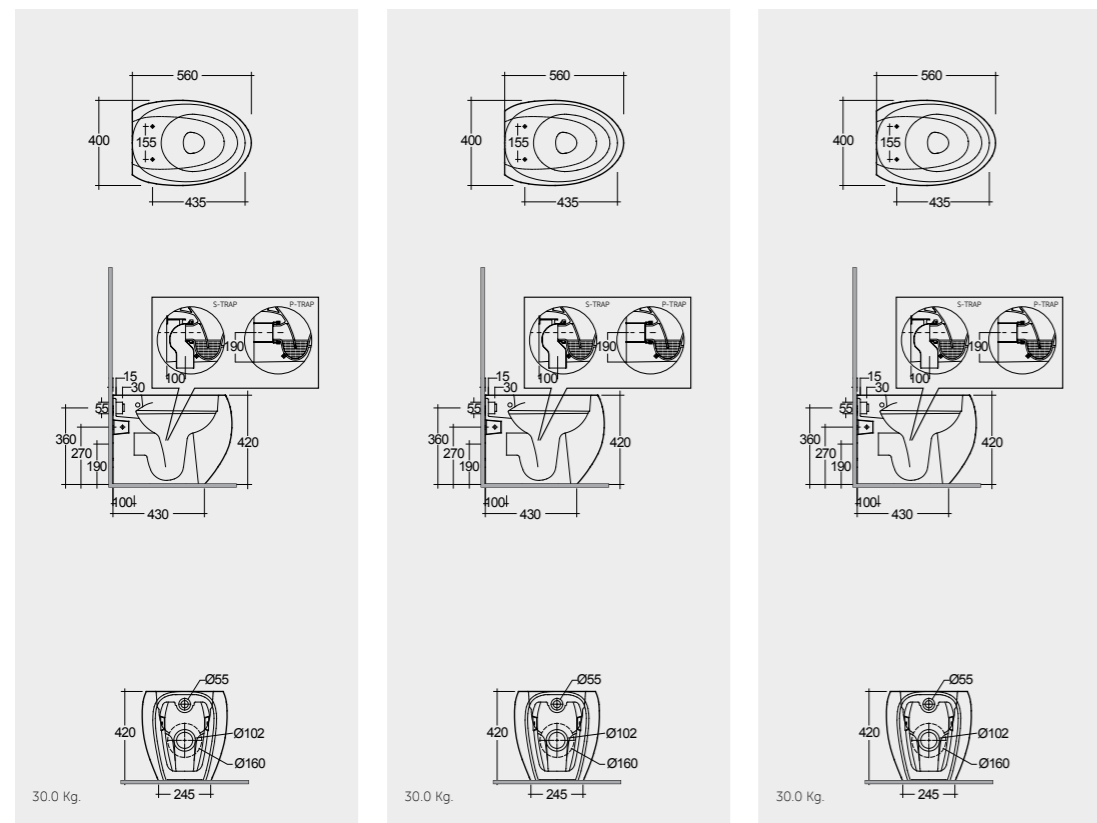
56 CM  
P CLOWC1346504A  
504

Hidden Fixations  
Comfort Height 42 CM

Matt Finish  
Hidden Fixations  
Comfort Height 42 CM

Matt Finish  
Hidden Fixations  
Comfort Height 42 CM

Measurements | Misure | Dimensions | Medidas | Abmessungen | Размеры



Urea RAK-Cloud  
CLOSC3901WH

Urea RAK-Cloud  
CLOSC3901WH

Urea RAK-Cloud  
CLOSC3901500

Note | Nota | Remarque | Notas | Hinweis | Примечание

All dimensions in mm tolerance  $\pm 5\%$  for below 200mm and  $\pm 3\%$  for above 200mm | Tutte le dimensioni hanno una tolleranza di  $\pm 5\%$  mm al di sotto dei 200mm e di  $\pm 3\%$  mm al di sopra dei 200mm | Toutes les dimensions en mm tolérance  $\pm 5\%$  pour moins de 200mm et  $\pm 3\%$  pour plus de 200mm | Todas las medidas en mm con tolerancia de 5% para menos de 200mm y 3% para más de 200mm | Alle Abmessungen in mm, Toleranz  $\pm 5\%$  für unter 200mm, und  $\pm 3\%$  für über 200mm | Все размеры указаны в мм, погрешность  $\pm 5\%$  ниже 200 мм и  $\pm 3\%$  выше 200 мм

Models | Modelli | Modèles | Modelos | Modelle | Модели



56 CM  
P CLOWC1446AWHA  
AWH

56 CM  
P CLOWC1446500A  
500

56 CM  
P CLOWC1446504A  
504

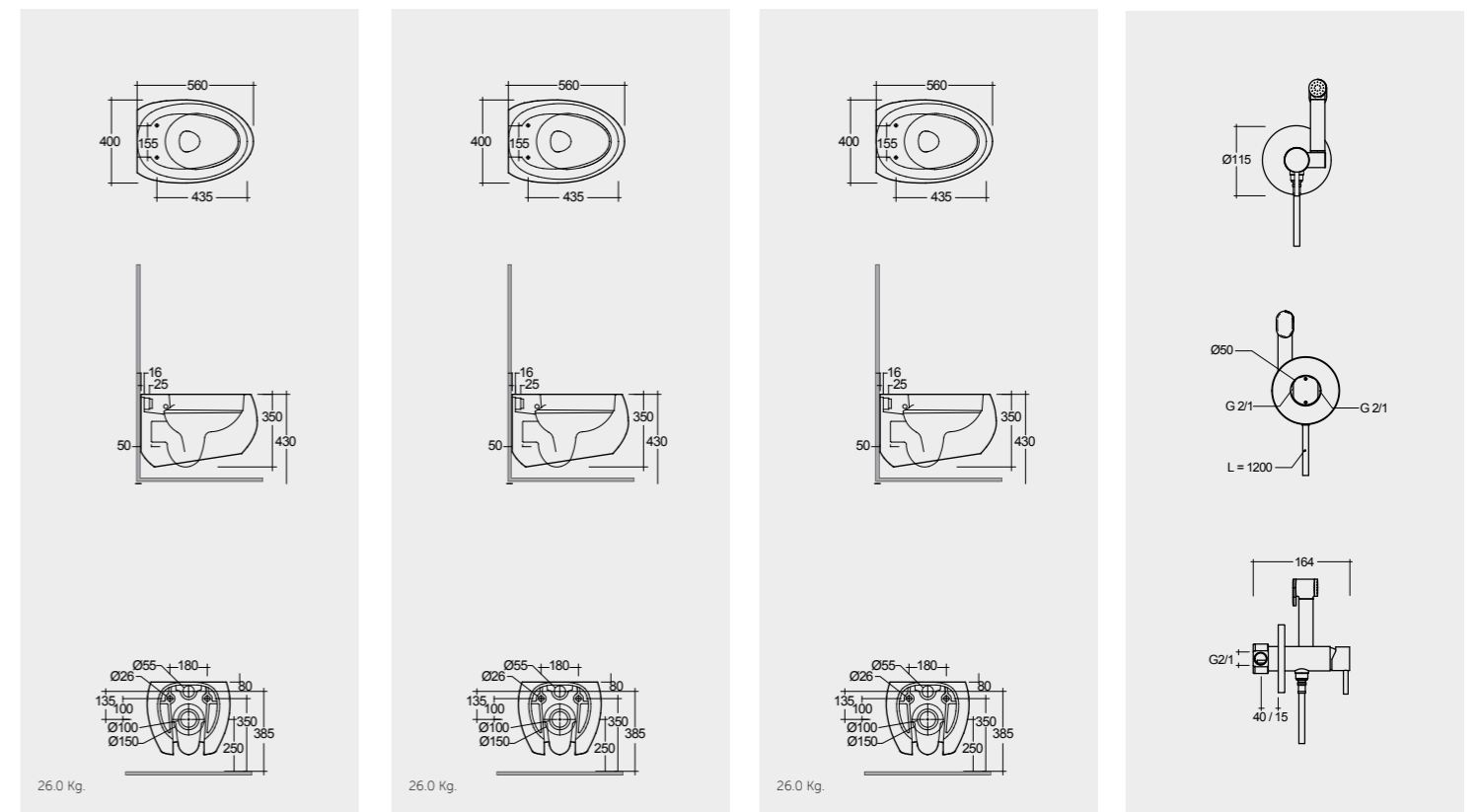
SET WITH MIXER (SHATAFF)  
BRASS CHROME : SPRDOMX0001

Hidden Fixations

Matt Finish  
Hidden Fixations

Matt Finish  
Hidden Fixations

Measurements | Misure | Dimensions | Medidas | Abmessungen | Размеры



Urea RAK-Cloud  
CLOSC3901WH

Urea RAK-Cloud  
CLOSC3901WH

Urea RAK-Cloud  
CLOSC3901500

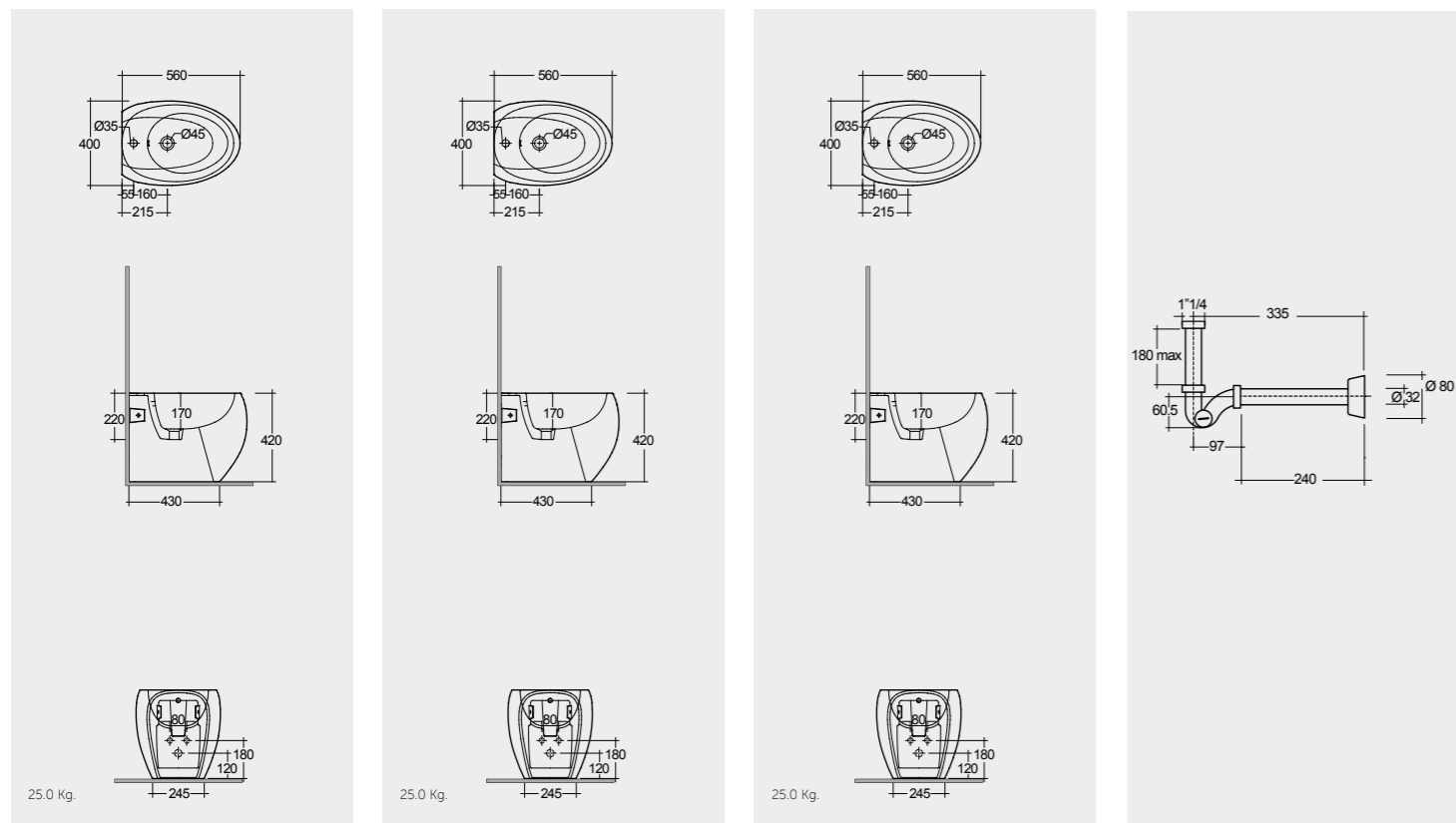
Models | Modelli | Modèles | Modelos | Modelle | Модели



56 CM CLOBD2015AWHA AWH 56 CM CLOBD2015500A 500 56 CM CLOBD2015504A 504 FOR BIDET ABS CHROME : BTRBDABS10

Hidden Fixations Comfort Height 42 CM Matt Finish Hidden Fixations Comfort Height 42 CM Matt Finish Hidden Fixations Comfort Height 42 CM Inspectionable

Measurements | Misure | Dimensions | Medidas | Abmessungen | Размеры



Note | Nota | Remarque | Notas | Hinweis | Примечание

All dimensions in mm tolerance  $\pm 5\%$  for below 200mm and  $\pm 3\%$  for above 200mm | Tutte le dimensioni hanno una tolleranza di  $\pm 5\%$  mm al di sotto dei 200mm e di  $\pm 3\%$  mm al di sopra dei 200mm | Toutes les dimensions en mm tolérance  $\pm 5\%$  pour moins de 200mm et  $\pm 3\%$  pour plus de 200mm | Todas las medidas en mm con tolerancia de 5% para menos de 200mm y 3% para más de 200mm | Alle Abmessungen in mm, Toleranz  $\pm 5\%$  für unter 200mm, und  $\pm 3\%$  für über 200mm | Все размеры указаны в мм, погрешность  $\pm 5\%$  ниже 200 мм и  $\pm 3\%$  выше 200 мм

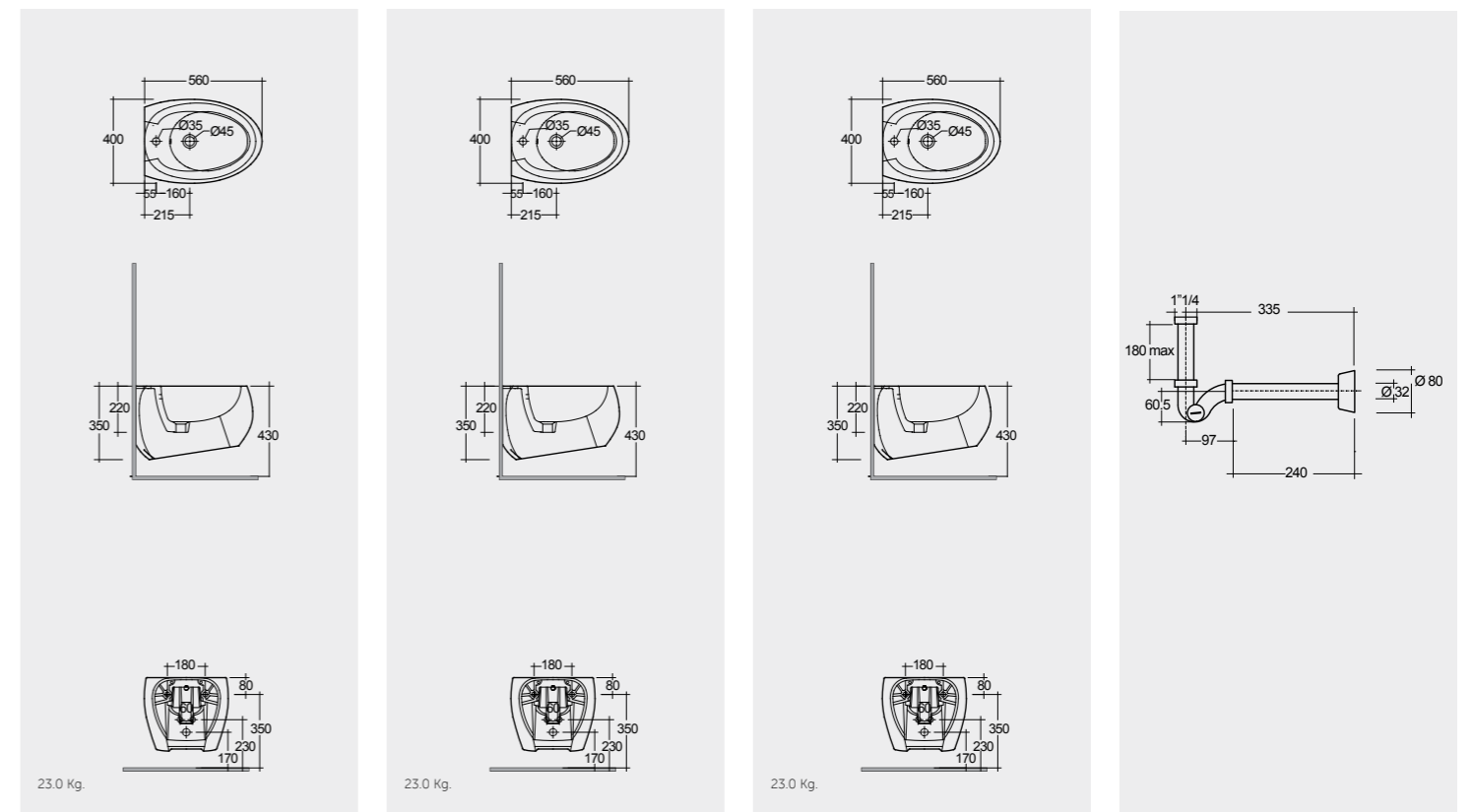
Models | Modelli | Modèles | Modelos | Modelle | Модели





56 CM CLOBD2101AWHA AWH 56 CM CLOBD2101500A 500 56 CM CLOBD2101504A 504 FOR BIDET PP WHITE : BTRBDPPR011


Hidden Fixations Matt Finish Hidden Fixations Matt Finish Hidden Fixations Inspectionable

Measurements | Misure | Dimensions | Medidas | Abmessungen | Размеры





  50 CM  
CLOFS5001500A

 78x46 CM  
CLOMR07846

RAK-VARIANT

# RAK-VARIANT



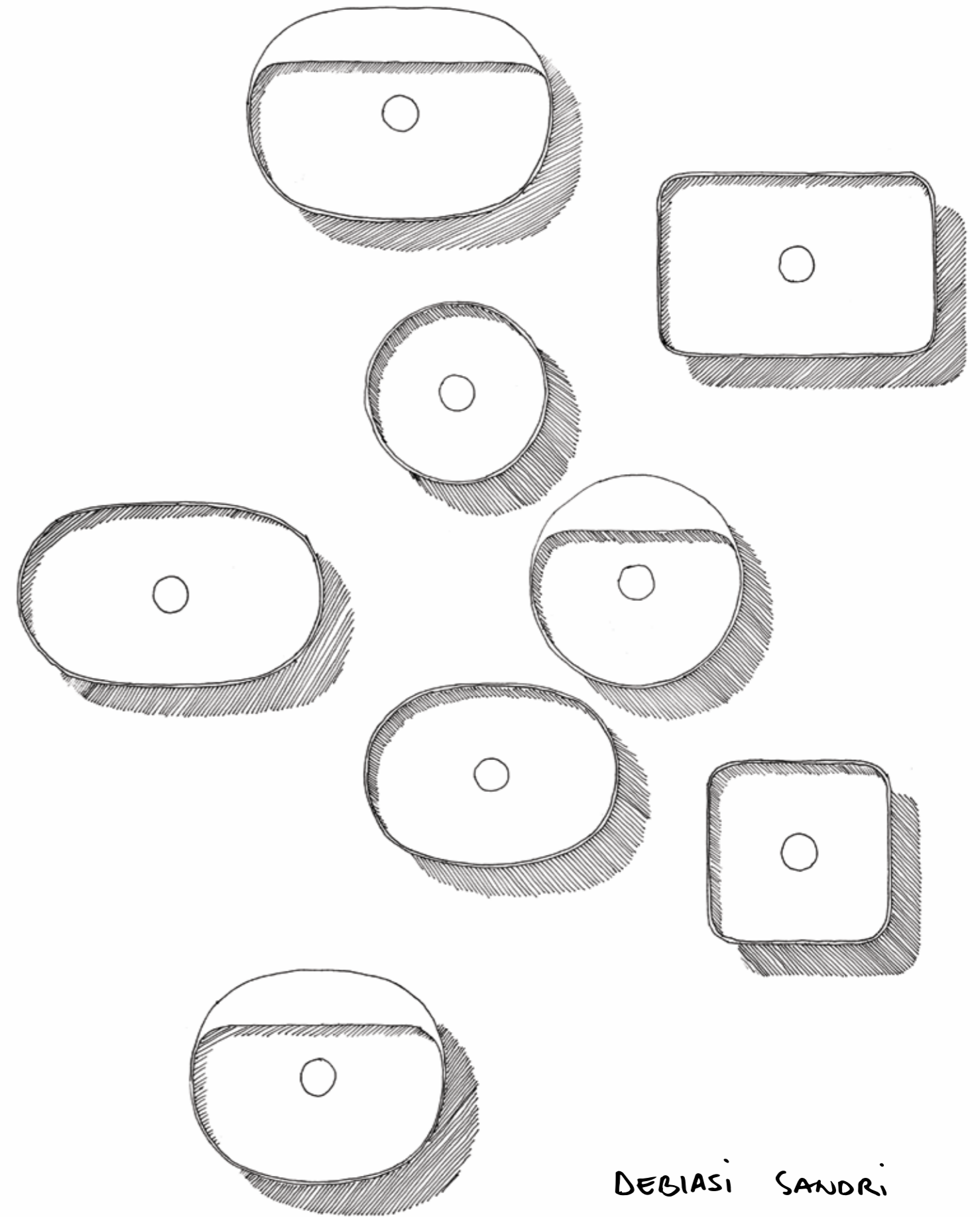
Round, oval, square... what's the shape of your freedom? Feel free to design, free to explore new solutions for your bathroom project, free to imagine. RAK-Variant featuring countertop, drop-in and under counter washbasins. Different shapes and different sizes with or without tap bank. Made from high-quality ceramic in 5mm thickness.





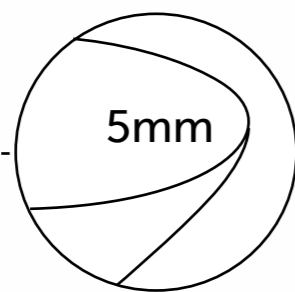
## Design by Daniel Debiasi and Federico Sandri

Daniel Debiasi and Federico Sandri founded their own design studio in 2010 and work within various fields of design, ranging from objects to spaces. Multiple experiments and the relationship between manufacture and craftsmanship form the basis for a much broader thinking, where objects are always considered as part of a bigger picture. They have created work for Antoniolumpi, Lema, Ligne Roset, Normann Copenhagen, Offecct, Rosenthal, Stelton, Villeroy & Boch among others. Many of their projects have received international design awards and are featured in publications worldwide. In addition to their work as designers, they regularly teach, hold workshops and lectures at various institutions including IUAV Venezia and Politecnico di Milano. Together with Rak Ceramics, Daniel Debiasi and Federico Sandri present the project RAK-Variant (2019).



DEBIASI SANDRI





**SLIM EDGES, HIGH RESISTANCE**  
BORDI SOTTILI, RESISTENZA ELEVATA  
BORDS FINS, RÉSISTANCE ÉLEVÉE  
BORDES FINOS, RESISTENCIA ALTA  
FEINE RÄNDER, HOHE WIDERSTANDSKRAFT  
ТОНКИЕ КРАЯ, ВЫСОКАЯ УСТОЙЧИВОСТЬ





36X36 CM  
VARDI13600AWHA



## COUNTERTOP WASHBASIN

The washbasin shape, the ceramic material and the beautiful design are enhanced by this countertop solution.

The basin becomes the central focus and therefore plays a fundamental role in the final design of the interior project.

The thin edges help to enhance any vanity top, cabinet or console.

The wide range of shapes, in the double version with or without tap bank, makes RAK-Variant countertop washbasins ideal for freely expressing your ideas.



### LAVABI DA APPOGGIO

La forma del lavabo, il materiale ceramico e le linee essenziali di RAK-Variant vengono esaltate al massimo da questa soluzione da appoggio. L'oggetto lavabo diventa protagonista e gioca quindi un ruolo fondamentale nel progetto d'interno desiderato. I bordi sottili contribuiscono a valorizzare qualsiasi piano di lavoro, mobile da bagno o console.

L'ampia gamma di forme, nella doppia versione con o senza piano d'appoggio per la rubinetteria, rende i lavabi RAK-Variant l'ideale per decorare qualsiasi bagno.

### LAVABOS À POSER

La forme du lavabo, le matériel céramique et les lignes essentielles de RAK-Variant sont exaltés au maximum par cette solution à poser. L'objet lavabo devient le protagoniste et joue, par conséquent, un rôle fondamental dans le projet d'intérieur désiré. Les bords fins contribuent à valoriser n'importe quel plan de travail, quel meuble de salle de bains ou quelle console. L'ample gamme de formes, dans la double version avec ou sans plan d'appui pour la robinetterie, fait des lavabos RAK-Variant l'idéal pour décorer n'importe quelle salle de bains.

### LAVABOS DE APOYO

Esta solución de apoyo resalta la forma del lavabo, el material cerámico y el bonito diseño. El lavabo se convierte en el foco de atención y juega, por consiguiente, un papel fundamental en el diseño final del proyecto de interior. Los bordes finos contribuyen a realzar la superficie superior de muebles de baño, armarios o consolas. La amplia gama de formas, en la versión doble con o sin grifo, convierte los lavabos RAK en la variante de apoyo en elementos ideales para expresar tus ideas libremente.

### AUFSATZWASCHBECKEN



Die Waschbeckenform, das Keramikmaterial und die essentiellen Linien von RAK-Variant werden durch diese Aufsatzlösung auf höchste Maß hervorgehoben. Der Gegenstand Waschbecken wird zum Protagonisten und spielt somit eine grundlegende Rolle bei dem gewünschten Innenprojekt. Die feinen Ränder steuern dazu bei, den Wert jeglichen Waschtisches, jedes Bademöbelstücks oder jeder Kosole zu steigern. Die große Bandbreite an Formen, in der doppelten Version mit oder ohne Fläche für die Armatur, macht die Waschbecken RAK-Variant zum idealen Dekor eines jeden Badezimmers.

### НАКЛАДНЫЕ РАКОВИНЫ

Разнообразные формы, безупречный керамический материал и восхитительный дизайн создают многообразие решений для вашей ванной комнаты. В современном дизайне раковина становится центральным элементом и играет фундаментальную роль в неповторимой ауре дизайна. Тонкие края раковин придадут элегантности любому типу поверхности мебели для ванной комнаты, а также столешницы. Разнообразие форм, вариативность с отверстием под смеситель и без, делает накладные раковины RAK-Variant идеальными для украшения вашей ванной комнаты и смелого воплощения в жизнь Ваших лучших идей.





-  50X36 CM  
VARCT25000AWHA
-  50X42 CM  
VARCT25001AWHA

## DROP-IN WASHBASIN

RAK-Variant drop-in solutions are an excellent compromise between functionality and aesthetics.

The ceramic washbasin, in your preferred form, can in fact be combined and integrated with any countertop in gres porcelain, creating harmonious results in any environment.

At the same time, this solution saves a lot of space compared to undercounter solutions, allowing storage space.

### LAVABI DA SEMI-INCASSO

Le soluzioni RAK-Variant a semi-incasso rappresentano un giusto compromesso tra funzionalità ed estetica.

La vasca in ceramica, nella vostra forma preferita, può infatti essere abbinata ed integrata ad un qualsiasi top in gres porcellanato, con risultati armoniosi in ogni tipo di ambiente. Al tempo stesso questa soluzione consente un risparmio di spazio notevole rispetto alle soluzioni sottopiano, concedendo più spazio alle tue cose.

### LAVABOS SEMI-ENCASTRÉS

Les solutions RAK-Variant semi-encastrées représentent un juste compromis entre la fonctionnalité et l'esthétique. Le lavabo en céramique, dans votre forme préférée, peut en fait être combinée avec n'importe quel plan en grès porcelaine, avec des résultats harmonieux dans tout type d'ambiance. En même temps, cette solution consent à une économie d'espace considérable, par rapport aux solutions intégrées, concédant plus d'espace à vos objets.

### LAVABOS DE ENCASTRE

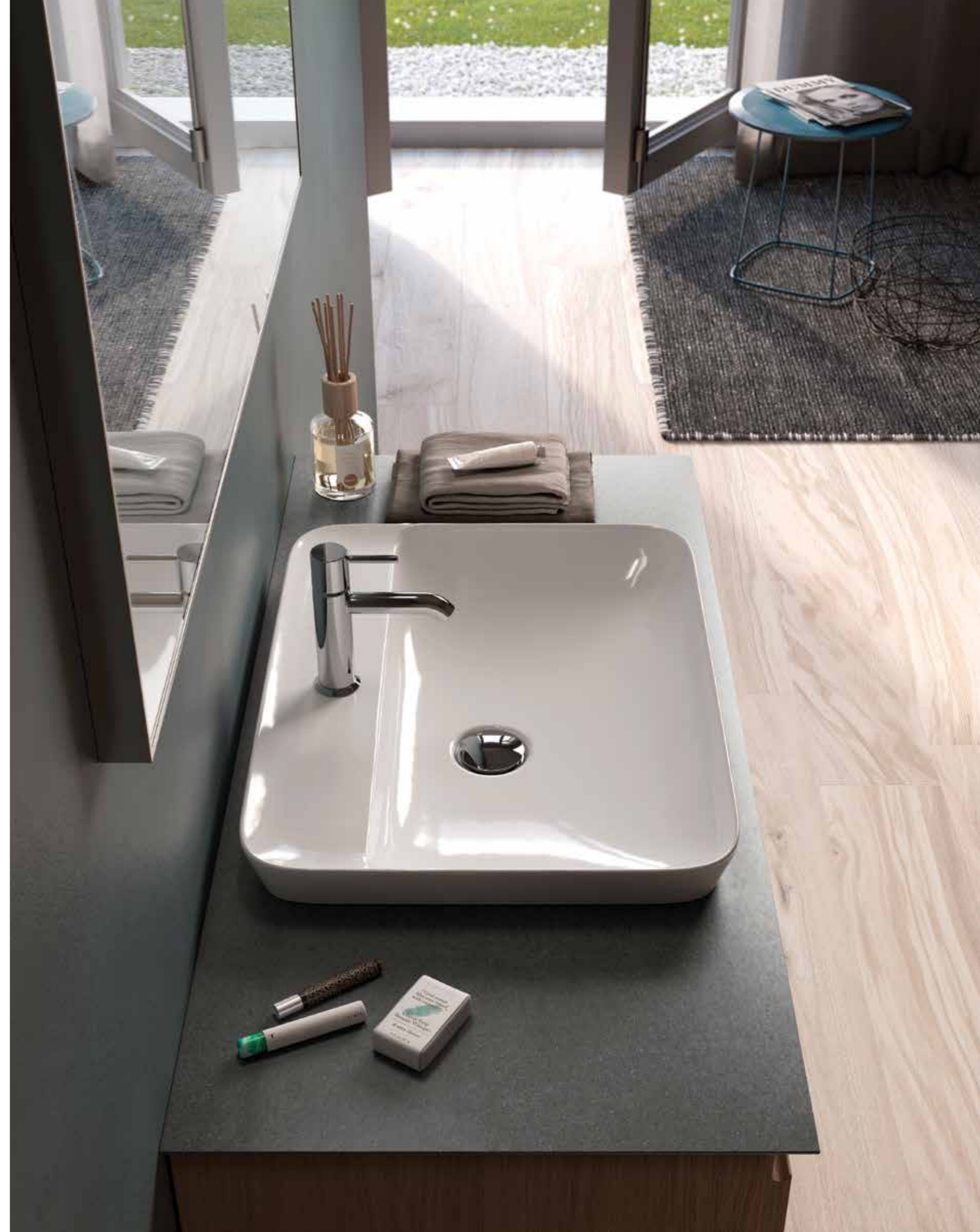
Las soluciones RAK en la variante de encastre representan un compromiso excelente entre funcionalidad y estética. De hecho, el lavabo de cerámica, en tu forma favorita, se combina e integra con cualquier apoyo de porcelana de gres, creando resultados armoniosos en todos los ambientes. Al mismo tiempo, esta solución ahorra un espacio enorme si la comparamos con soluciones bajo encimera, permitiendo un espacio para el almacenamiento.

### HALB-EINLAßWASCHBECKEN

Die halb-eingelassenen Lösungen RAK-Variant stellen einen guten Kompromiß zwischen Funktionalität und Ästhetik dar. Das Keramikbecken in Ihrer Lieblingsform kann mit jeder Platte aus Feinsteinzeug kombiniert und darin integriert werden, und dies mit harmonischen Ergebnissen bei jedem Raumtyp. Gleichzeitig erlaubt diese Lösung eine beträchtliche Platzeinsparung, im Vergleich zu allen Lösungen unterhalb der Platte, und lässt Ihren Gegenständen mehr Platz.

### ВСТРАИВАЕМЫЕ РАКОВИНЫ

Встраиваемые раковины RAK-Variant представляют собой отличный компромисс между функциональностью и эстетикой. Керамическая раковина, в выбранной Вами форме, может быть объединена или встроена в любой тип рабочей поверхности, интеграция с керамогранитом придает соединению гармоничности и создает неповторимую атмосферу Вашего пространства. В то же время, это решение позволяет значительно сэкономить пространство по сравнению с раковинами, встраиваемыми снизу, так как освобождает больше места для хранения ваших вещей.





55X42 CM  
VARDI55501AWHA





## UNDERCOUNTER WASHBASIN

The undercounter variant, with the sink fully installed below the vanity top, is of course the one in which the sink goes most unnoticed.

It becomes a fully functional tool for the environment around it, with only the internal shape remaining visible. An elegant solution that enhances the choice of materials selected by the designer for the bathroom project.

### LAVABI SOTTOPIANO

La variante sottopiano, con il lavabo completamente installato al di sotto del piano di appoggio, e' ovviamente quella in cui il lavabo passa maggiormente inosservato. Esso diventa strumento totalmente funzionale al resto dell'ambiente che lo circonda, restandone visibile la sola forma interna. Una soluzione elegante che valorizza la scelta dei materiali selezionati dal progettista per l'ambiente bagno.

### LAVABOS INTÉGRÉS

La variante intégrée, avec le lavabo installé complètement au-dessous du plan d'appui, est évidemment celle, où le lavabo reste principalement inobservé. Il devient l'instrument totalement fonctionnel par rapport au reste de l'espace qui l'entoure, avec sa seule forme interne qui reste visible. Une solution élégante qui valorise le choix des matériaux sélectionnés par le planificateur pour l'espace de la salle de bains.

### LAVABOS DE BAJO ENCIMERA

La variante bajo encimera, con el lavabo completamente instalado bajo la encimera, representa una solución donde el lavabo pasa casi desapercibido. Se convierte en una herramienta totalmente funcional para el entorno y solamente la forma interna resulta visible. Es una solución elegante, que resalta la elección de materiales seleccionados por el diseñador para el proyecto del cuarto de baño.

### UNTERBAUWASCHBECKEN

Die Unterbauvariante, mit dem Waschbecken, das vollständig unterhalb der Auflagefläche installiert ist, ist ganz offensichtlich diejenige, bei der das Waschbecken weitgehend ungeachtet bleibt. Dieses wird zu einem komplett funktionellen Instrument in Bezug auf das Umfeld, und ist nur durch seine innere Form sichtbar. Eine elegante Lösung, die der Wahl der ausgesuchten Materialien durch den Planer, für das Badezimmer, großen Wert verleiht.

### ВСТРАИВАЕМЫЕ СНИЗУ РАКОВИНЫ

Вариант раковины, встраиваемой снизу, с раковиной установленной ниже поверхности столешницы, наиболее подходит тем, кто хочет сделать раковину максимально незаметной. Встраиваемая снизу раковина полностью функциональна, при этом видна только ее внутренняя форма. Элегантное решение, расширяющее выбор материалов, выбранных дизайнером для ванной комнаты.





55X36 CM  
VARUC55500AWHA





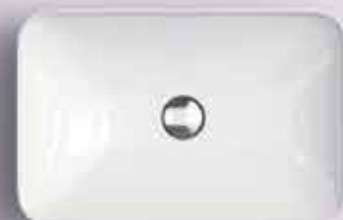
Undercounter



Drop-in



Countertop



Drop-in with tap hole



Countertop with tap hole



# RAK-VARIANT / ROUND

Models | Modelli | Modèles | Modelos | Modelle | Модели



42X42 CM  
VARCT14201AWHA



42X42 CM  
VARDI14201AWHA



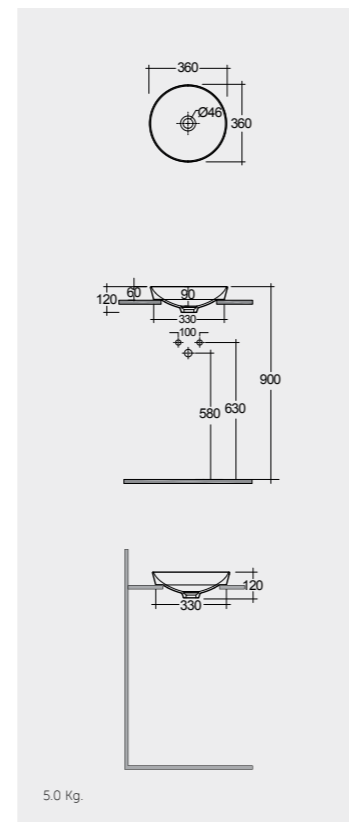
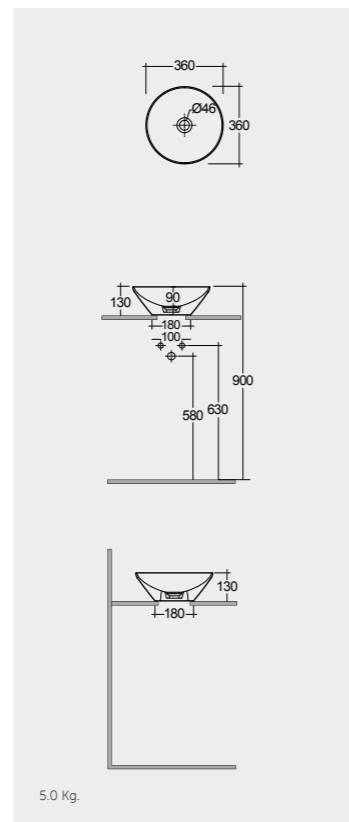
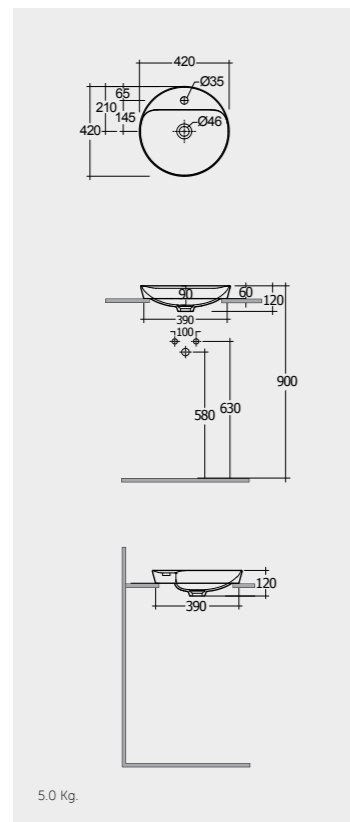
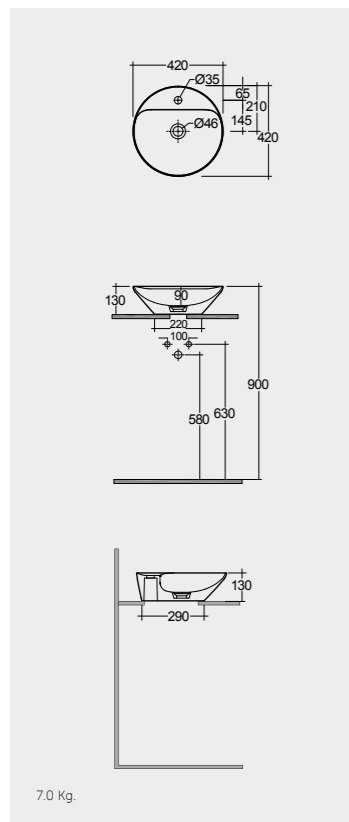
36X36 CM  
VARCT13600AWHA



36X36 CM  
VARDI13600AWHA

With Overflow

Measurements | Misure | Dimensions | Medidas | Abmessungen | Размеры



Note | Nota | Remarque | Notas | Hinweis | Примечание

All dimensions in mm tolerance  $\pm 5\%$  for below 200mm and  $\pm 3\%$  for above 200mm | Tutte le dimensioni hanno una tolleranza di  $\pm 5\%$  mm al di sotto dei 200mm e di  $\pm 3\%$  mm al di sopra dei 200mm | Toutes les dimensions en mm tolérance  $\pm 5\%$  pour moins de 200mm et  $\pm 3\%$  pour plus de 200mm | Todas las medidas en mm con tolerancia de 5% para menos de 200mm y 3% para más de 200mm | Alle Abmessungen in mm, Toleranz  $\pm 5\%$  für unter 200mm, und  $\pm 3\%$  für über 200mm | Все размеры указаны в мм, погрешность  $\pm 5\%$  ниже 200 мм и  $\pm 3\%$  выше 200 мм

Models | Modelli | Modèles | Modelos | Modelle | Модели



36X36 CM  
VARUC13600AWHA



FREE-FLOW  
CHROME : DUO002444

CLICK-CLACK  
CHROME : DUO000444

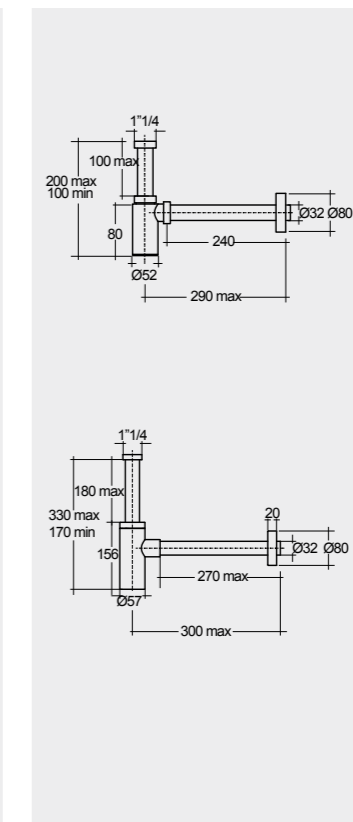
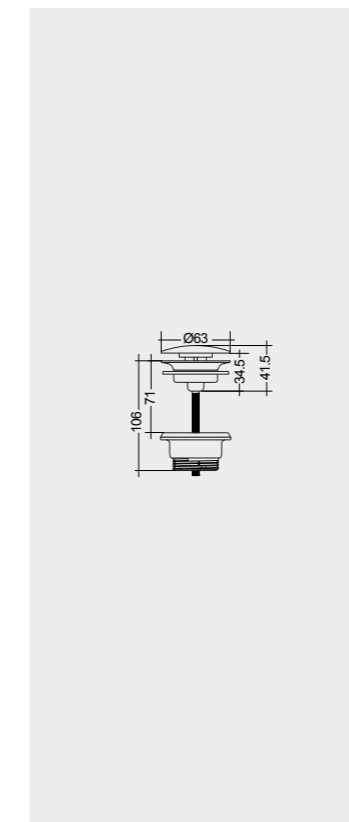
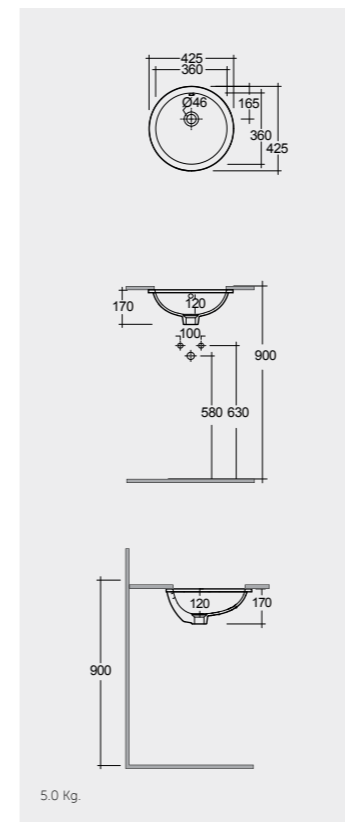


FOR WASH BASIN  
ABS CHROME : BTRWBABS002

FOR WASH BASIN  
INOX CHROME : BTRWBSST001

With Overflow

Measurements | Misure | Dimensions | Medidas | Abmessungen | Размеры



Inspectionable

# RAK-VARIANT / OVAL

Models | Modelli | Modèles | Modelos | Modelle | Модели



50X42 CM  
VARCT25001AWHA



50X42 CM  
VARDI25001AWHA

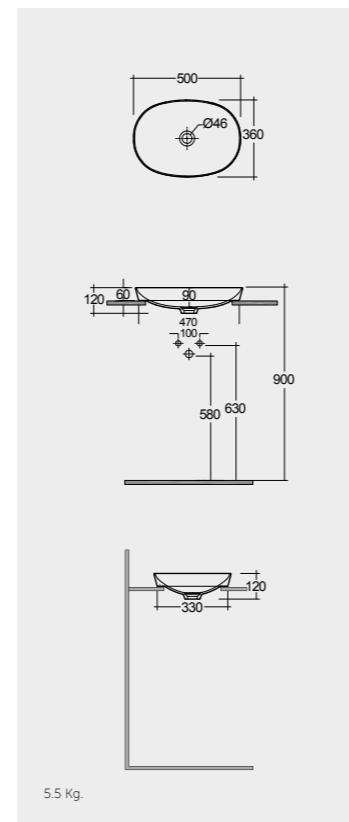
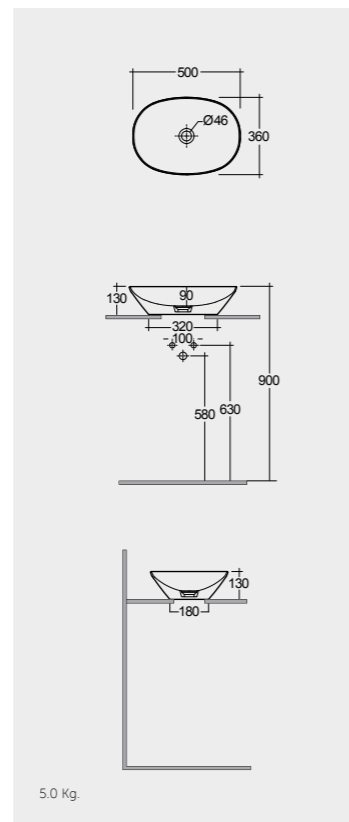
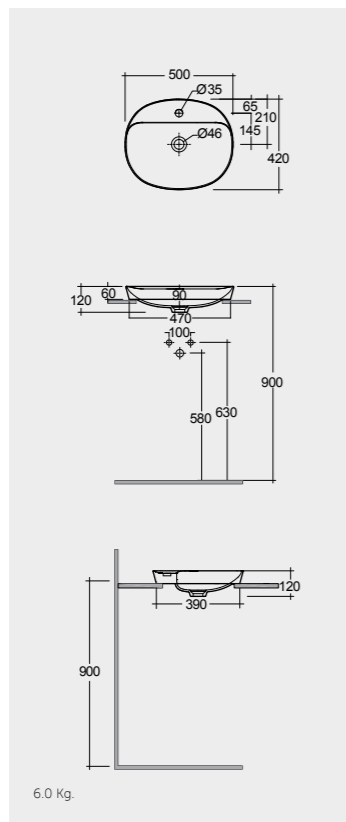
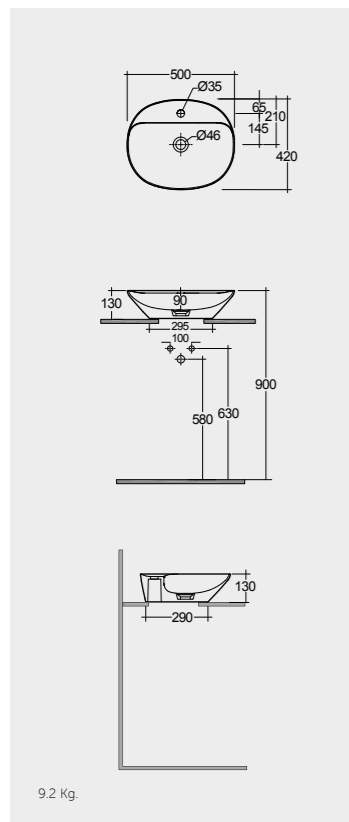


50X36 CM  
VARCT25000AWHA



50X36 CM  
VARDI25000AWHA

Measurements | Misure | Dimensions | Medidas | Abmessungen | Размеры



Note | Nota | Remarque | Notas | Hinweis | Примечание

All dimensions in mm tolerance  $\pm 5\%$  for below 200mm and  $\pm 3\%$  for above 200mm | Tutte le dimensioni hanno una tolleranza di  $\pm 5\%$  mm al di sotto dei 200mm e di  $\pm 3\%$  mm al di sopra dei 200mm | Toutes les dimensions en mm tolérance  $\pm 5\%$  pour moins de 200mm et  $\pm 3\%$  pour plus de 200mm | Todas las medidas en mm con tolerancia de 5% para menos de 200mm y 3% para más de 200mm | Alle Abmessungen in mm, Toleranz  $\pm 5\%$  für unter 200mm, und  $\pm 3\%$  für über 200mm | Все размеры указаны в мм, погрешность  $\pm 5\%$  ниже 200 мм и  $\pm 3\%$  выше 200 мм

Models | Modelli | Modèles | Modelos | Modelle | Модели



50X36 CM  
VARUC25000AWHA



FREE-FLOW  
CHROME : DUO002444

CLICK-CLACK  
CHROME : DUO000444

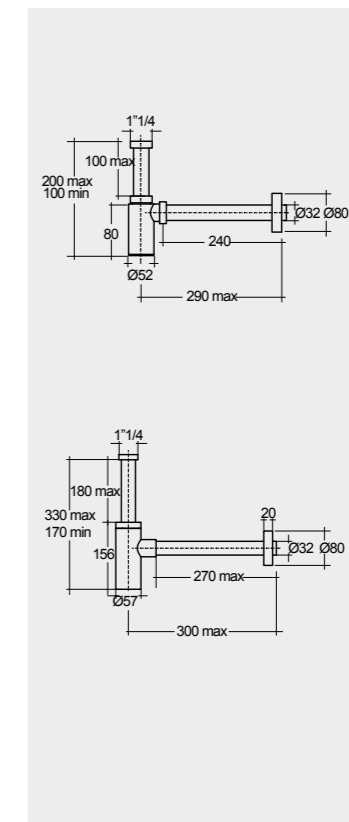
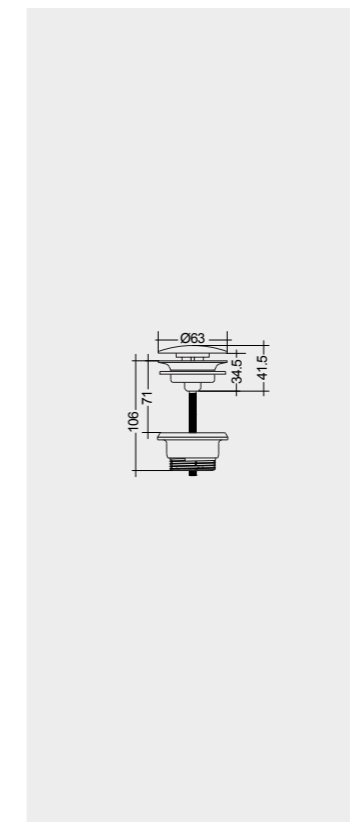
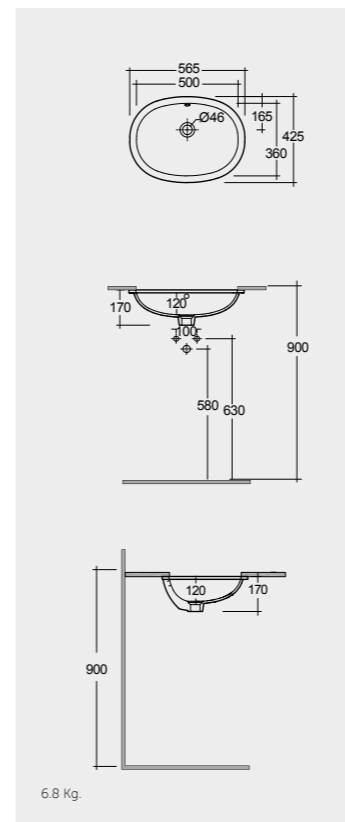


FOR WASH BASIN  
ABS CHROME : BTRWBABS002

FOR WASH BASIN  
INOX CHROME : BTRWBSST001

With Overflow

Measurements | Misure | Dimensions | Medidas | Abmessungen | Размеры



Inspectionable

# RAK-VARIANT / OVAL ELONGATED

Models | Modelli | Modèles | Modelos | Modelle | Модели



60X42 CM  
VARCT36001AWHA



60X42 CM  
VARDI36001AWHA

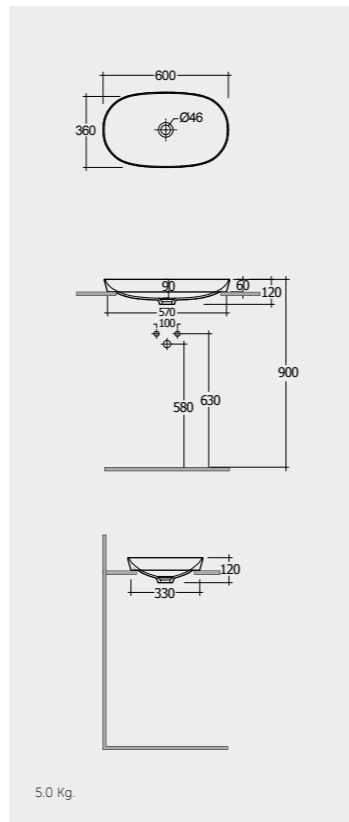
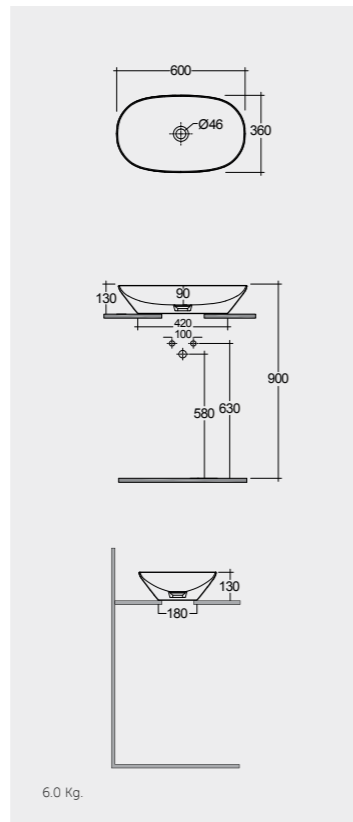
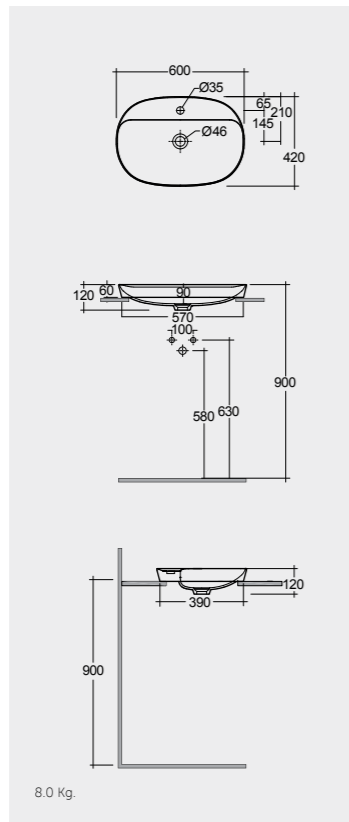
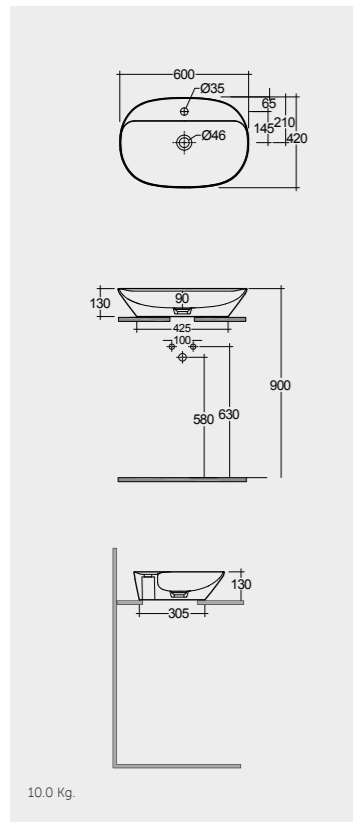


60X36 CM  
VARCT36000AWHA



60X36 CM  
VARDI36000AWHA

Measurements | Misure | Dimensions | Medidas | Abmessungen | Размеры



Note | Nota | Remarque | Notas | Hinweis | Примечание

All dimensions in mm tolerance  $\pm 5\%$  for below 200mm and  $\pm 3\%$  for above 200mm | Tutte le dimensioni hanno una tolleranza di  $\pm 5\%$  mm al di sotto dei 200mm e di  $\pm 3\%$  mm al di sopra dei 200mm | Toutes les dimensions en mm tolérance  $\pm 5\%$  pour moins de 200mm et  $\pm 3\%$  pour plus de 200mm | Todas las medidas en mm con tolerancia de 5% para menos de 200mm y 3% para más de 200mm | Alle Abmessungen in mm, Toleranz  $\pm 5\%$  für unter 200mm, und  $\pm 3\%$  für über 200mm | Все размеры указаны в мм, погрешность  $\pm 5\%$  ниже 200 мм и  $\pm 3\%$  выше 200 мм

Models | Modelli | Modèles | Modelos | Modelle | Модели



60X36 CM  
VARUC36000AWHA



FREE-FLOW  
CHROME : DUO002444

CLICK-CLACK  
CHROME : DUO000444

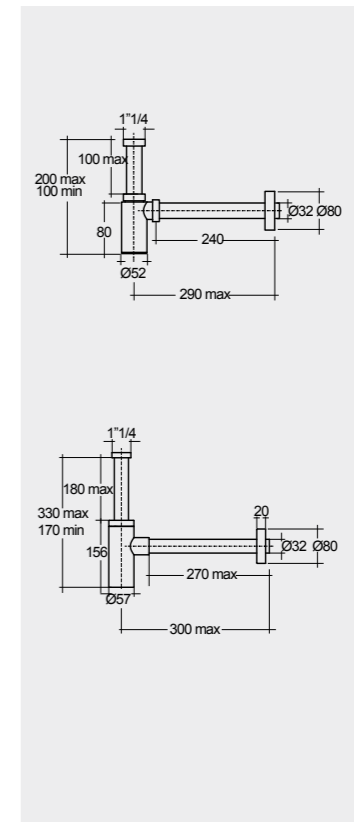
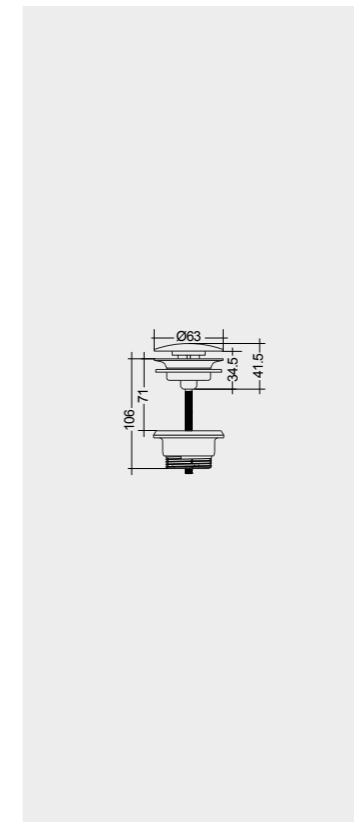
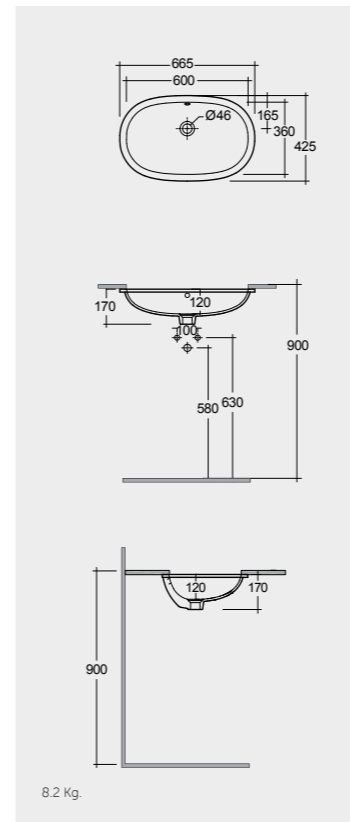


FOR WASH BASIN  
ABS CHROME : BTRWBABS002

FOR WASH BASIN  
INOX CHROME : BTRWBSST001

With Overflow

Measurements | Misure | Dimensions | Medidas | Abmessungen | Размеры



Inspectionable

# RAK-VARIANT / SQUARED

Models | Modelli | Modèles | Modelos | Modelle | Модели



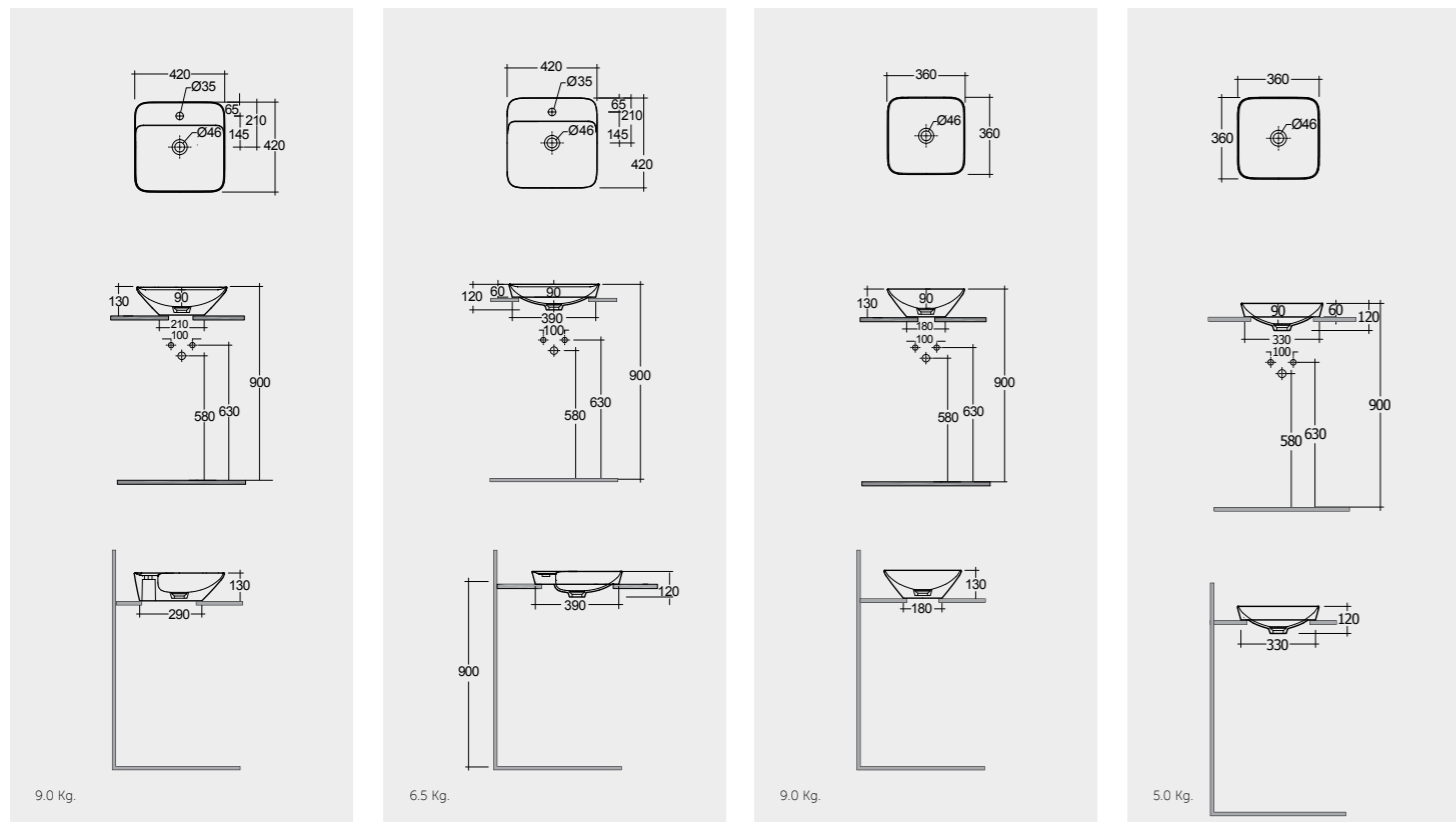
42X42 CM  
VARCT44201AWHA

42X42 CM  
VARDI44201AWHA

36X36 CM  
VARCT43600AWHA

36X36 CM  
VARDI43600AWHA

Measurements | Misure | Dimensions | Medidas | Abmessungen | Размеры



Note | Nota | Remarque | Notas | Hinweis | Примечание

All dimensions in mm tolerance  $\pm 5\%$  for below 200mm and  $\pm 3\%$  for above 200mm | Tutte le dimensioni hanno una tolleranza di  $\pm 5\%$  mm al di sotto dei 200mm e di  $\pm 3\%$  mm al di sopra dei 200mm | Toutes les dimensions en mm tolérance  $\pm 5\%$  pour moins de 200mm et  $\pm 3\%$  pour plus de 200mm | Todas las medidas en mm con tolerancia de 5% para menos de 200mm y 3% para más de 200mm | Alle Abmessungen in mm, Toleranz  $\pm 5\%$  für unter 200mm, und  $\pm 3\%$  für über 200mm | Все размеры указаны в мм, погрешность  $\pm 5\%$  ниже 200 мм и  $\pm 3\%$  выше 200 мм

Models | Modelli | Modèles | Modelos | Modelle | Модели



36X36 CM  
VARUC43600AWHA

FREE-FLOW  
CHROME : DUO002444

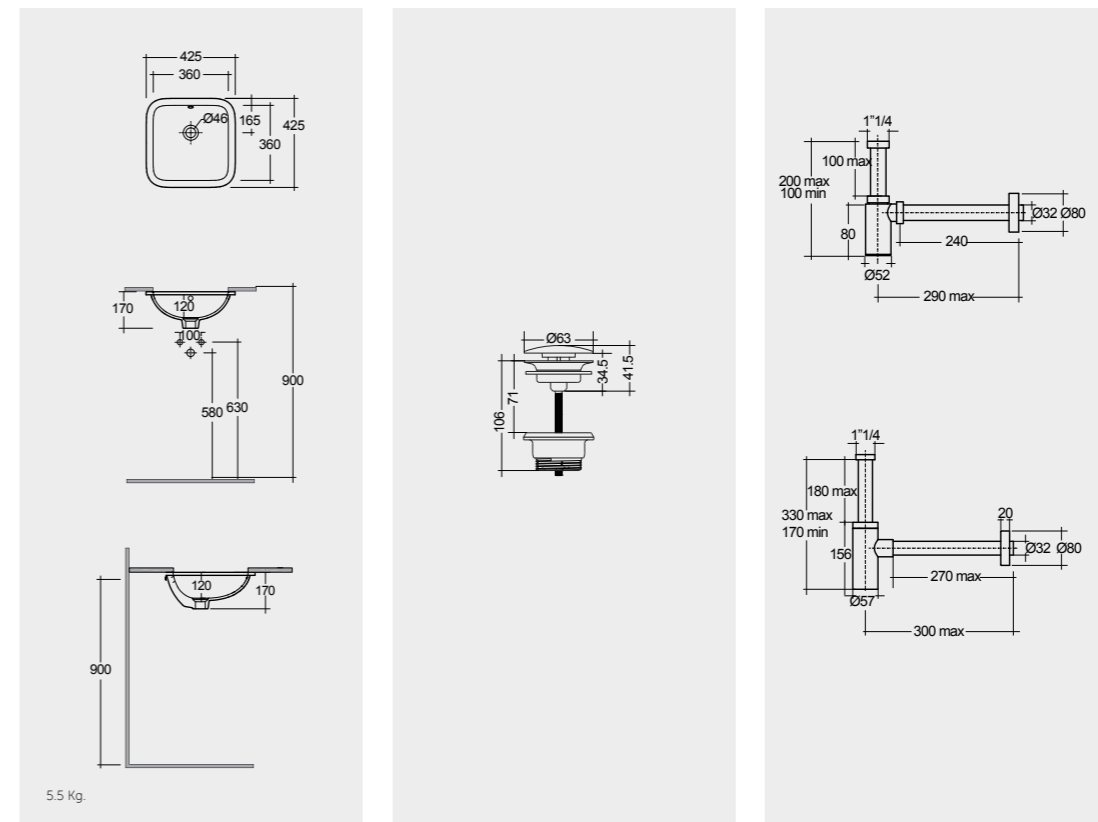
CLICK-CLACK  
CHROME : DUO000444

FOR WASH BASIN  
ABS CHROME : BTRWBABS002

FOR WASH BASIN  
INOX CHROME : BTRWBSST001

With Overflow

Measurements | Misure | Dimensions | Medidas | Abmessungen | Размеры



Inspectionable



# RAK-VARIANT / RECTANGLE

Models | Modelli | Modèles | Modelos | Modelle | Модели



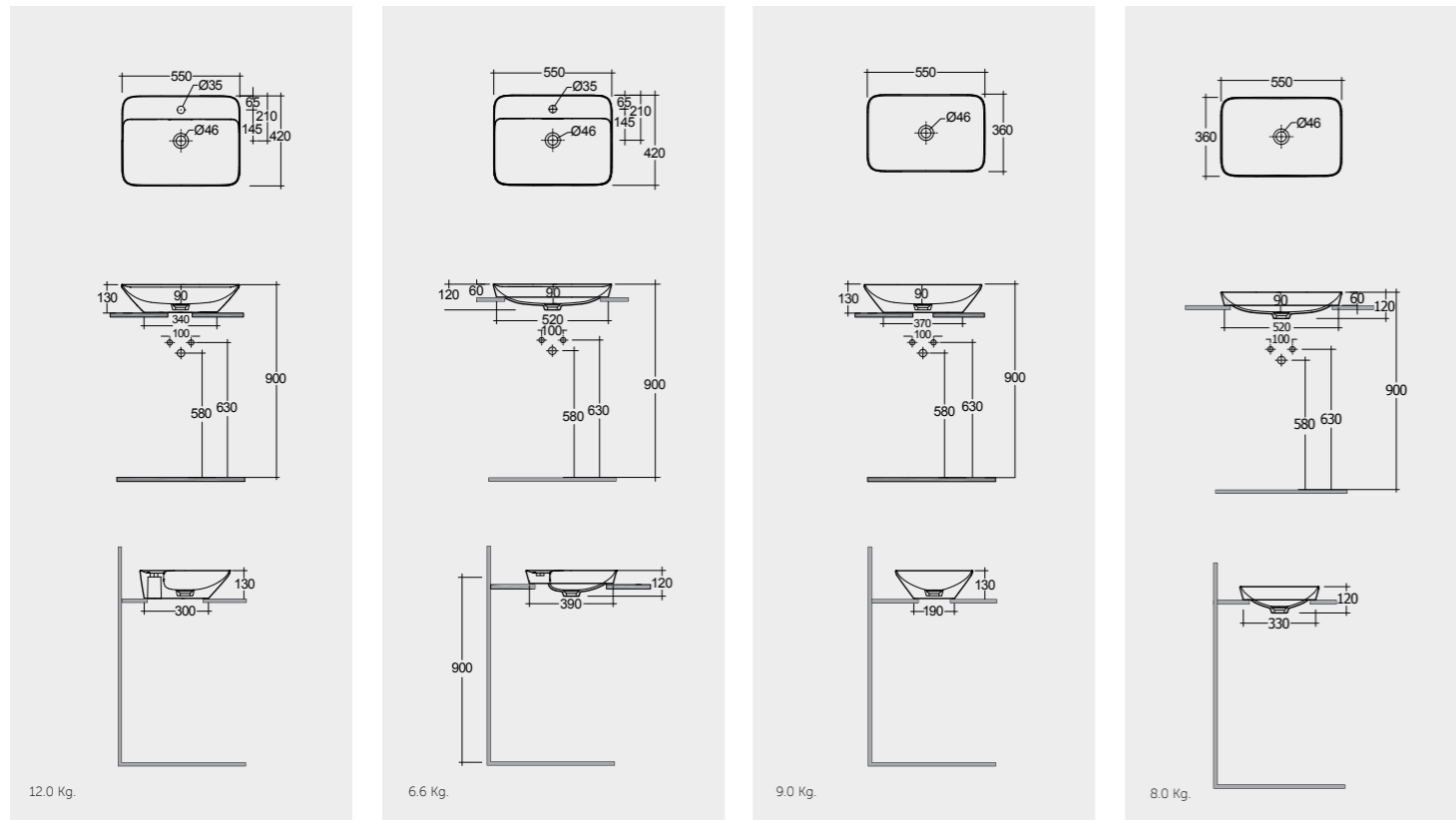
55X42 CM  
VARCT55501AWHA

55X42 CM  
VARDI55501AWHA

55X36 CM  
VARCT55500AWHA

55X36 CM  
VARDI55500AWHA

Measurements | Misure | Dimensions | Medidas | Abmessungen | Размеры



Note | Nota | Remarque | Notas | Hinweis | Примечание

All dimensions in mm tolerance  $\pm 5\%$  for below 200mm and  $\pm 3\%$  for above 200mm | Tutte le dimensioni hanno una tolleranza di  $\pm 5\%$  mm al di sotto dei 200mm e di  $\pm 3\%$  mm al di sopra dei 200mm | Toutes les dimensions en mm tolérance  $\pm 5\%$  pour moins de 200mm et  $\pm 3\%$  pour plus de 200mm | Todas las medidas en mm con tolerancia de 5% para menos de 200mm y 3% para más de 200mm | Alle Abmessungen in mm, Toleranz  $\pm 5\%$  für unter 200mm, und  $\pm 3\%$  für über 200mm | Все размеры указаны в мм, погрешность  $\pm 5\%$  ниже 200 мм и  $\pm 3\%$  выше 200 мм

Models | Modelli | Modèles | Modelos | Modelle | Модели



55X36 CM  
VARUC55500AWHA

FREE-FLOW  
CHROME : DUO002444

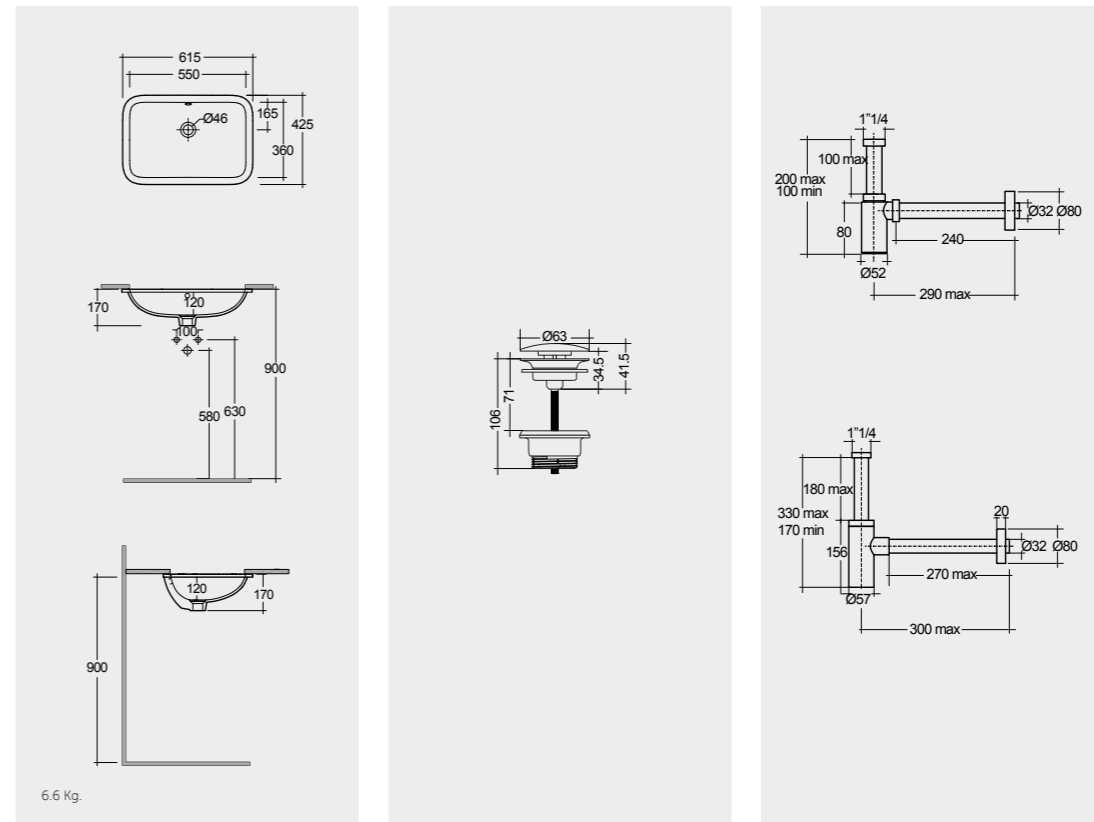
CLICK-CLACK  
CHROME : DUO000444

FOR WASH BASIN  
ABS CHROME : BTRWBABS002

FOR WASH BASIN  
INOX CHROME : BTRWBSST001

With Overflow

Measurements | Misure | Dimensions | Medidas | Abmessungen | Размеры



Inspectionable







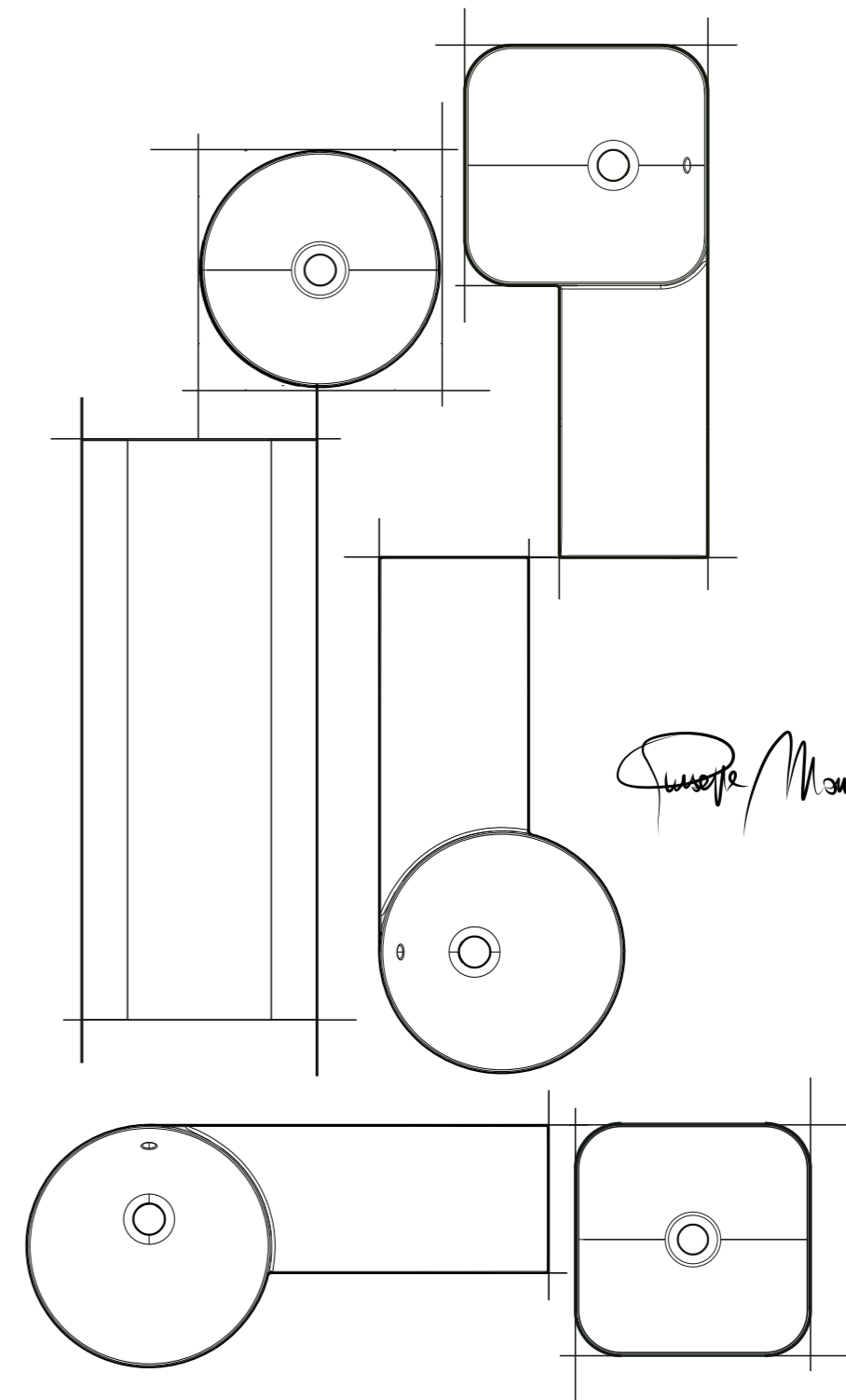
# RAK-PETIT

RAK-Petit is the second chapter of the successful collaboration with Maurizio Scutellà. A transversal collection of small washbasins designed for architects and interior designers who address the theme of small spaces: with minimal shapes and small dimensions, RAK-Petit is perfect for small but special bathrooms and for furnishing elegant public spaces. The collection includes deep-based washbasins that can be installed alone or compatible with RAK-Joy vanities for home use and freestanding washbasins for representative or public bathrooms.


## Design by Giuseppe Maurizio Scutellà

Giuseppe Maurizio Scutellà was born in Alcamo, Sicily. His collaboration with RAK Ceramics begins with RAK-Cloud (2018), a project that continues the creative thinking of the Italian designer and that integrates perfectly with his other projects such as the collection of lamps "Pirce" by Artemide (Good\_Design 2008, Red Dot Award 2009, IF Design Award 2010) and the "Metropolis" collection of crystal and ceramic tables by Tonelli Design. RAK-Petit is the second concept developed together with RAK Ceramics (2019).

"I like to talk with the soul of all my projects, discover its history and capturing the most hidden hues of its character, respecting its nature and embracing its languages. It is my way of approaching its magical essence and becoming its interpreter".





 36 CM  
PETFS13600AWHA





W 40 x D 3 x H 68CM  
JOYMR04068STD


77 CM Right Ledge  
PETWB47701AWHA






 W 80 x D 3 x H 80 CM  
JOYMR08000LED


 36 CM  
PETFS13600AWHA

 121 CM  
PLASL12146EGY

 EGY


 W 80 x D 46 x H 60 CM  
UNOWH080EGY

 EGY

 60 CM  
JOYOS040MGY

 MGY

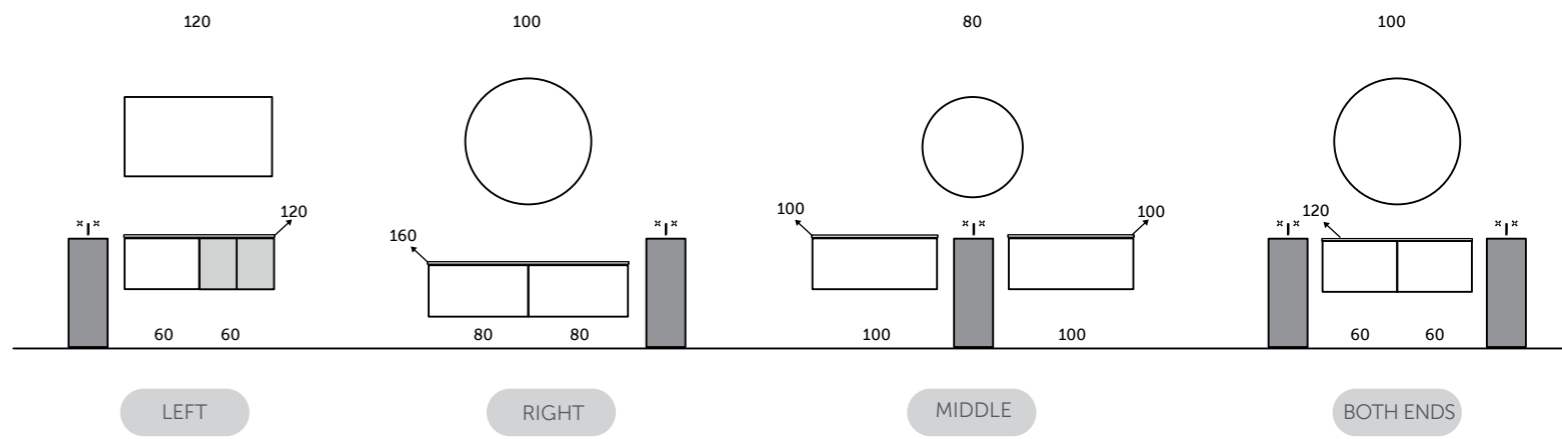


 36 CM  
PETFS23600AWHA

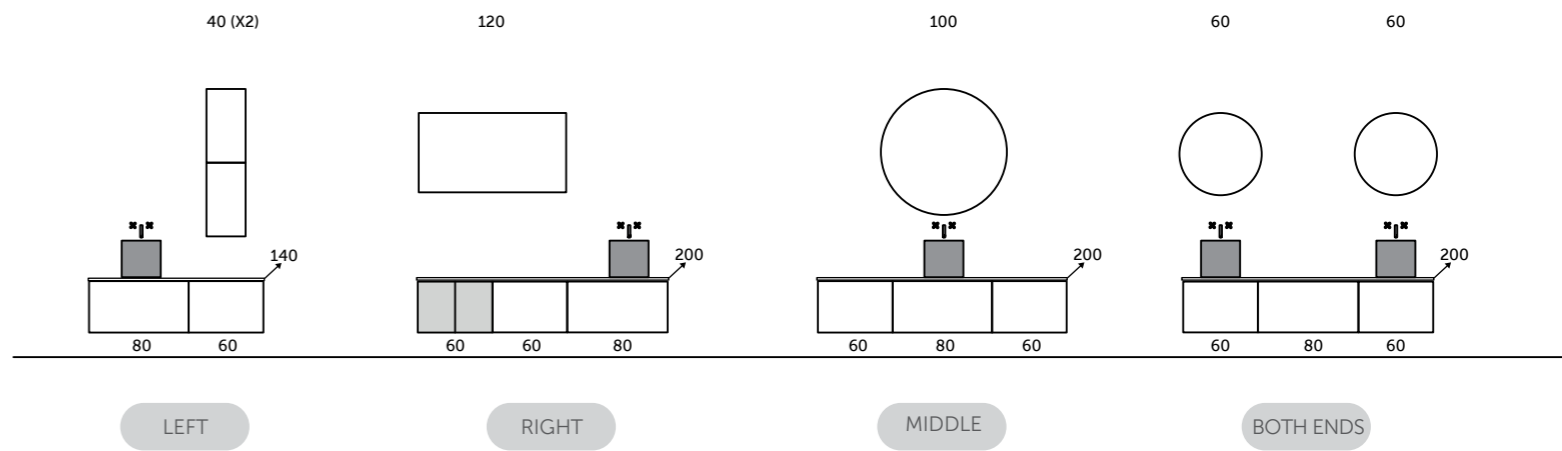




RAK-PETIT FREESTANDING WB



RAK-PETIT TALL COUNTERTOP WB



Models | Modelli | Modèles | Modelos | Modelle | Модели



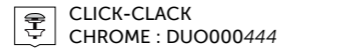
36 CM  
PETFS13600AWHA



36 CM  
PETFS23600AWHA



FREE-FLOW  
CHROME : DUO002444



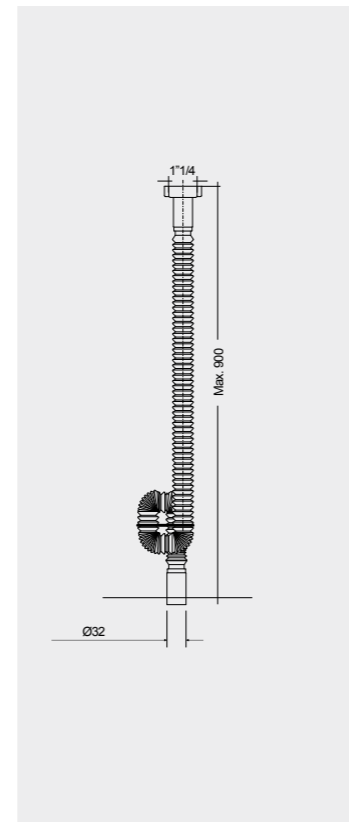
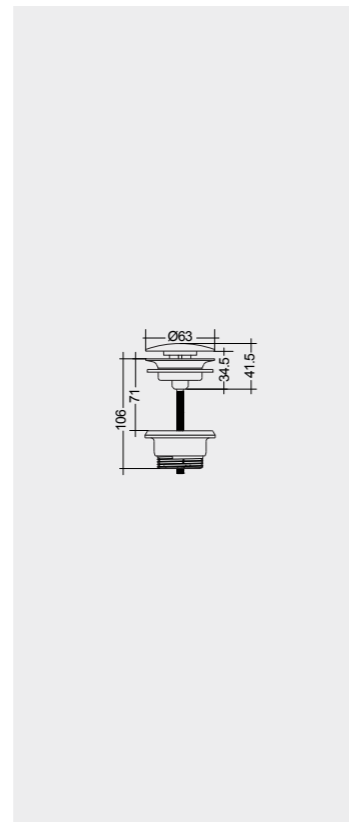
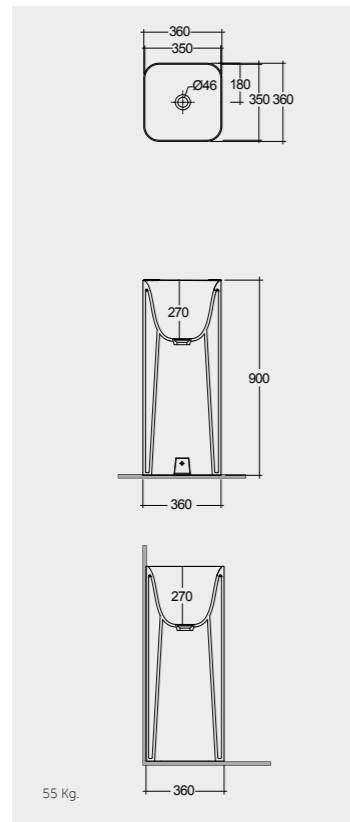
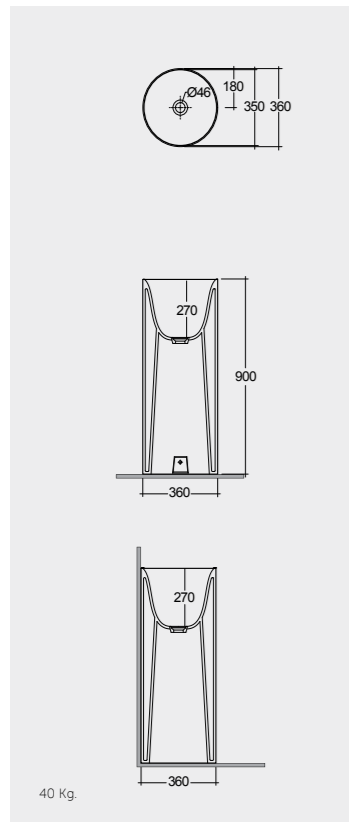
CLICK-CLACK  
CHROME : DUO000444



FOR FLOOR OUTLET WASH BASIN  
PP WHITE : BTRFSPPR001

With Siphon Clip Holder

Measurements | Misure | Dimensions | Medidas | Abmessungen | Размеры



Note | Nota | Remarque | Notas | Hinweis | Примечание

All dimensions in mm tolerance  $\pm 5\%$  for below 200mm and  $\pm 3\%$  for above 200mm | Tutte le dimensioni hanno una tolleranza di  $\pm 5\%$  mm al di sotto dei 200mm e di  $\pm 3\%$  mm al di sopra dei 200mm | Toutes les dimensions en mm tolérance  $\pm 5\%$  pour moins de 200mm et  $\pm 3\%$  pour plus de 200mm | Todas las medidas en mm con tolerancia de 5% para menos de 200mm y 3% para más de 200mm | Alle Abmessungen in mm, Toleranz  $\pm 5\%$  für unter 200mm, und  $\pm 3\%$  für über 200mm | Все размеры указаны в мм, погрешность  $\pm 5\%$  ниже 200 мм и  $\pm 3\%$  выше 200 мм



# RAK-PETIT

Models | Modelli | Modèles | Modelos | Modelle | Модели



36 CM  
PETCT13400AWHA



36 CM  
PETCT23400AWHA



FREE-FLOW  
CHROME : DUO002444

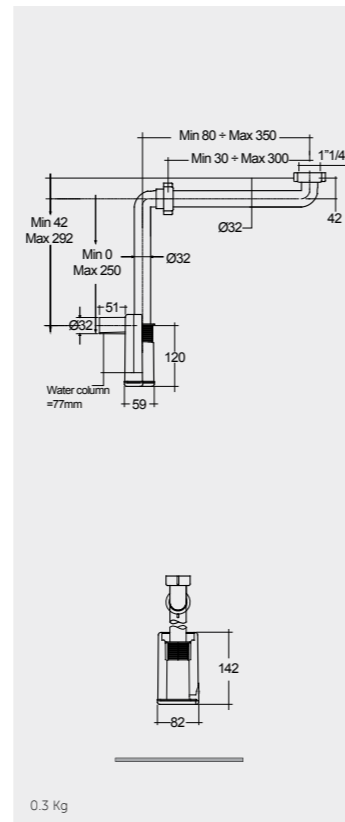
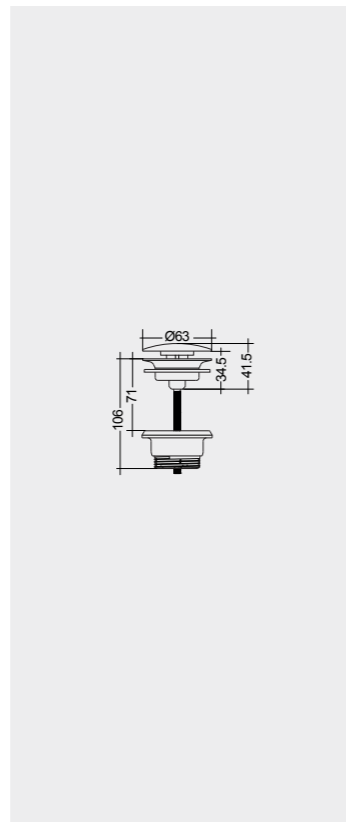
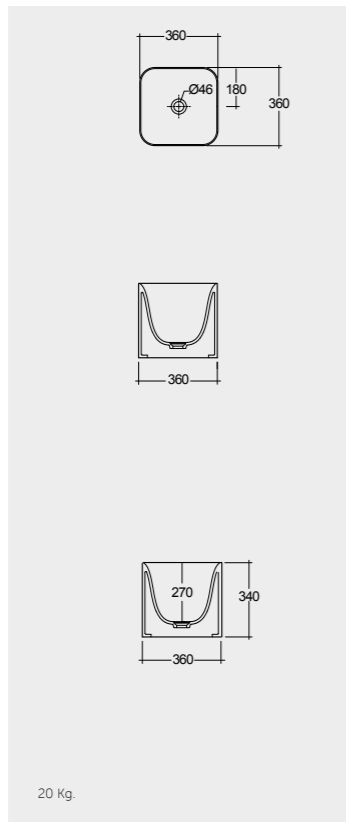
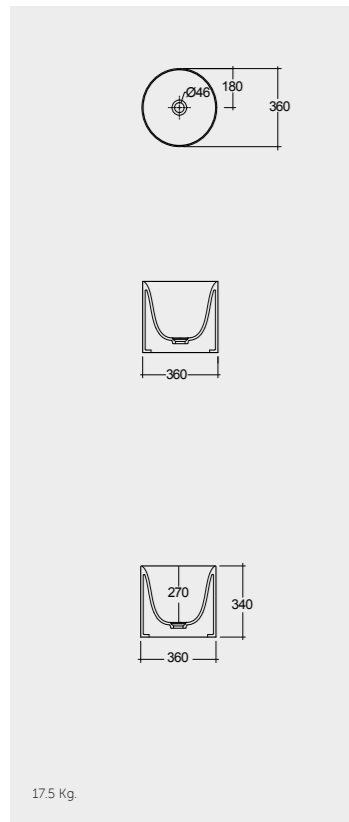
CLICK-CLACK  
CHROME : DUO000444



FOR VANITY  
PP WHITE : BTRWBPPR022

Inspectionable  
Space Saving

Measurements | Misure | Dimensions | Medidas | Abmessungen | Размеры



Note | Nota | Remarque | Notas | Hinweis | Примечание

All dimensions in mm tolerance  $\pm 5\%$  for below 200mm and  $\pm 3\%$  for above 200mm | Tutte le dimensioni hanno una tolleranza di  $\pm 5\%$  mm al di sotto dei 200mm e di  $\pm 3\%$  mm al di sopra dei 200mm | Toutes les dimensions en mm tolérance  $\pm 5\%$  pour moins de 200mm et  $\pm 3\%$  pour plus de 200mm | Todas las medidas en mm con tolerancia de 5% para menos de 200mm y 3% para más de 200mm | Alle Abmessungen in mm, Toleranz  $\pm 5\%$  für unter 200mm, und  $\pm 3\%$  für über 200mm | Все размеры указаны в мм, погрешность  $\pm 5\%$  ниже 200 мм и  $\pm 3\%$  выше 200 мм



# RAK-PETIT WITH RAK-PLANO SURFACES



61 CM  
PLASL06146EGY

Suitable for RAK-PETIT WB :  
36 CM round & squared



81 CM  
PLASL08146EGY

Suitable for RAK-PETIT WB :  
36 CM round & squared



101 CM  
PLASL10146EGY

Suitable for RAK-PETIT WB :  
36 CM round & squared



121 CM  
PLASL12146EGY

Suitable for RAK-PETIT WB :  
36 CM round & squared



141 CM  
PLASL14146EGY

Suitable for RAK-PETIT WB :  
36 CM round & squared



161 CM  
PLASL16146EGY

Suitable for RAK-PETIT WB :



181 CM  
PLASL18146EGY

Suitable for RAK-PETIT WB :  
36 CM round & squared

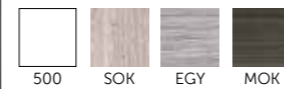


201 CM  
PLASL20146EGY

Suitable for RAK-PETIT WB :  
36 CM round & squared

### RAK-PLANO - COLORS AND FINISHES

RAK-PLANO - FINITURE E COLORI |  
RAK-PLANO - FINITURES ET COULEURS |  
RAK-PLANO - COLORES Y ACABADOS |  
RAK-PLANO - OBERFLÄCHEN UND FARBEN |  
RAK-PLANO - ЦВЕТА И ОТДЕЛКА



FOR VANITY (RAK-JOY UNO)  
PP WHITE : BTRWBPPR022



Models | Modelli | Modèles | Modelos | Modelle | Модели



77 CM Right Ledge  
PETWB27701AWHA



77 CM Right Ledge  
PETWB27700AWHA



77 CM Left Ledge  
PETWB17701AWHA

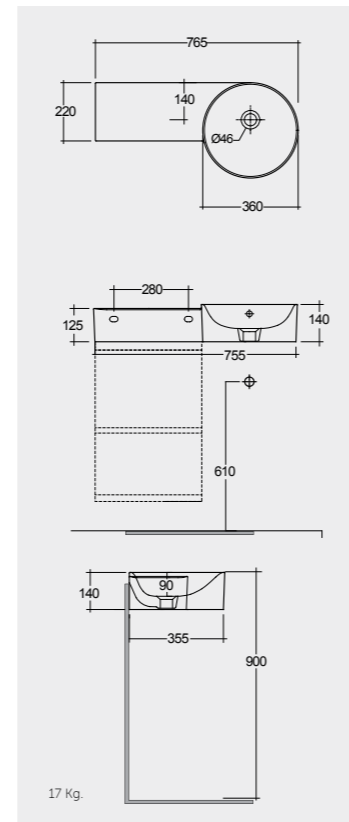
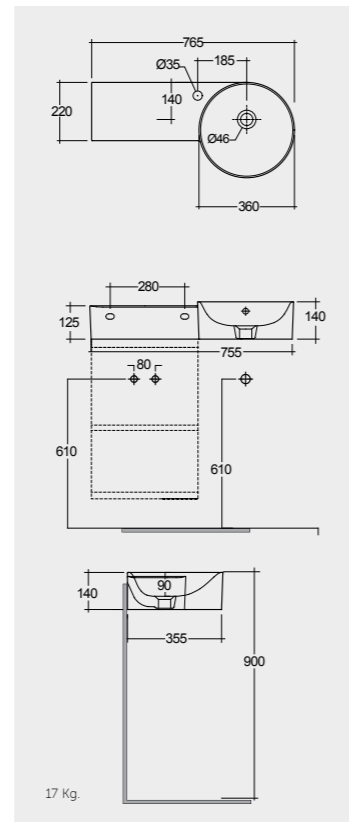
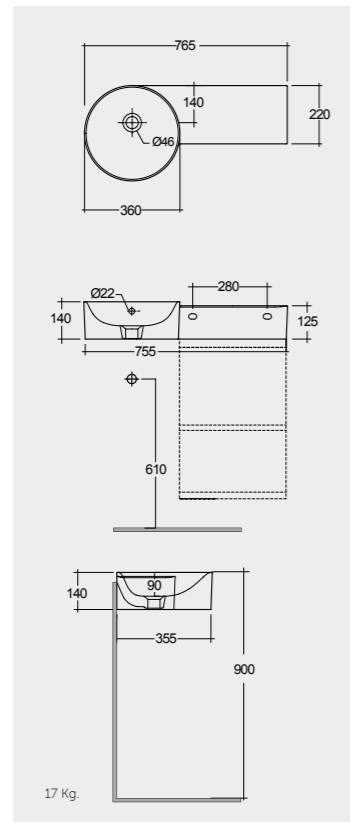
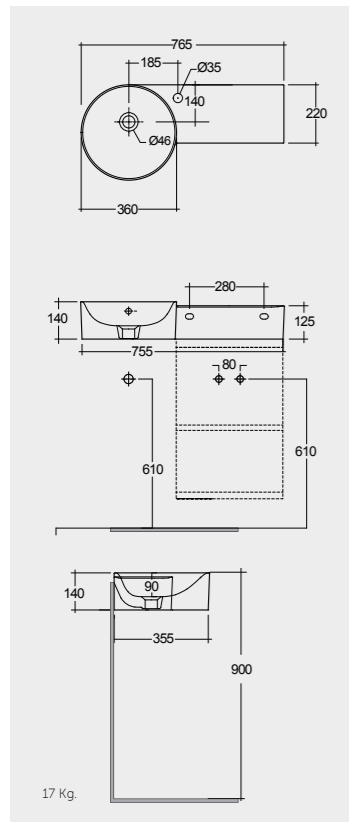


77 CM Left Ledge  
PETWB17700AWHA

No Faucet Hole

No Faucet Hole

Measurements | Misure | Dimensions | Medidas | Abmessungen | Размеры



Note | Nota | Remarque | Notas | Hinweis | Примечание

All dimensions in mm tolerance  $\pm 5\%$  for below 200mm and  $\pm 3\%$  for above 200mm | Tutte le dimensioni hanno una tolleranza di  $\pm 5\%$  mm al di sotto dei 200mm e di  $\pm 3\%$  mm al di sopra dei 200mm | Toutes les dimensions en mm tolérance  $\pm 5\%$  pour moins de 200mm et  $\pm 3\%$  pour plus de 200mm | Todas las medidas en mm con tolerancia de 5% para menos de 200mm y 3% para más de 200mm | Alle Abmessungen in mm, Toleranz  $\pm 5\%$  für unter 200mm, und  $\pm 3\%$  für über 200mm | Все размеры указаны в мм, погрешность  $\pm 5\%$  ниже 200 мм и  $\pm 3\%$  выше 200 мм



JOYWH040PWH



JOYWH040UGY



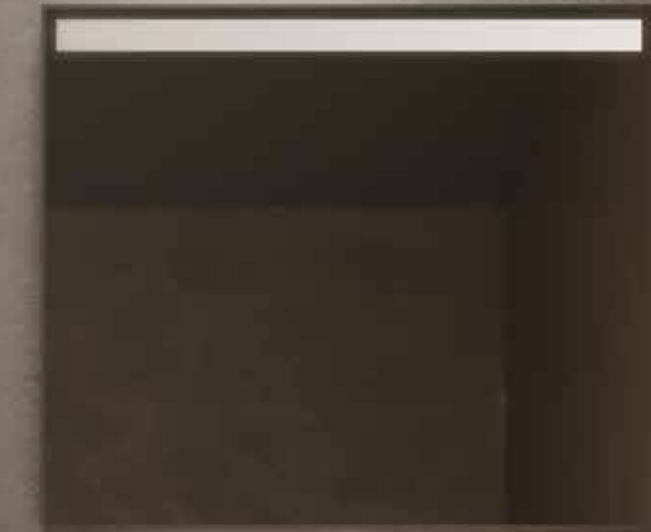
JOYWH040SOK



JOYWH040EGY



JOYWH040MOK



# RAK-PETIT

Models | Modelli | Modèles | Modelos | Modelle | Модели



77 CM Right Ledge  
PETWB47701AWHA

77 CM Right Ledge  
PETWB47700AWHA

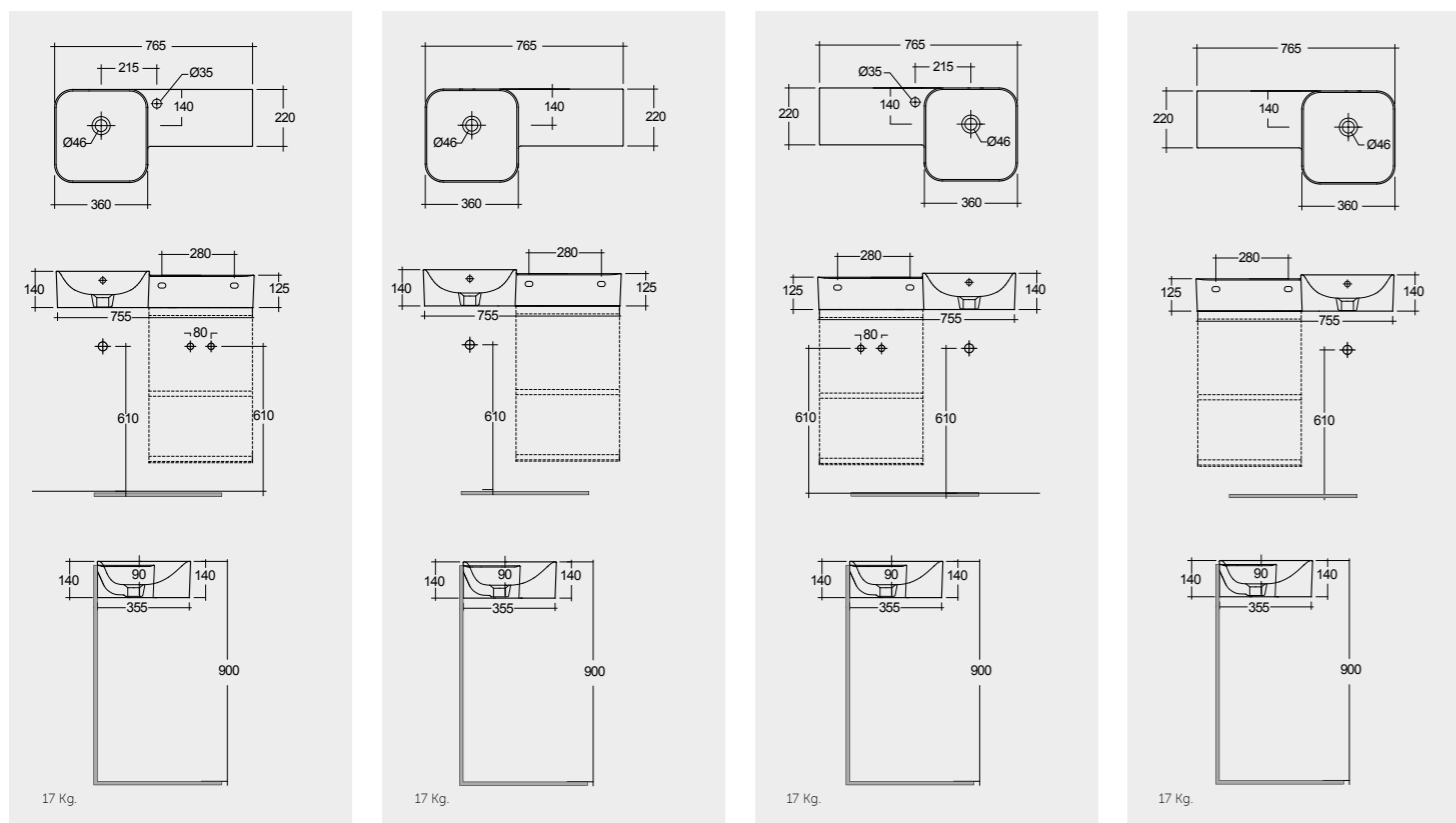
77 CM Left Ledge  
PETWB37701AWHA

77 CM Left Ledge  
PETWB37700AWHA

No Faucet Hole

No Faucet Hole

Measurements | Misure | Dimensions | Medidas | Abmessungen | Размеры



Note | Nota | Remarque | Notas | Hinweis | Примечание

All dimensions in mm tolerance  $\pm 5\%$  for below 200mm and  $\pm 3\%$  for above 200mm | Tutte le dimensioni hanno una tolleranza di  $\pm 5\%$  mm al di sotto dei 200mm e di  $\pm 3\%$  mm al di sopra dei 200mm | Toutes les dimensions en mm tolérance  $\pm 5\%$  pour moins de 200mm et  $\pm 3\%$  pour plus de 200mm | Todas las medidas en mm con tolerancia de 5% para menos de 200mm y 3% para más de 200mm | Alle Abmessungen in mm, Toleranz  $\pm 5\%$  für unter 200mm, und  $\pm 3\%$  für über 200mm | Все размеры указаны в мм, погрешность  $\pm 5\%$  ниже 200 мм и  $\pm 3\%$  выше 200 мм



JOYWH040PWH

JOYWH040UGY

JOYWH040SOK

JOYWH040EGY

JOYWH040MOK





Models | Modelli | Modèles | Modelos | Modelle | Модели



W 40 x D 22 x H 60CM  
JOYWH040UGY



FREE-FLOW  
CHROME : DUO002444

CLICK-CLACK  
CHROME : DUO000444

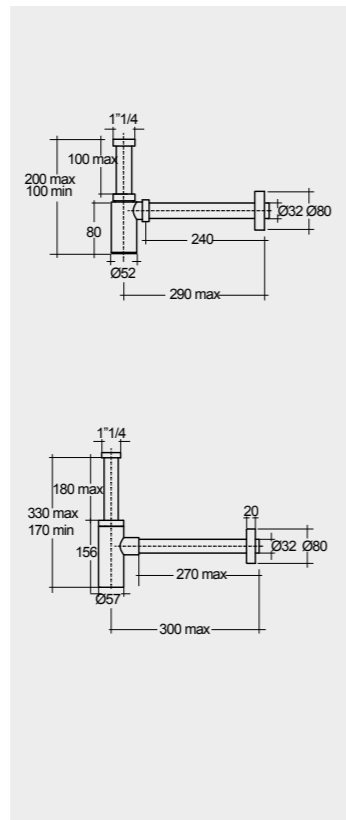
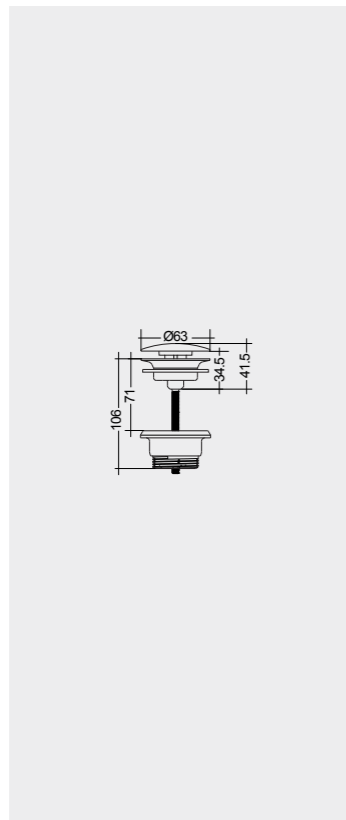
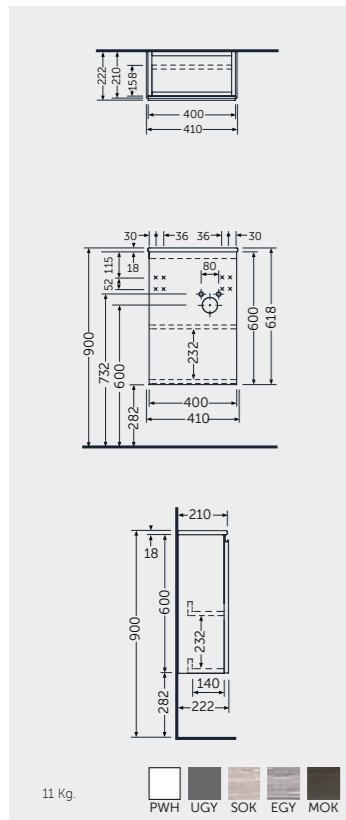


FOR WASH BASIN  
ABS CHROME : BTRWBABS002

FOR WASH BASIN  
INOX CHROME : BTRWBSST001

Inspectionable

Measurements | Misure | Dimensions | Medidas | Abmessungen | Размеры



Note | Nota | Remarque | Notas | Hinweis | Примечание

All dimensions in mm tolerance  $\pm 5\%$  for below 200mm and  $\pm 3\%$  for above 200mm | Tutte le dimensioni hanno una tolleranza di  $\pm 5\%$  mm al di sotto dei 200mm e di  $\pm 3\%$  mm al di sopra dei 200mm | Toutes les dimensions en mm tolérance  $\pm 5\%$  pour moins de 200mm et  $\pm 3\%$  pour plus de 200mm | Todas las medidas en mm con tolerancia de 5% para menos de 200mm y 3% para más de 200mm | Alle Abmessungen in mm, Toleranz  $\pm 5\%$  für unter 200mm, und  $\pm 3\%$  für über 200mm | Все размеры указаны в мм, погрешность  $\pm 5\%$  ниже 200 мм и  $\pm 3\%$  выше 200 мм



# RAK-PETIT WITH RAK-JOY MIRRORS & LIGHTS



AVAILABLE MIRRORS SIZES:

W 60 x D 18 x H 68CM  
JOYMC06002

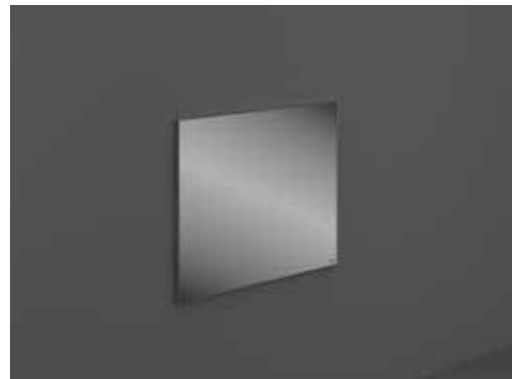
W 80 x D 18 x H 68CM  
JOYMC08002

W 100 x D 18 x H 68CM  
JOYMC10003

120CM = 2x W 60 x D 18 x H 68CM Units  
JOYMC06002 x2



ABS: JOYTB6000CR1  
Cool White 6000K  
450 Lumens



AVAILABLE MIRRORS SIZES:

W 40 x D 3 x H 68CM  
JOYMR04068STD

W 60 x D 3 x H 68CM  
JOYMR06068STD

W 80 x D 3 x H 68CM  
JOYMR08068STD

W 100 x D 3 x H 68CM  
JOYMR10068STD

W 120 x D 3 x H 68CM  
JOYMR12068STD



ABS: JOYTB6000CR1  
Cool White 6000K  
450 Lumens



AVAILABLE MIRRORS SIZES:

W 40 x D 3 x H 68CM  
JOYMR04068LED

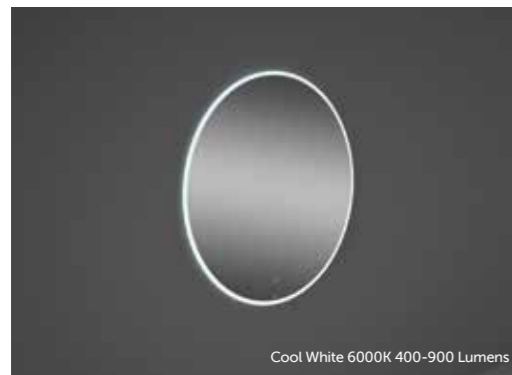
W 60 x D 3 x H 68CM  
JOYMR06068LED

W 80 x D 3 x H 68CM  
JOYMR08068LED

W 100 x D 3 x H 68CM  
JOYMR10068LED

W 120 x D 3 x H 68CM  
JOYMR12068LED

Cool White 6000K 400-900 Lumens



AVAILABLE MIRRORS SIZES:

W 60 x D 3 x H 60CM  
JOYMR06000LED

W 80 x D 3 x H 80CM  
JOYMR08000LED

W 100 x D 3 x H 100CM  
JOYMR10000LED

Cool White 6000K 400-900 Lumens



## ICONS



**WASH BASIN**  
Lavabo  
Lavabo  
Waschbecken  
Раковина



**WATER CLOSET**  
WC  
WCs  
Wasserklosett  
Унитаз



**SEAT AND COVER**  
Sedile e coperchio  
Siège et couvercle  
Sitz und Deckel  
Сиденье и крышка



**BIDET**  
Bidet  
Bidet  
Bidet  
Биде



**COUNTER TOP SLAB+BOWL**  
Piano d'appoggio + ciotola  
Plan + vasque à poser  
Platte + Aufsatzwaschbecken  
Цельнолитая столешница + чаша



**SHOWER TRAY**  
Piatto doccia  
Receveur de douche  
Duschwanne  
Душевой поддон



**ACRYLIC BATHTUB**  
Vasca da bagno in acrilico  
Baignoire en acrylique  
Acryl-Badewanne  
Акриловая ванна



**PUSH PLATES**  
Placche di comando  
Plaques-poussoirs  
Spültasten  
Нажимные Пластины



**WALL HUNG MIRROR**  
Specchio a parete  
Miroir  
Wandspiegel  
Подвесное зеркало



**FREE STANDING WASH BASIN**  
Lavabo free standing  
Lavabo freestanding  
Freistehendes Waschbecken  
Напольная раковина



**COUNTER TOP WASH BASIN**  
Lavabo da appoggio  
Lavabo sur comptoir  
Aufsatzwaschbecken  
Накладная раковина



**DROP IN WASH BASIN**  
Incasso  
A encastrer  
Einbauwaschbecken  
Встраиваемая раковина



**UNDER COUNTER WASH BASIN**  
Lavabo sottopiano  
Lavabo sous comptoir  
Unterbauwaschbecken  
Раковина под столешницу



**SEMI RECESSED WASH BASIN**  
Lavabo da semi incasso  
Lavabo semi-encasté  
Vorbauwaschbecken  
Полувстроенная раковина



**WALL HUNG WASH BASIN**  
Lavabo sospeso  
Lavabo suspendu au mur  
Wandwaschbecken  
Подвесная раковина



**BACK TO WALL WC**  
WC a filo muro  
WC posé au sol  
Stand WC  
Приставной унитаз



**WALL HUNG WC**  
WC sospeso  
WC contre le mur  
Wandhängendes WC  
Подвесной унитаз



**BACK TO WALL BIDET**  
Bidet a filo muro  
Bidet contre le mur  
Standbidet  
Приставное биде



**WALL HUNG BIDET**  
Bidet sospeso  
Bidet suspendu au mur  
Wandhängendes Bidet  
Подвесное биде



**BOTTLE TRAP**  
Sifone  
Siphon  
Siphon  
Бутылочный сифон

## TECHNICAL INFORMATION

Informazioni Tecniche  
Informations Techniques  
Información Técnica  
Technische Informationen  
Техническая информация



**P-TRAP**  
A parete  
Murale  
Waagrechtter Abgang  
Выход в стену



**S-TRAP**  
A terra  
Au sol  
Senkrechtter Abgang  
Выход в пол



**SOFT CLOSE**  
Chiusura morbida  
Avec fermeture  
Absenkautomatik  
Плавное закрытие



**QUICK RELEASE**  
Montaggio rapido  
À Démontage rapide  
Schnell abnehmbar  
Быстростъемное



**SPRAY DOUCHE SET**  
Doccetta bidet  
Bidet-douche  
Duschbidet  
Душ-биде



**REVERSIBLE**  
Reversibile  
Réversible  
Reversibel  
Реверсионный



**WASTE**  
Piletta  
Bonde  
Ablaufventil  
Сливной Фильтр



**TOUCHLESS FLUSHING**  
Sistemi di risciacquo touchless  
Rinçage sans contact  
Kontaktlose Spülung  
Бесконтактный смыв



**LED LIGHT**  
LED Luce  
LED Lumière  
LUZ LED  
LED Licht  
Светодиодная (led) подсветка



**MAINS POWERED**  
Alimentazione da rete  
Alimentation secteur  
Alimentacion de red  
Netz betrieben  
Питание от сети



**COMPATIBLE WITH 4.5L DUAL**  
Compatibile con doppio scarico 4.5l  
Compatible avec le système de double chasse à 4.5 litres  
Kompatibel mit dem Spülregulierungssystem mit 4.5 Liter  
Совместим с двойным сливом на 4,5 л



**3L DUAL FLUSHING**  
Doppio scarico 3L  
Double drain 3L  
3 Liter Wassersparspülssystem  
двойным сливом на 3 л

RAK CERAMICS  
P.O. Box 4714, Ras Al Khaimah,  
United Arab Emirates (U.A.E.)  
Tel.: +971 7 2467000  
Fax: +971 7 2445270  
Email : info@rakceramics.com

**RAK CERAMICS.COM**

All ceramic cistern codes refer to bottom inlet version; all washbasin codes refer to one tap hole version, unless differently specified.

Tutti i codici per le cisterne si riferiscono alla versione con carico dal basso; tutti i codici dei lavabi si riferiscono alla versione con un foro, se non diversamente specificato.  
l'entrée de l'eau de tous les réservoirs pour nos wc monobloc ets positionnée dans la partie inférieure; tous nos lavabos sont prévus avec un seul trou pour les robinets (sauf spécification différente)

Todos los códigos de las cisternas de cerámica se refieren a la versión con entrada inferior; todos los códigos de los lavabos se refieren a la versión con un agujero para grifo, salvo en caso de especificarse diversamente.  
Alle Zulaufe für den Spülkasten befinden sich im unteren Bereichs des WCs; Alle Kodes der Waschbecken beziehen sich auf die Version mit einem Loch, falls nicht anders angegeben.

Если иное не указано, все коды для керамического бачка относятся к варианту с впускным отверстием снизу; все коды для раковины относятся к варианту с одним отверстием для крана.

# RAK

CERAMICS