

# FURNITURE & MIRRORS



**RAK**  
CERAMICS

**RAK**  
CERAMICS

## Index

<b>RAK-JOY UNO</b>	<b>17</b>
<b>RAK-JOY</b>	<b>41</b>
<b>WASHBASINS</b>	<b>59</b>
<b>RAK-PLANO</b>	<b>71</b>
<b>RAK-PRECIOUS</b>	<b>97</b>
<b>MIRRORS &amp; LIGHTS</b>	<b>111</b>



## We play our role for a better environment and society

Sustainability in every sphere of business is one of the main elements of RAK Ceramics mission statement. The company is committed to practicing environmental stewardship throughout its manufacturing chain – from product design and efficient operations processes – and to playing an active role in building a better community by enhancing the surrounding environment. Organization's activities improve energy efficiency, reduce pollution, enhance biodiversity and improve the quality of life for both people in the communities it operates in and for its workforce. It recycles natural raw materials to help conserve natural resources and adopts clean development mechanism (cdm) projects to reduce carbon emissions during the manufacturing process.

RAK Ceramics is the first ceramics manufacturing company in its region to produce a global reporting initiative (GRI) sustainability and corporate social responsibility (CSR) report, based on the latest GRI-g4 guidelines. RAK Ceramics is a founding member of Emirates Green Building Council, which supports the development of sustainable buildings in the UAE.

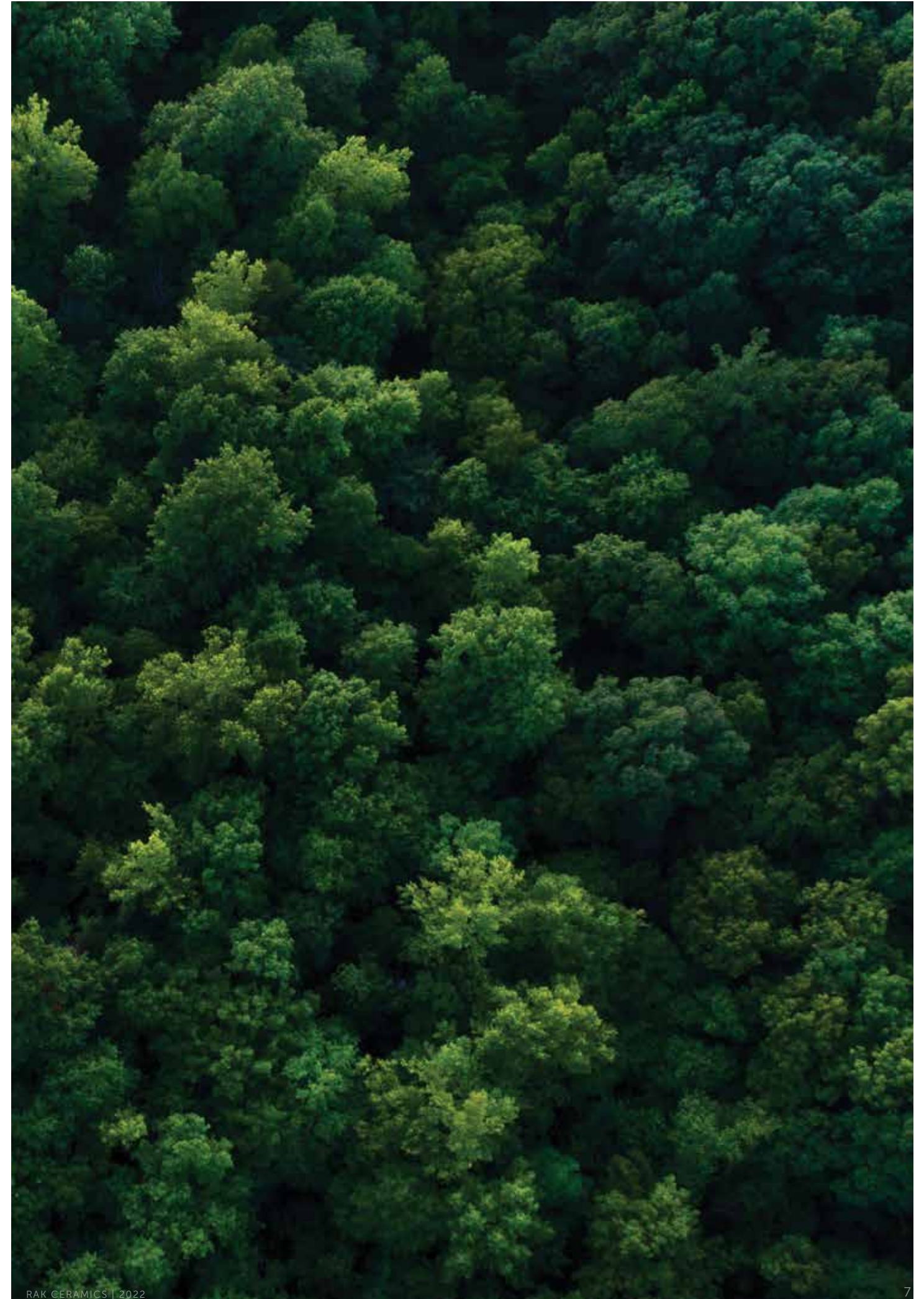
### FROM RESPONSIBLE SOURCES FSC® CERTIFIED

The RAK-JOY wooden furniture collection respects the environment and the life of the furniture itself. All particleboard and MDF used in the construction of this striking furniture collection comes from responsible sources FSC certified, respecting the forests, the people and wildlife who call them home.

For more information: [www.fsc.org](http://www.fsc.org)



FSC® N002784





**WATER INGRESS TEST**

Prova di ingresso dell'acqua | Test d'entrée d'eau | Prueba De Penetración Del Agua | Wassereintrittstest | Испытания водонепроницаемости



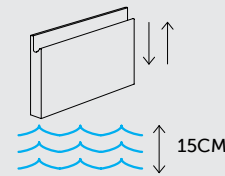
**All external panels including doors and drawers are subjected to 10 cycles over 5 days to water ingress tests and pass against no swelling or degradation of the panels.**

Tutti i pannelli esterni, compresi porte e cassetti, per 5 giorni vengono sottoposti a 10 cicli di prova di ingresso dell'acqua, che superano non presentando alcun gonfiore o degradazione dei pannelli.

Tous les panneaux extérieurs, y compris les portes et les tiroirs, sont soumis à 10 cycles sur 5 jours pour effectuer des tests d'infiltration d'eau et ne pas faire gonfler ou dégrader les panneaux. Todos los paneles externos, puertas y cajones incluidos, son sometidos a 10 ciclos a lo largo de 5 días de pruebas de penetración del agua, que se superan en caso de no producirse hinchamientos o deterioros de los paneles.

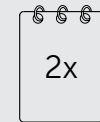
Alle Außenpaneele einschließlich Türen und Schubladen werden 10 Zyklen über 5 Tage unterworfen, um Wassereintrittsversuche durchzuführen und Schwellung oder Verschlechterung der Platten zu verhindern.

Все внешние панели, включая дверцы и выдвижные ящики, проходят 10 циклов испытаний на водонепроницаемость в течение 5 дней без разбухания или снижения качества панелей.



**Submerge 15cm of frontal in water**

Immergere 15cm di pannello nell'acqua  
Immerger 15 cm de panneau dans l'eau  
Sumergir 15cm del frontal en el agua  
15cm Frontal in Wasser eintauchen  
Торец погружали в воду на 15 см



**Twice a day**

Due volte al giorno  
Deux fois par jour  
Dos veces al día  
Zweimal am Tag  
дважды в день



**For 5 days**

Per 5 giorni  
Pendant 5 jours  
Durante 5 días  
Für 5 Tage  
в течение 5 дней

**PRODUCT BENEFITS**

Benefici del prodotto | Avantages du produit | Ventajas Del Producto | Produktvorteile | преимущества продукции



**Drawer runners and hinges with lifetime warranty**

Guide e cerniere dei cassette con garanzia a vita  
Coulisses de tiroirs et charnières avec garantie à vie  
Guías de cajones y bisagras con garantía durante toda la vida útil del producto  
Schubladenläufer und Scharniere mit lebenslanger Garantie  
Направляющие ящиков и крепления обеспечиваются пожизненной гарантией



**Vanity hanging bracket**

Fissaggi per mobili sospesi  
Support de suspension de toilette  
Soporte para mueble lavabo suspendido  
Waschtisch Befestigungswinkel  
Подвесной кронштейн шкафчика под раковиной



**Tall storage unit and mirror cabinet hanging bracket**

Fissaggi per colonne e specchi contenitivi sospesi  
Fixations pur colonnes et armoires toilette  
Soporte para columna suspendida y armario con espejo  
Hoher Aufbewahrungsschrank (wandhängend) und Wandspiegel Befestigungswinkel  
Подвесной высокий шкаф и зеркальный шкафчик на кронштейнах



**SUSTAINABILITY AND QUALITY**

Sostenibilità e Qualità | Durabilité et qualité | Sostenibilidad Y Calidad | Nachhaltigkeit und Qualität | Экологичность и качество



**Wooden products are made of material from responsible sources FSC® certified.**

I prodotti in legno sono composti da materiale proveniente da fonti responsabili certificate FSC®. | Les produits du bois sont fabriqués à partir de matériaux provenant de sources responsables certifiées FSC®. | Los productos de madera se realizan con material procedente de recursos responsables certificados FSC®. | Holzprodukte werden aus Material von FSC®-zertifizierten verantwortungsvollen Quellen hergestellt. | Деревянные изделия изготовлены из материала из источников, сертифицированных FSC®.



**Quality Management system certified for facilities, people, training, services and equipment.**

Sistema di gestione della qualità certificato per strutture, persone, formazione, servizi e attrezzature. | Système de gestion de la qualité certifié pour les installations, les personnes, la formation, les services et l'équipement. | Sistema de gestión de la calidad certificado para instalaciones, personas, formación, servicios y equipamientos. | Qualitätsmanagement-System zertifiziert für Einrichtungen, Personen, Schulungen, Dienstleistungen und Ausrüstung. | Система управления качеством сертифицирована для производственных мощностей, персонала, обучения, услуг и оборудования.

# High-quality furniture products you can trust

We strive to provide the best premium bathroom products that you can trust and count on. To do so, we ensure our products meet the most rigorous tests based on international quality regulations.

Within our furniture and mirror range, all external wooden panels including doors and drawers are subjected to 10 cycles over 5 days to water ingress tests and pass against no swelling or degradation of the panels. Our furniture products featuring drawer runners and hinges are also covered by lifetime warranty. In line with sustainable manufacturing practices, all wooden products are made of material from responsible sources FSC® certified.

We know that value starts with quality and you can trust our products will stand the test of time.

## Raw materials, latest technology and manufacture

RAK Ceramics is internationally recognized for the high quality of its sanitary ceramics. This quality comes from carefully selected premium raw materials that ensure a perfect finish of the products. For RAK-JOY collections we have applied the same high standards; and in the production skilled craftsmen work in harmony with the latest robot technology for the furniture manufacturing. Every phase of the RAK-JOY production process counts on strict quality control procedures. The leadership in the GCC Region and the strong presence in several other international markets reflects our everyday efforts. Our internal norms comply and exceed the international requirements in terms of quality and performance.





## MATERIALS

Materiali | Matériaux | Materialien | Материалы

### LAMILAK



1 High quality lacquering

2 Colour decoration

3 FSC® certified MDF panel

4 PU glue to seal joints to prevent moisture ingress



LAMILAK is the new gloss material that exudes consistent quality and performance. The brilliant high gloss shine gives a striking smooth surface final appearance. To protect the environment, LAMILAK is produced from PET recyclable material.

LAMILAK è il nuovo materiale a finitura lucida dalla qualità e prestazioni costanti. L'elevata brillantezza della finitura conferisce un aspetto finale di superficie estremamente liscia e specchiante. Per proteggere l'ambiente, LAMILAK è prodotto con materiale riciclabile PET.

LAMILAK est le nouveau matériau brillant qui respire la qualité et la performance constante. La finition à haute brillance donne une apparence finale de surface lisse et frappante. Pour protéger l'environnement, LAMILAK est fabriqué à partir de matériaux recyclables à base de PET.

LAMILAK es el nuevo material brillante, que rezuma calidad y rendimiento sin interrupciones. El gran esplendor brillante regala una apariencia final superficial uniforme impresionante. LAMILAK se fabrica a partir de material reciclable PET para proteger el medio ambiente.

LAMILAK – это новый гляцевый материал, обладающий устойчивым качеством и характеристиками. Блестящее гляцевое сияние придает поверхности потрясающе гладкий вид. Для защиты окружающей среды LAMILAK изготавливается из перерабатываемого полиэтилена.

### TECHWOOD



1 3D wood effect

2 Colour decoration

3 FSC® certified MDF panel

4 PU glue to seal joints to prevent moisture ingress



TECHWOOD is the new wood effect material that gives the tactile impression of real wood. Revel in the touch and feel of its vibrant texture. To protect the environment, TECHWOOD is produced from polypropylene recyclable material.

TECHWOOD è il nuovo materiale a finitura legno che conferisce la sensazione tattile di vero legno. Accarezza la superficie e prova la sensazione della sua vibrante venatura. Per proteggere l'ambiente, TECHWOOD è prodotto con materiale riciclabile in polipropilene.

TECHWOOD est le nouveau matériau à effet bois qui donne l'impression tactile du vrai bois. Revel dans le toucher et la sensation de sa texture dynamique. Pour protéger l'environnement, TECHWOOD est fabriqué à partir de matériaux recyclables en polypropylène.

TECHWOOD ist das neue Holz-Effekt-Material, das den fühlbaren Eindruck von echtem Holz vermittelt. Genießen Sie die Berührung und das Gefühl seiner lebendigen Textur. Um die Umwelt zu schützen, wird TECHWOOD aus recyceltem Polypropylen hergestellt.

TECHWOOD – это новый материал с эффектом древесины, дающий тактильное ощущение натурального дерева. Насладитесь его живой текстурой! Для защиты окружающей среды TECHWOOD изготавливается из перерабатываемого полипропилена.

PURE WHITE  
(LAMILAK)

URBAN GREY  
(LAMILAK)

RAK  
CERAMICS

RAK  
CERAMICS

SCANDINAVIAN OAK  
(TECHWOOD)

GREY ELM  
(TECHWOOD)

RAK  
CERAMICS

RAK  
CERAMICS

MOKA WALNUT  
(TECHWOOD)

MATT GREY (only for Open  
Storage Units)  
(LAMILAK)



## PRODUCT BENEFITS

Vantaggi Del Prodotto | Avantages Du Produit | Produkt Vorteile | преимущества продукта

### VANITIES & TALL CABINET

Mobili sospesi | Meubles suspendus | Waschtisch, wandhängend | шкафчик под раковиной и высокий подвесной шкаф



**FSC® CERTIFICATION**  
WOODEN MATERIALS ARE FSC CERTIFIED.  
I materiali in legno sono certificati FSC.  
Les matériaux en bois sont certifiés FSC.  
Die Holzmaterialien sind FSC-zertifiziert.  
Древесные материалы, сертифицированные FSC.



**WATER RESISTANT**  
Resistente all'acqua  
Imperméable  
Wasserdicht  
Водонепроницаемость



**WITHSTANDING HEAVY LOADS 50KG**  
Supporta carichi pesanti 50kg  
Résistant les charges lourdes 50kg  
Widersteht starker Beanspruchung 50kg  
Выдерживает большие нагрузки 50 кг



**WITHSTANDING HEAVY LOADS 150KG**  
Supporta carichi pesanti 150kg  
Résistant les charges lourdes 150kg  
Widersteht starker Beanspruchung 150kg  
Выдерживает большие нагрузки 150 кг



**J-PULL FRONTALS**  
Frontali con maniglia integrata J-pull  
Prise de main J-pull  
J-Pull Frontals  
J-образный вырез на торце



**FULL EXTRACTION DRAWERS**  
Cassetti ad estrazione completa  
Tiroirs d'extraction complets  
Voll auszug schubladen  
Полновыдвижные ящики



**SOFT CLOSE DRAWER RUNNERS**  
Guide a chiusura rallentata  
Coulisses avec système de fermeture progressive  
Läufer mit integrierter Dämpfung  
Плавное закрытие ящиков



**SOFT CLOSE HINGES**  
Cerniere a chiusura rallentata  
Charnières amorties  
Scharnier mit integrierter Dämpfung  
Плавно закрывающиеся петли



**ADJUSTABLE GLASS SHELVING**  
Ripiani regolabili in vetro  
Étagère en verre réglable  
Verstellbare Glasregale  
Регулируемая стеклянная полка



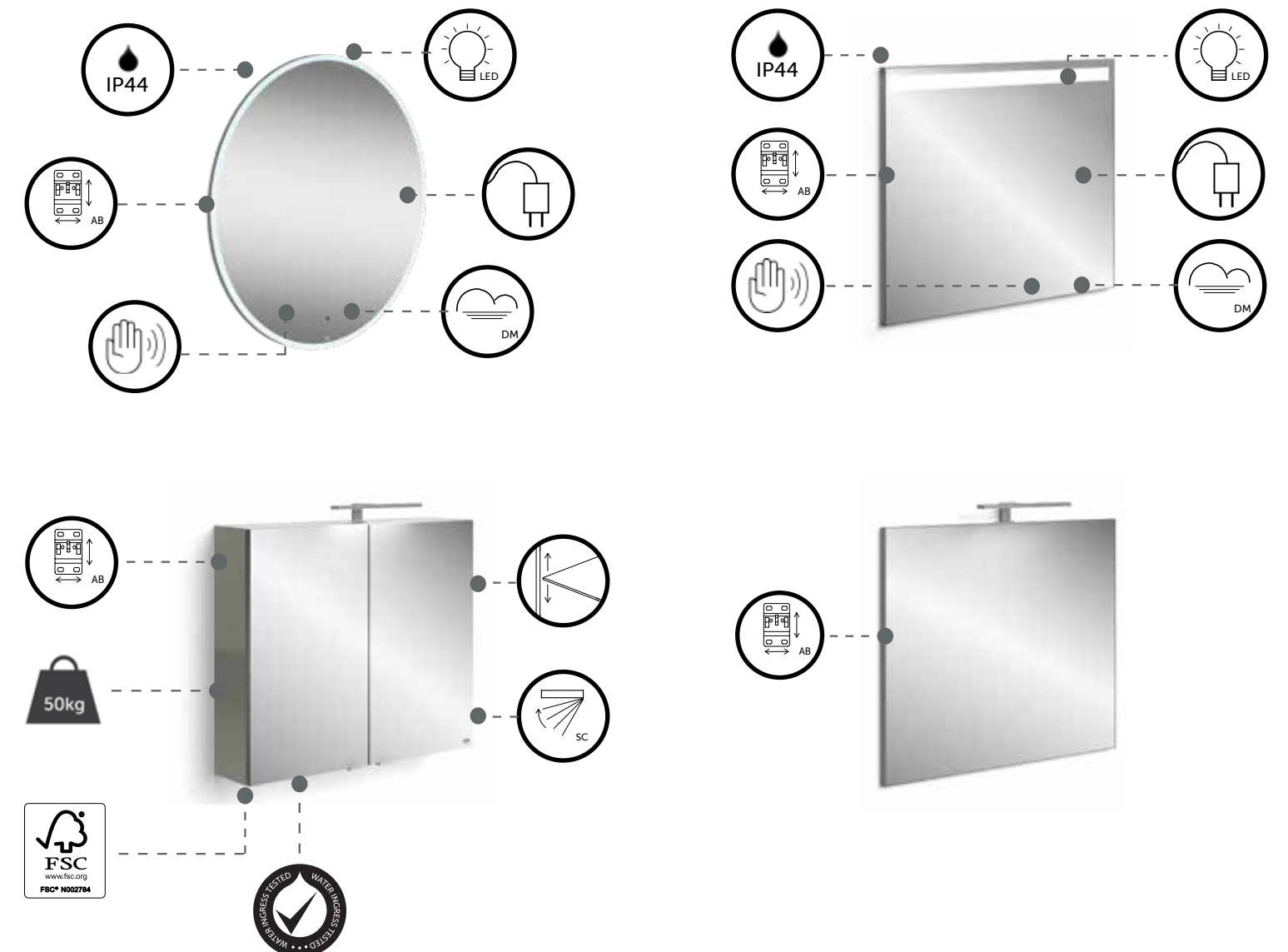
**ADJUSTABLE BRACKETS**  
Fissaggi regolabili  
Supports réglables  
Verstellbare Befestigungsbügel  
Регулируемые кронштейны

## PRODUCT BENEFITS

Vantaggi Del Prodotto | Avantages Du Produit | Produkt Vorteile | преимущества продукта

### MIRRORS

Specchi e specchi contenitivi | Miroirs et armoires toilette | Spiegel & Schränke | зеркала



**MAINS POWERED**  
Alimentazione da rete  
Alimentation secteur  
Netz betrieben  
Питание от сети



**DE-MISTER**  
Anti-appannamento  
Système antibuée  
Espejo Con Sistema Desempañador  
Entnebler  
Защита от запотевания



**TOUCHLESS ACTIVATION**  
Attivazione a sfioro  
Activation sans touche  
berührunglose Aktivierung  
Бесконтактная активация



**MOTION SENSOR**  
Sensore di movimento  
Capteur de mouvement  
Bewegungssensor  
Датчик движения



**USB RECHARGEABLE**  
Ricaricabile via USB  
USB rechargeable  
USB wiederaufladbar  
Заряжается через usb



**REVERSIBLE**  
Reversible  
Reversible  
Reversible  
Реверсионный



**LED LIGHT**  
LED Luce  
LED Lumière  
LED Licht  
Светодиодная (led) подсветка



**IP44**  
IP44  
IP44  
IP44  
IP44



# RAK-JOY UNO



Functional, elegant, spacious and modular, **RAK-Joy Uno** is the natural evolution of the successful story of RAK-Joy. A minimalist design that will enhance the style of your bathroom, by giving you a one-drawer only contemporary solution. **RAK-Joy Uno** is the new RAK Ceramics bathroom furniture range, designed to move the style of your bathroom on to a higher level. Innovative, high-quality and with exceptional details, **RAK-Joy Uno** is also available in 5 different finishes.



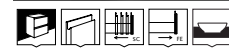


# RAK-JOY UNO PRODUCT LIST

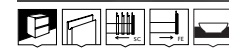
## WALL HUNG FURNITURE | Mobili sospesi | Meubles suspendus | Waschtisch, wandhängend | Навесная мебель



W 40 x D 22 x H 60CM



W 60 x D 46 x H 40CM



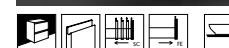
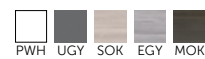
W 80 x D 46 x H 40CM



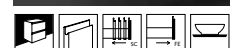
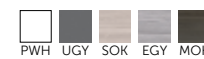
W 100 x D 46 x H 40CM



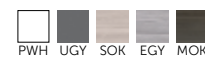
120CM - 2x W 60CM Units



160CM - 2x W 80CM Units



200CM - 2x W 100CM Units



**OPEN STORAGE UNITS** | Vani a vista  
| Unités de stockage ouvertes | Offene  
Lagerungseinheiten | Открытые ячейки

**TALL CABINET UNIT** | Colonna sospesa  
| Colonne Suspendue | Hochschrank |  
Высокий подвесной шкаф

**TOP MOUNTED T-BAR LIGHT**  
| Luce "a T" montabile in alto | Spot en t-bar montée sur le  
dessus | T-bar Aufsatzlicht | T-образная подсветка с верхним  
креплением



60 CM



W 30 x D 23 x H 120CM



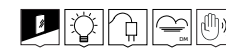
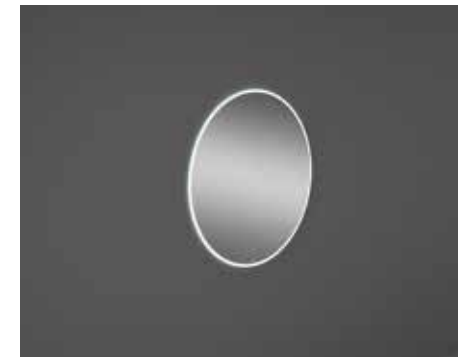
Cool White 6000K  
450 Lumens

**USB RECHARGABLE LIGHT**  
| Luce ricaricabile del USB | Lumière USB rechargeable | USB  
rechargeable Licht | Заряжаемая от USB подсветка

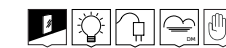
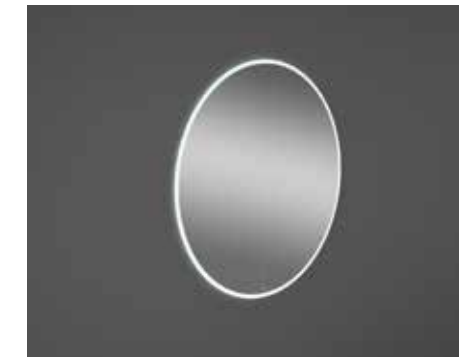


Neutral White 4000K  
150 Lumens

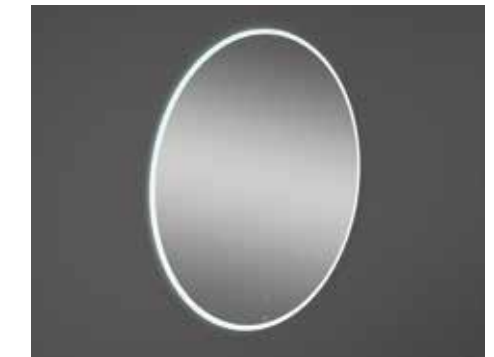
## MIRRORS | Specchi | Miroirs | Spiegel | Зеркала GO TO PAGE 105



W 60 x D 3 x H 60CM  
Cool White 6000K  
980 Lumens



W 80 x D 3 x H 80CM  
Cool White 6000K  
1350 Lumens



W 100 x D 3 x H 100CM  
Cool White 6000K  
1700 Lumens

## MIRRORS & CABINETS | Specchi e specchi contenitivi | Miroirs et armoires toilette | Spiegel & Schränke | Зеркала и шкафчики GO TO PAGE 105



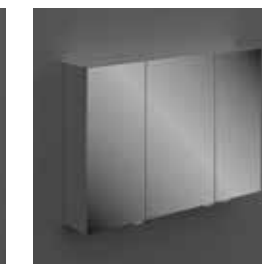
W 40 x D 18 x H 68CM



W 60 x D 18 x H 68CM



W 80 x D 18 x H 68CM



W 100 x D 18 x H 68CM



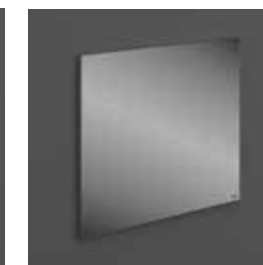
120CM - 2x W 60CM Units



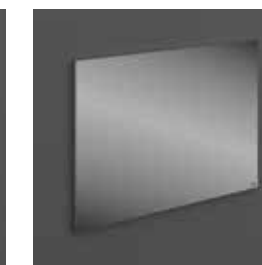
W 40 x D 3 x H 68CM



W 60 x D 3 x H 68CM



W 80 x D 3 x H 68CM



W 100 x D 3 x H 68CM



W 120 x D 3 x H 68CM



W 40 x D 3 x H 68CM  
Cool White 6000K  
400 Lumens



W 60 x D 3 x H 68CM  
Cool White 6000K  
400 Lumens



W 80 x D 3 x H 68CM  
Cool White 6000K  
500 Lumens



W 100 x D 3 x H 68CM  
Cool White 6000K  
700 Lumens



W 120 x D 3 x H 68CM  
Cool White 6000K  
900 Lumens

# RAK-JOY UNO WASH BASINS PRODUCT LIST

**DROP IN WASH BASINS** | Lavabi da incasso | Plan vasque | Drop-in Waschbecken | Встраиваемая раковина



41 x 23 CM



61 x 46 CM



81 x 46 CM



101 x 46 CM



121 x 46 CM



61 x 46 CM



81 x 46 CM



101 x 46 CM



121 x 46 CM



FOR VANITY  
SPACE SAVING

## RAK-JOY + RAK-PRECIOUS

RAK Precious drop in washbasins and countertop solutions can be combined with your favorite RAK-Joy bathroom vanity. RAK-Precious are available in 6 different finishes and colours, perfectly compatible with RAK-Joy.

I lavabi da incasso RAK-Precious ed i piani d'appoggio possono essere combinati al tuo mobile bagno RAK-Joy preferito. La gamma RAK-Joy e' disponibile in 6 diverse finiture, perfettamente compatibili con colori e finiture RAK-Precious.

Les lavabos à encastrer de RAK-Precious et les plans de toilette peuvent être combinés avec votre meuble de salle de bains préféré de RAK-Joy. La gamme RAK-Joy est disponible en 6 finitures différentes, parfaitement compatibles avec les couleurs et les finitures de RAK-Precious.

Die Einbauwaschbecken von RAK-Precious sowie die Auflageflächen können mit Ihrem bevorzugten Badezimmermöbelstück kombiniert werden. Die gesamte Bandbreite von RAK-Joy ist in 6 verschiedenen Oberflächen verfügbar, die mit den Farben und Oberflächen von RAK-Precious bestens kompatibel sind.

Встраиваемые и монтирующиеся на столешницу раковины от RAK-Precious можно комбинировать с наиболее понравившейся тумбой из коллекции RAK-Joy. На выбор предлагается 6 различных отделки тумб RAK-Joy, которые идеально сочетаются с цветовой гаммой и отделочными материалами компании RAK-Precious.



100  
CARRARA  
(LAPPATO)

101  
MACAUBAS  
(NATURAL)

102  
TRAVERTINO IVORY  
(LAPPATO)

103  
SURFACE XL COOL GREY  
(NATURAL)

104  
BEHIND GREY  
(NATURAL)

105  
UNI DARK BLACK  
(NATURAL)

# RAK-JOY UNO UNIVERSAL SHELVING SYSTEM PRODUCT LIST

## UNIVERSAL SHELVING UNITS

Scaffali Universali | Unités De Rayonnage Universelles | Unidades De Estante Universales | Универсальные Установки



W 60CM



504



W 60 x H 60CM



504



W 60 x H 180CM



504



W 90 x D 31 x H 307CM



504



W 90 x D 31 x H 307CM



504

Shelving is not only practical: it can also be fully part of your bathroom design. Contemporary, sophisticated and easy to be installed, RAK-Joy shelving units help you style your bathroom, with a creative and multifunctional furnishing solutions to meet your needs and express your imagination. The unit is equipped with an interlocking system so that you can hook the accessories without screwing them into the structure. The bifacial bookcase is a creative partition that works as furnishing accessory and dividing wall. Find a new solutions to separate your rooms, store your objects and complete your bathroom with style.

Le mensole non sono solo pratiche: possono anche essere parte integrante del design del tuo bagno. Contemporanei, sofisticati e facili da installare, gli scaffali RAK-Joy ti aiutano a dare stile al tuo bagno, con soluzioni d'arredo creative e multifunzionali per soddisfare le tue esigenze ed esprimere la tua fantasia. Le unità sono dotate di un sistema ad incastro per poter agganciare gli accessori senza avvitari alla struttura.

La libreria bifacciale è un divisorio creativo che funge da complemento d'arredo e parete divisoria. Trova nuove soluzioni per separare i tuoi spazi, riporre i tuoi oggetti e completare il tuo bagno con stile.

Les surfaces de travail ne sont pas seulement pratiques, mais peuvent également devenir une partie intégrante de votre salle de bains. Contemporaines, sophistiquées et faciles à installer, les étagères de RAK-Joy vous aident à conférer du style à votre salle de bains, par des solutions d'aménagement créatives et multifonctionnelles, qui satisfont vos exigences et expriment votre fantaisie. Les unités sont dotées d'un système de fixation, pour y joindre les accessoires, sans avoir besoin de les visser à la structure.

La bibliothèque bifaciale est un élément de séparation créatif qui sert à la fois de meuble et de mur de séparation. Trouvez de nouvelles solutions, pour séparer vos espaces, déposer vos objets et compléter avec style votre salle de bains.

Ablagen sind nicht nur praktisch, sie können auch zu einem festen Bestandteil Ihres Badezimmerdesigns werden. Zeitgenössisch, anspruchsvoll und einfach zu installieren - die Regale von RAK-Joy helfen Ihnen dabei, Ihrem Badezimmer Stil zu verleihen, durch kreative und multifunktionale Einrichtungslösungen, die Ihre Wünsche erfüllen und Ihre Fantasie zum Ausdruck bringen. Die Einheiten sind mit einem Einspannsystem ausgestattet, um Accessoires anzuhängen, ohne sie an die Struktur anzuschrauben. Das beidseitige Bücherregal ist ein kreatives Trennelement, das gleichzeitig als Möbelstück und als Trennwand fungiert. Finden Sie neue Lösungen, um Ihre Räume zu trennen, Ihre Gegenstände abzulegen und Ihr Badezimmer stilvoll zu ergänzen.

Полки выполняют не только практическую функцию – они также могут в полной мере стать частью дизайна вашей ванной комнаты. Современные, тщательно продуманные и простые в установке полочные модули RAK-Joy помогут вам создать дизайн ванной комнаты благодаря креативным и многофункциональным решениям для мебелировки, которые отвечают вашим потребностям и дают возможность воплотить в жизнь вашу фантазию. Данный модуль оснащен системой сцепления, позволяющей подвешивать аксессуары без необходимости крепить их винтами к конструкции. Двусторонний шкаф представляет собой креативную перегородку и выполняет функцию мебельного аксессуара, а также служит для разделения стен. Находите новые решения для разделения ваших комнат, хранения вещей и создания стильного образа вашей ванной комнаты.





# VANITY UNITS

## WALL HUNG VANITY UNITS

Mobili sospesi | Meubles suspendus | Waschtisch wandhängend | Подвесная тумба



W 40 x D 22 x H 60CM  
JOYWH040UGY

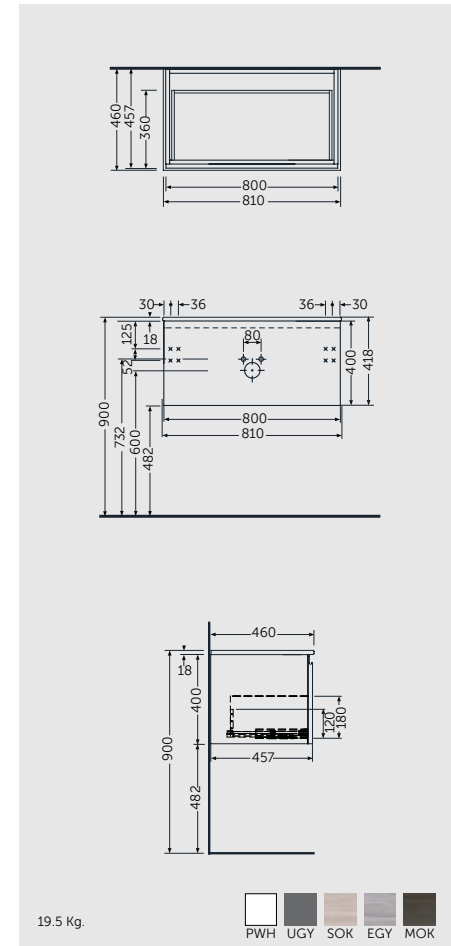
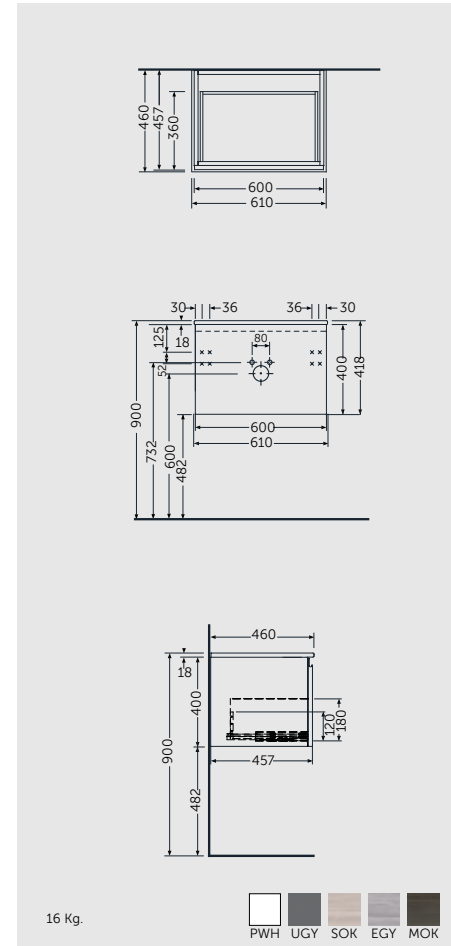
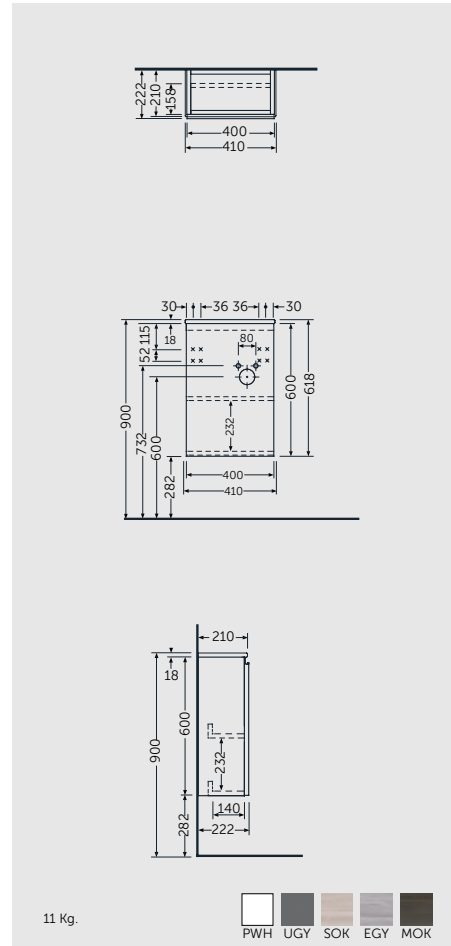


W 60 x D 46 x H 40CM  
UNOWH060UGY  
Space saving bottle trap required BTRWBPPR022



W 80 x D 46 x H 40CM  
UNOWH080UGY  
Space saving bottle trap required BTRWBPPR022

### Measurements | Misure | Dimensions | Abmessungen | Размеры



## WALL HUNG VANITY UNITS

Mobili sospesi | Meubles suspendus | Waschtisch wandhängend | Подвесная тумба



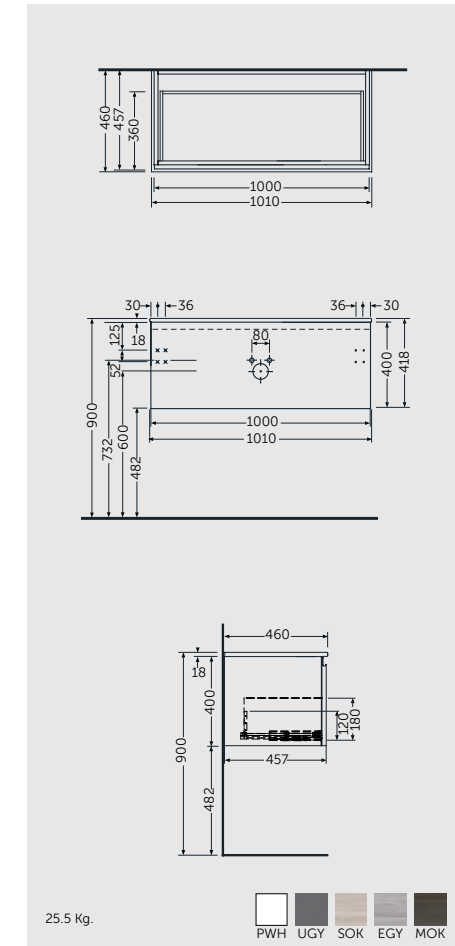
W 100 x D 46 x H 40CM  
UNOWH100UGY  
Space saving bottle trap required BTRWBPPR022



120cm = 2x W 60CM Units  
UNOWH060UGY x2  
Space saving bottle trap required BTRWBPPR022 ( x2 )



FOR VANITY  
PP WHITE : BTRWBPPR022  
Inspectionable  
Space Saving



160cm = 2x W 80CM Units  
UNOWH080UGY x2  
Space saving bottle trap required BTRWBPPR022 ( x2 )



200cm = 2x W 100CM Units  
UNOWH100UGY x2  
Space saving bottle trap required BTRWBPPR022 ( x2 )

# OPEN STORAGE AND TALL CABINET UNITS

## OPEN STORAGE UNIT

Vani a vista | Unités de stockage ouvertes | Offene Lagerungseinheiten  
| Открытые ячейки



60 CM  
JOYOS040MGY

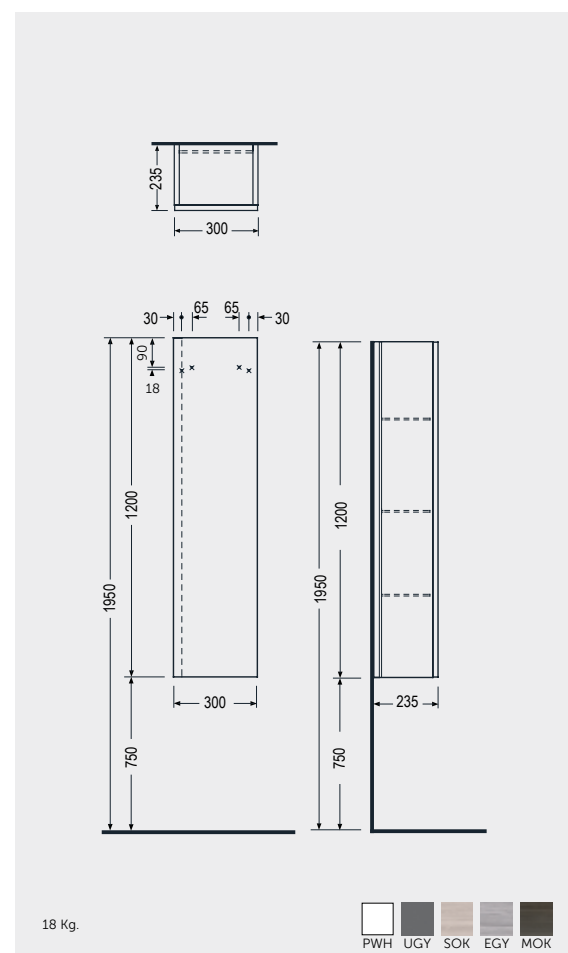
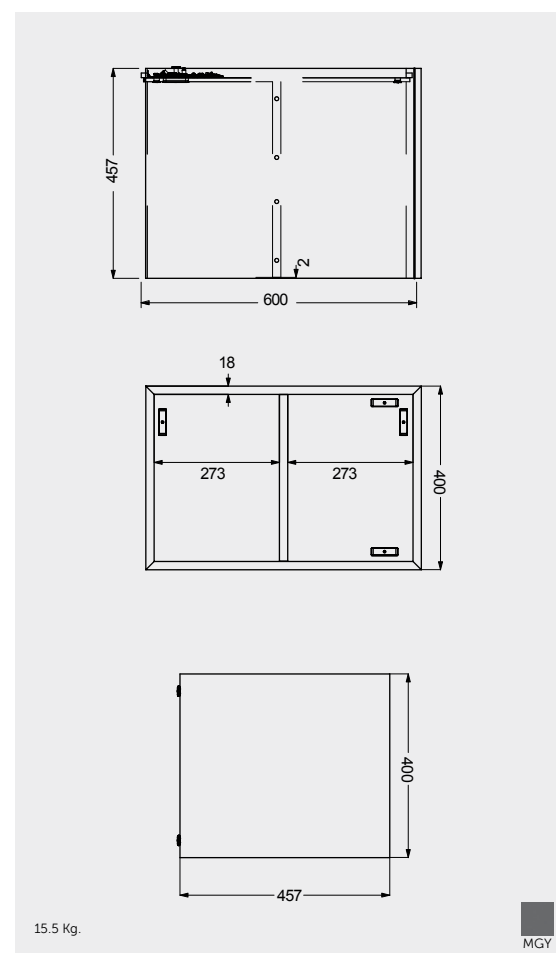
## TALL CABINET UNIT

Colonna sospesa | Colonne suspendue | Hochschrank | Высокий  
подвесной шкаф

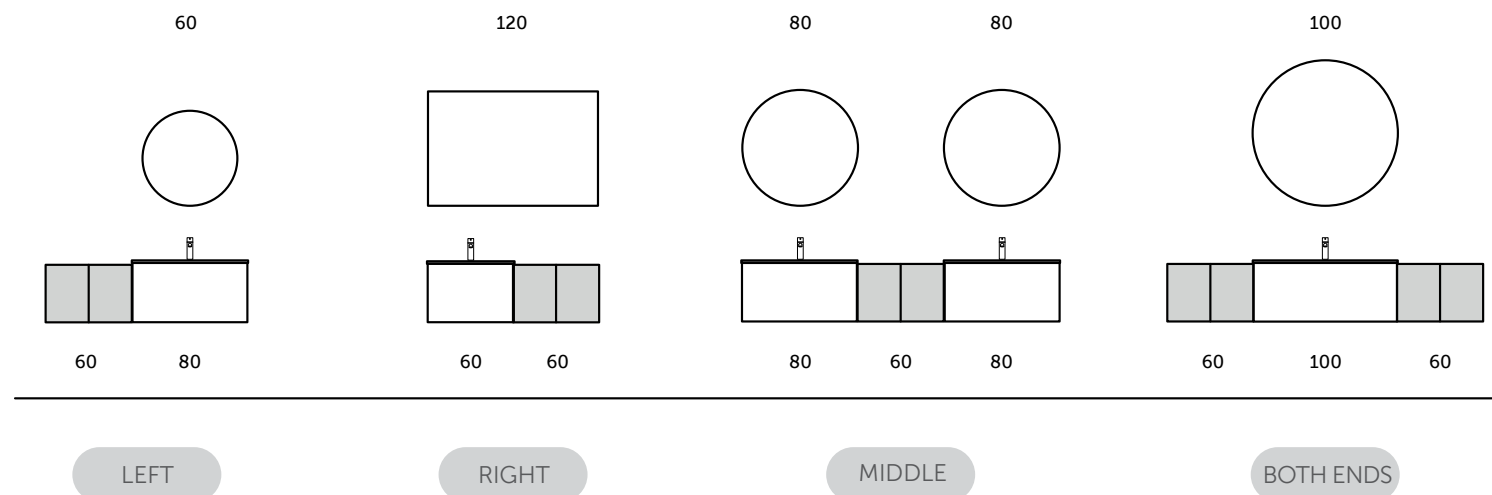


W 30 x D 23 x H 120CM  
JOYTS120UGY

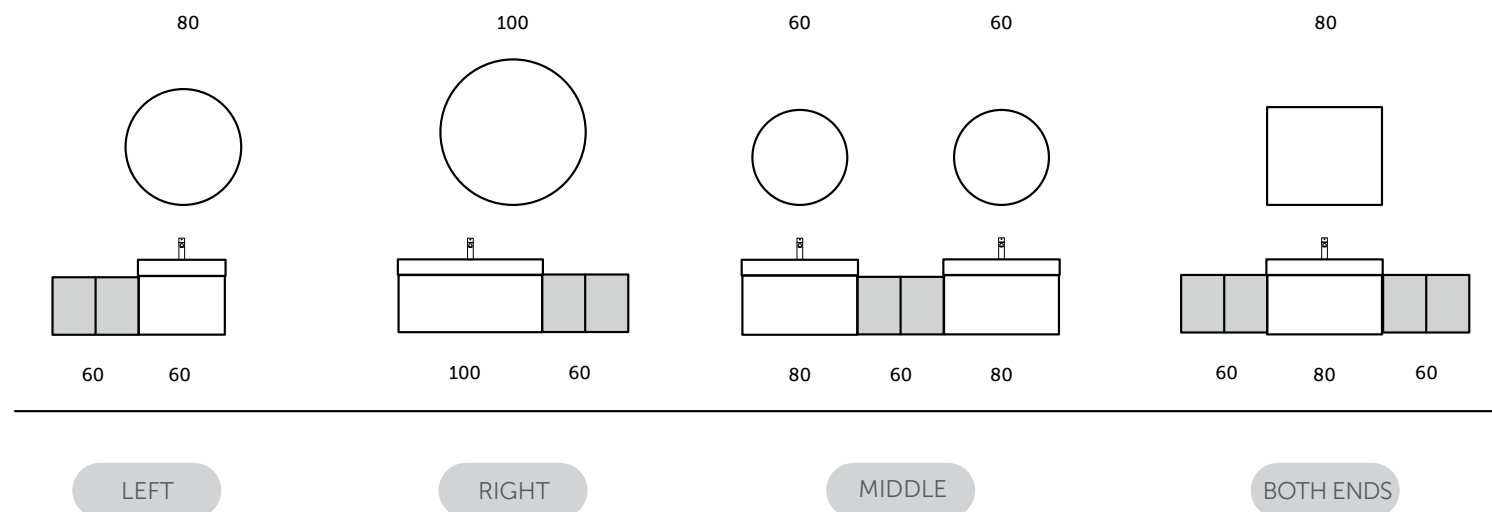
Measurements | Misure | Dimensions | Abmessungen | Размеры



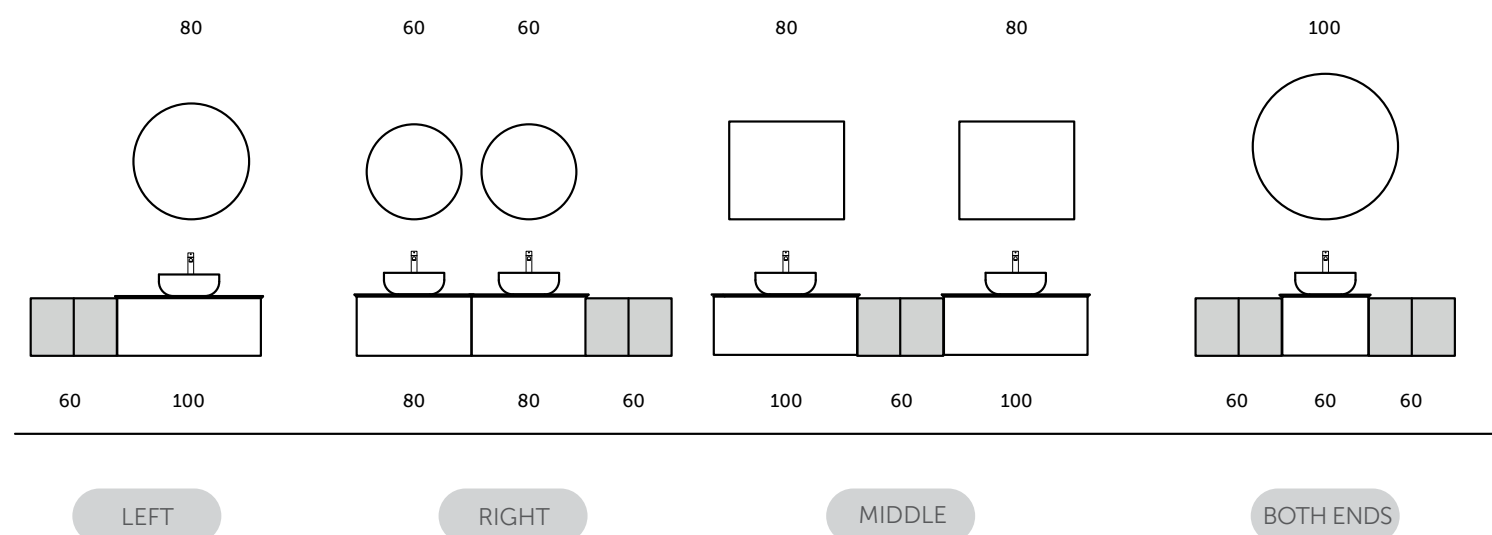
## WITH RAK-JOY OR RAK-PRECIOUS DROP-IN WASHBASINS



## WITH RAK-DES WASHBASINS



## WITH RAK-PRECIOUS SURFACE AND COUNTERTOP WASHBASINS



## RAK-JOY UNO + OPEN STORAGE UNIT

Elevate your bathroom's style and functionality with the combination of RAK Precious drop in washbasin or countertop, RAK-Joy Vanity Unit and a modular Open Storage system. Designed to be mixed and matched according to your style, this combination offers the best space-saving solution, essential in keeping your bathroom organized.

Stile e funzionalità si fondono alla perfezione nel tuo bagno, grazie alla elegante composizione di RAK Precious lavabo da incasso o piano di lavoro, mobile bagno RAK-Joy e un sistema modulare Open Storage. Progettata per essere mixata e abbinata in base al tuo stile, questa combinazione offre la migliore soluzione salvaspazio, essenziale per mantenere organizzato il tuo bagno.

Améliorez le style et la fonctionnalité de votre salle de bains par la combinaison d'un bouchon d'écoulement pour lavabo ou plan de travail de RAK Precious, un porte-lavabo de RAK-Joy et un système modulaire de stockage ouvert. Projetée pour être composée selon votre style, cette combinaison offre la meilleure solution peu encombrante, essentielle pour maintenir votre salle de bains bien organisée.

Werten Sie den Stil und die Funktionalität Ihres Badezimmers auf, mit der Kombination aus der Ablaufgarnitur für Waschbecken oder Arbeitsplatte RAK Precious, dem Unterschrank RAK-Joy und dem offenen Modularlagerungssystem. Entworfen um passend zu Ihrem Stil zusammengestellt zu werden, bietet diese Kombination die beste platzsparende Lösung, die wesentlich ist, um Ihr Badezimmer ordentlich zu halten.

Улучшите стиль и функциональность вашей ванной комнаты с помощью комбинации Rak Precious для накладных и встраиваемых раковин, Rak-Joy с наиболее понравившейся тумбой и модульной открытой системой хранения. Комбинация разработана, чтобы дать Вам возможность подбирать и составлять в соответствии с вашим стилем, эта комбинация предлагает лучшее решение для экономии места и пространства, необходимое для поддержания вашей ванной комнаты в порядке.



 RAK-Joy washbasins




 RAK-Des washbasins



 RAK-Precious washbasins



 Counter top washbasins

 RAK-Precious counter top surfaces





**DRAWER  
INSERTS &  
LIGHTING**

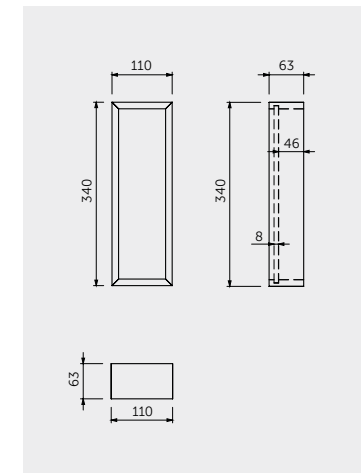
**DRAWER INSERT ORGANISERS** | Organizzatori per cassetto | Organiseur pour tiroirs | Schubladeneinsätze Einteiler | Органайзеры для выдвижных ящиков

**TOP DRAWER INSERT**

Organizzatori per cassetto  
Organiseur pour tiroirs  
Schubladeneinsätze Einteiler  
Вкладыш в верхний ящик



H 6 x W 11 x D 34CM  
ANTHRACITE  
JOYDIST

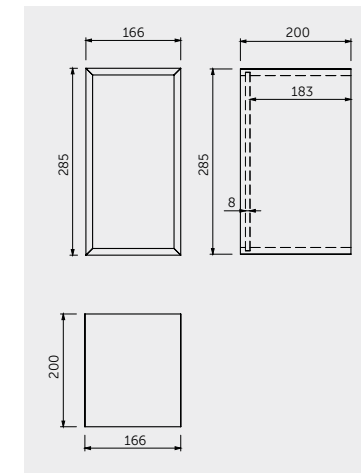


**BOTTOM DRAWER INSERT**

Organizzatori per cassetto  
Organiseur pour tiroirs  
Schubladeneinsätze Einteiler  
Вкладыш в нижний ящик



H 20 x W 16 x D 29CM  
ANTHRACITE  
JOYDILB



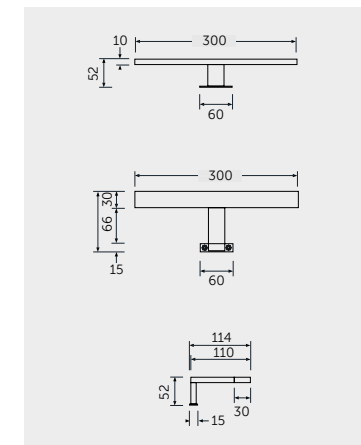
**LIGHTS** | Luci | Lumières | Beleuchtung | wandhängend | Подсветка

**TOP MOUNTED T-BAR LIGHT**

Luce "a T" montabile in alto  
Spot en t-bar montée sur le dessus  
T-bar Aufsatzlicht  
Т-образная подсветка с верхним креплением



ABS: JOYTB6000CR1  
Cool White 6000K  
450 Lumens

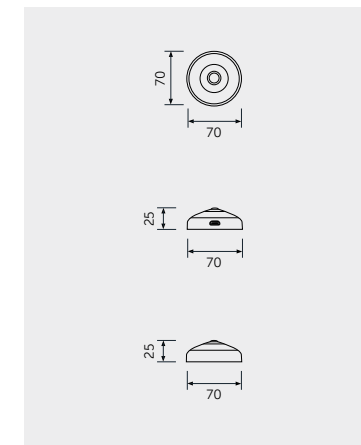


**USB RECHARGABLE LIGHT**

Luce ricaricabile del USB  
Lumière USB rechargeable  
USB rechargeable Licht  
Заряжаемая от USB подсветка



JOYUSBRCCR  
Natural White 4000K  
150 Lumens









# UNIVERSAL SHELVING SYSTEM

UNIVERSAL SHELVING SYSTEM | Sistema Di Scaffali Universale | Système De Rayonnage Universel | Universales Regalsystem | | Универсальная Система Поставки



W 60CM  
USSAS0001504

Accessories included: Small Shelf & Double Tumbler



W 60 x H 60CM  
USSAS0002504

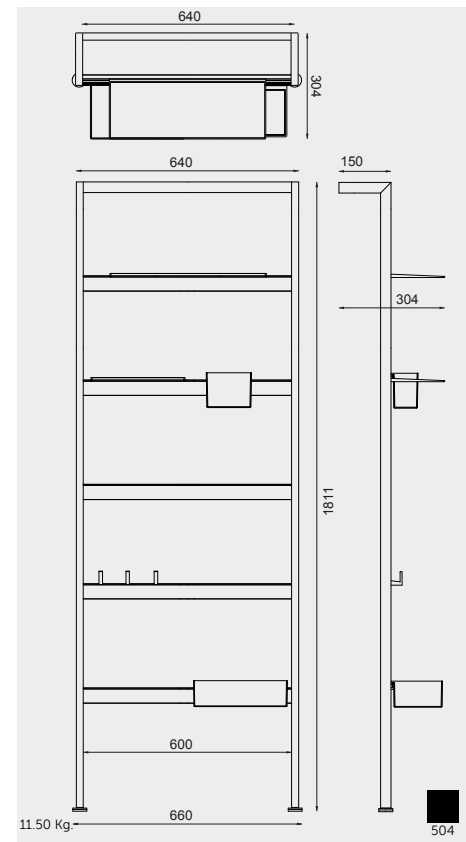
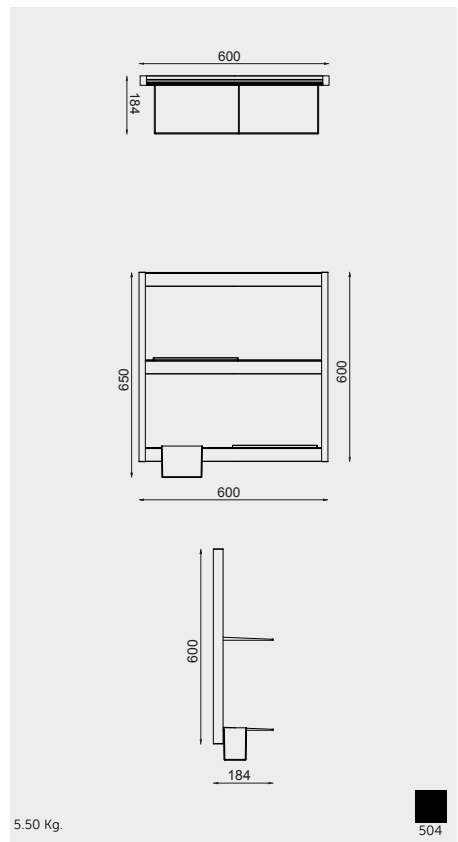
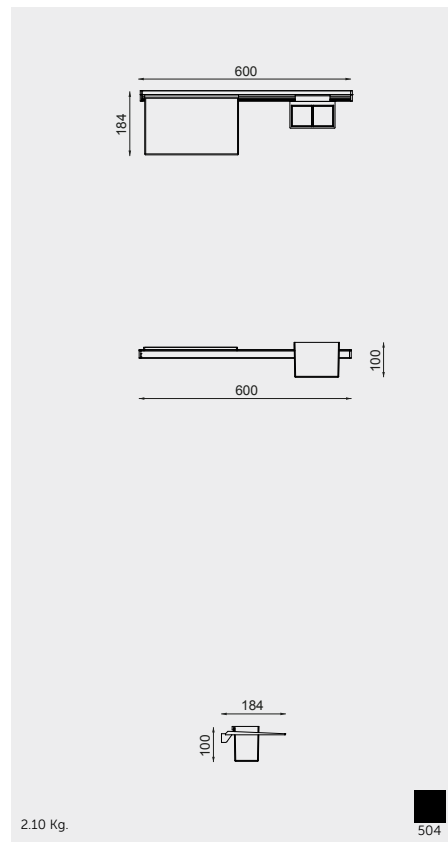
Accessories included: 2 Small Shelves & Double Tumbler



W 60 x H 180CM  
USSAS0003504

Accessories included: Small & Large Shelves, Small & Large Double Tumblers and 3 Hooks

Measurements | Misure | Dimensions | Abmessungen | Размеры



Note | Nota | Remarque | Hinweis | Примечание

All dimensions in mm tolerance  $\pm 5\%$  for below 200mm and  $\pm 3\%$  for above 200mm | Tutte le dimensioni hanno una tolleranza di  $\pm 5\%$  mm al di sotto dei 200mm e di  $\pm 3\%$  mm al disopra dei 200mm | Toutes les dimensions en mm tolérance  $\pm 5\%$  pour moins de 200mm et  $\pm 3\%$  pour plus de 200mm/ Alle Abmessungen in mm, Toleranz  $\pm 5\%$  für unter 200mm, und  $\pm 3\%$  für über 200mm | Все размеры указаны в мм, погрешность  $\pm 5\%$  ниже 200 мм и  $\pm 3\%$  выше 200 мм



# UNIVERSAL SHELVING SYSTEM

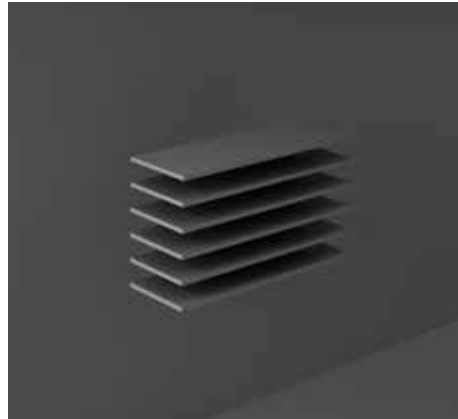
UNIVERSAL SHELVING SYSTEM | Sistema Di Scaffali Universale | Système De Rayonnage Universel | Universales Regalsystem | Универсальная Система Поставки



W 90 x D 31 x H 307CM  
USSAS0004504

Structure can be easily cut on site at any lower height; adjustable feet.

Shelves not included, order separately: USSSH9031MGY



W 90 x D 31 x H 1,8CM  
USSSH9031MGY

6 PCS

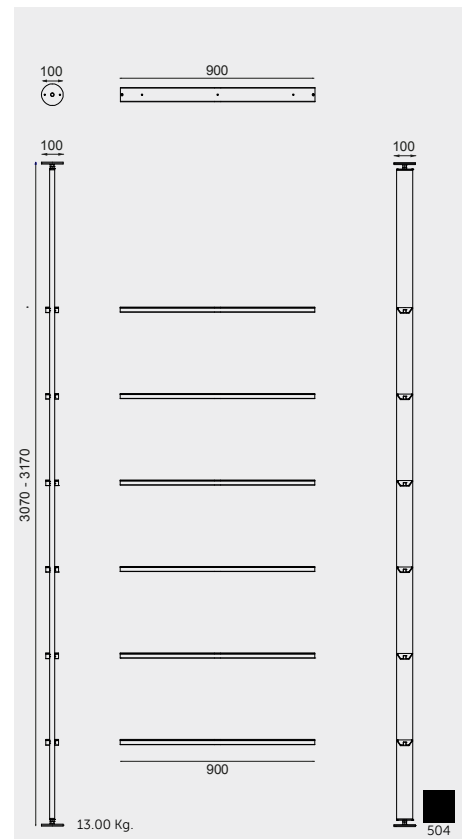
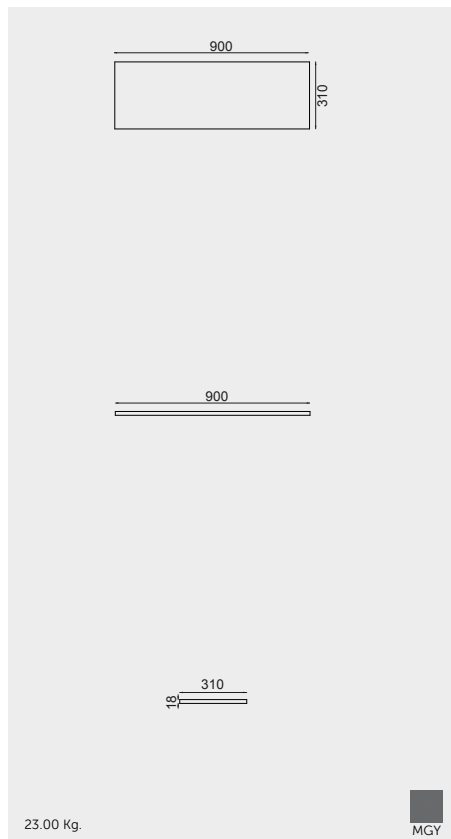
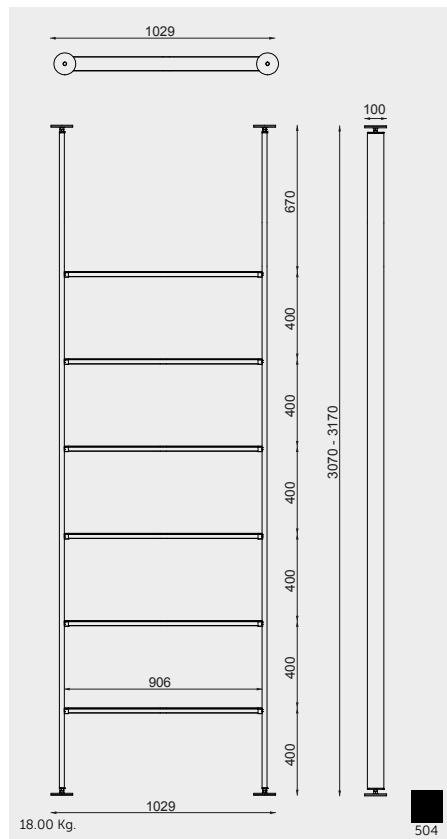


W 90 x D 31 x H 307CM  
USSAS0005504

Structure can be easily cut on site at any lower height; adjustable feet.

Shelves not included, order separately: USSSH9031MGY

Measurements | Misure | Dimensions | Abmessungen | Размеры



Note | Nota | Remarque | Hinweis | Примечание

All dimensions in mm tolerance  $\pm 5\%$  for below 200mm and  $\pm 3\%$  for above 200mm | Tutte le dimensioni hanno una tolleranza di  $\pm 5\%$  mm al di sotto dei 200mm e di  $\pm 3\%$  mm al di sopra dei 200mm | Toutes les dimensions en mm tolérance  $\pm 5\%$  pour moins de 200mm et  $\pm 3\%$  pour plus de 200mm/ Alle Abmessungen in mm, Toleranz  $\pm 5\%$  für unter 200mm, und  $\pm 3\%$  für über 200mm | Все размеры указаны в мм, погрешность  $\pm 5\%$  ниже 200 мм и  $\pm 3\%$  выше 200 мм







# RAK-JOY



Imagine being able to do this with functional, elegant, spacious and modular solutions to suit your needs. Imagine RAK-JOY, the new RAK Ceramics bathroom furniture range, designed to organise your space and storage and meet your individual style. Innovative materials, well-organised interior spaces, modern lines, unique details and high quality standards make RAK-JOY the ideal choice for your bathroom.



# RAK-JOY PRODUCT LIST

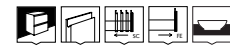
## WALL HUNG FURNITURE | Mobili sospesi | Meubles suspendus | Waschtisch, wandhängend | Навесная мебель



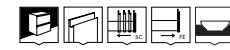
W 40 x D 22 x H 60CM



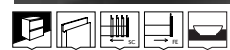
W 60 x D 46 x H 60CM



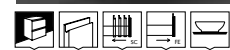
W 80 x D 46 x H 60CM



W 100 x D 46 x H 60CM



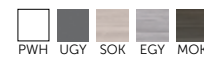
120CM - 2x W 60CM Units



160CM - 2x W 80CM Units



200CM - 2x W 100CM Units



## OPEN STORAGE UNITS | Vani a vista | Unités de stockage ouvertes | Unidades de almacenamiento abierto | Offene Lagerungseinheiten | Открытые ячейки



20 CM



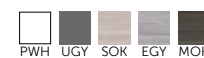
40 CM



## TALL CABINET UNIT | Colonna sospesa | Colonne Suspendue | Hochschrank | Высокий подвесной шкаф



W 30 x D 23 x H 120CM



## MIRRORS & CABINETS | Specchi e specchi contenitivi | Mirrors et armoires toilette | Spiegel & Schränke | Зеркала и шкафы

GO TO PAGE 105



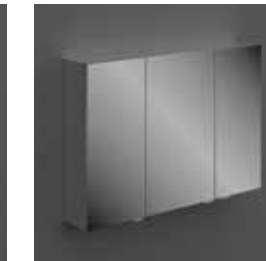
W 40 x D 18 x H 68CM



W 60 x D 18 x H 68CM



W 80 x D 18 x H 68CM



W 100 x D 18 x H 68CM



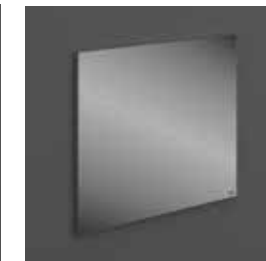
120CM - 2x W 60CM Units



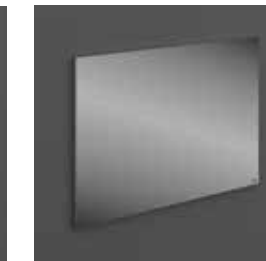
W 40 x D 2 x H 68CM



W 60 x D 2 x H 68CM



W 80 x D 2 x H 68CM



W 100 x D 2 x H 68CM



W 120 x D 2 x H 68CM



W 40 x D 3 x H 68CM  
Cool White 6000K  
400 Lumens



W 60 x D 3 x H 68CM  
Cool White 6000K  
400 Lumens



W 80 x D 3 x H 68CM  
Cool White 6000K  
500 Lumens



W 100 x D 3 x H 68CM  
Cool White 6000K  
700 Lumens



W 120 x D 3 x H 68CM  
Cool White 6000K  
900 Lumens

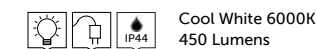
## UPGRADE KIT | Kit di Personalizzazione | Kit de mise à niveau | Aufrüst-Kit | Комплект обновления

### Upgrade your RAK-JOY furniture mirrors with lighting

Personalizza gli specchi RAK-JOY con l'illuminazione  
Améliorez vos meubles RAK-JOY avec éclairage  
Rüsten Sie Ihre RAK-JOY Badezimmerspiegel durch Beleuchtung auf  
Усовершенствуйте вашу RAK-JOY мебель с зеркалами подсветкой

### TOP MOUNTED T-BAR LIGHT

Luce "a T" montabile in alto  
Spot en t-bar montée sur le dessus  
T-bar Aufsatzlicht  
T-образная подсветка с верхним креплением



Cool White 6000K  
450 Lumens

### USB RECHARGABLE LIGHT

Luce ricaricabile del USB  
Lumière USB rechargeable  
USB rechargeable Licht  
Заряжаемая от USB подсветка



Neutral White 4000K  
150 Lumens





# RAK-JOY WASH BASINS PRODUCT LIST

**DROP IN WASH BASINS** | Lavabi da incasso | Plan vasque | Drop-in Waschbecken | Встраиваемая раковина



41 x 23 CM



61 x 46 CM



81 x 46 CM



101 x 46 CM



121 x 46 CM



61 x 46 CM



81 x 46 CM



101 x 46 CM



121 x 46 CM



FOR VANITY  
SPACE SAVING

## RAK-JOY + RAK-PRECIOUS

RAK Precious drop in washbasins and countertop solutions can be combined with your favorite RAK-Joy bathroom vanity. RAK-Precious are available in 6 different finishes and colours, perfectly compatible with RAK-Joy.

I lavabi da incasso RAK-Precious ed i piani d'appoggio possono essere combinati al tuo mobile bagno RAK-Joy preferito. La gamma RAK-Joy e' disponibile in 6 diverse finiture, perfettamente compatibili con colori e finiture RAK-Precious.

Les lavabos à encastrer de RAK-Precious et les plans de toilette peuvent être combinés avec votre meuble de salle de bains préféré de RAK-Joy. La gamme RAK-Joy est disponible en 6 finitions différentes, parfaitement compatibles avec les couleurs et les finitures de RAK-Precious.

Die Einbauwaschbecken von RAK-Precious sowie die Auflageflächen können mit Ihrem bevorzugten Badezimmermöbelstück kombiniert werden. Die gesamte Bandbreite von RAK-Joy ist in 6 verschiedenen Oberflächen verfügbar, die mit den Farben und Oberflächen von RAK-Precious bestens kompatibel sind.

Встраиваемые и монтирующиеся на столешницу раковины от RAK-Precious можно комбинировать с наиболее понравившейся тумбой из коллекции RAK-Joy. На выбор предлагается 6 различных отделки тумб RAK-Joy, которые идеально сочетаются с цветовой гаммой и отделочными материалами компании RAK-Precious.



100  
CARRARA  
(LAPPATO)

101  
MACAUBAS  
(NATURAL)

102  
TRAVERTINO IVORY  
(LAPPATO)

103  
SURFACE XL COOL GREY  
(NATURAL)

104  
BEHIND GREY  
(NATURAL)

105  
UNI DARK BLACK  
(NATURAL)

## WALL HUNG VANITY UNITS

Mobili sospesi | Meubles suspendus | Waschtisch wandhängend | Подвесная тумба



W 40 x D 22 x H 60CM  
JOYWH040UGY



W 60 x D 46 x H 60CM  
JOYWH060UGY



W 80 x D 46 x H 60CM  
JOYWH080UGY

## WALL HUNG VANITY UNITS

Mobili sospesi | Meubles suspendus | Waschtisch wandhängend | Подвесная тумба



W 100 x D 46 x H 60CM  
JOYWH100UGY

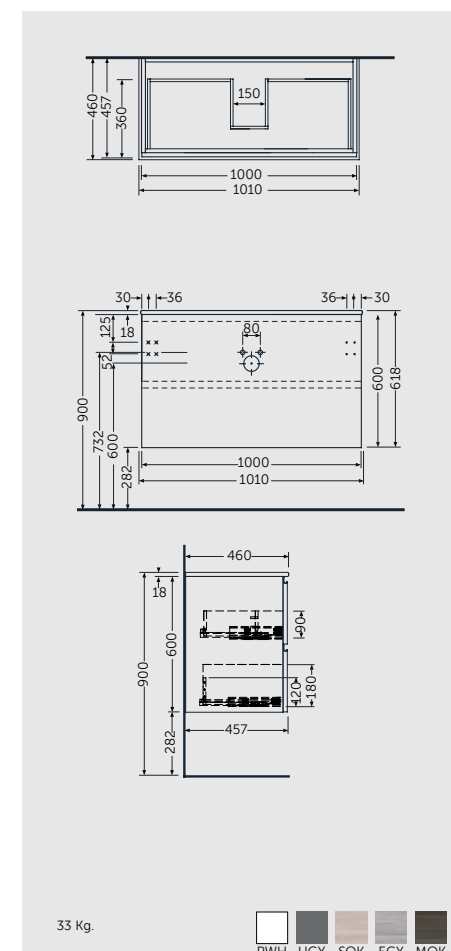
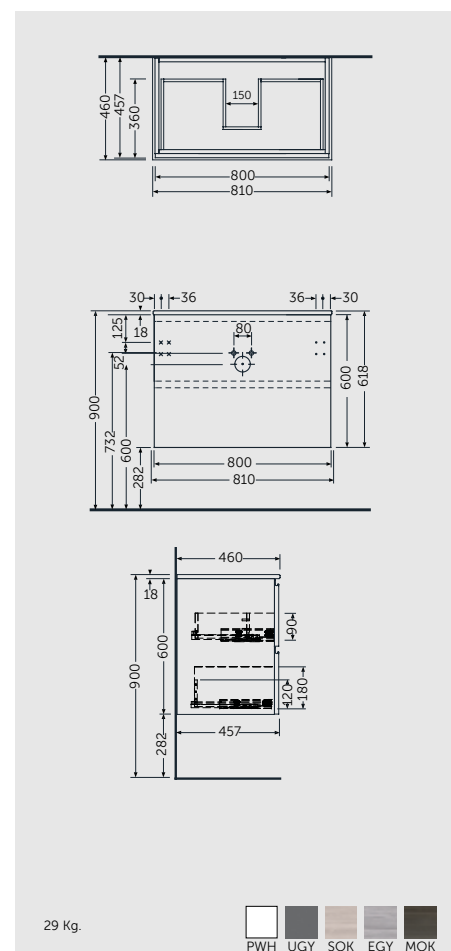
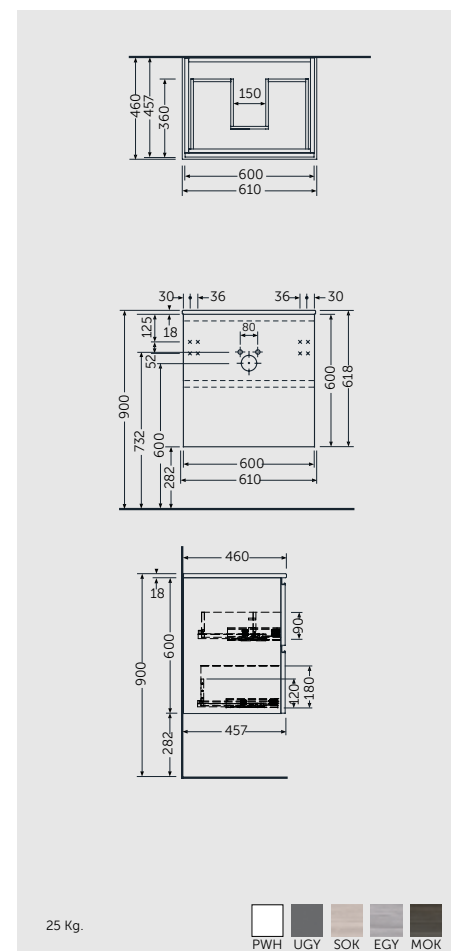
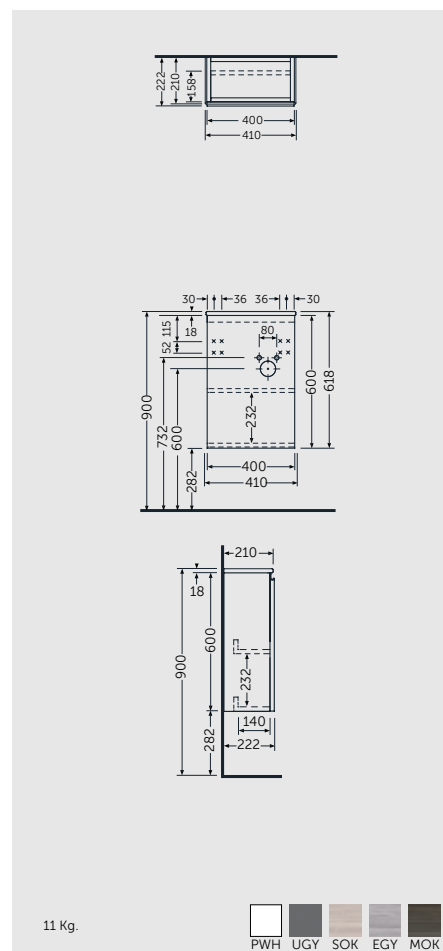


120cm = 2x W 60CM Units  
JOYWH060UGY x2



FOR VANITY (RAK-JOY)  
PP WHITE : BTRWBPPR021  
Inspectionable

### Measurements | Misure | Dimensions | Abmessungen | Размеры



160cm = 2x W 80CM Units  
JOYWH080UGY x2



200cm = 2x W 100CM Units  
JOYWH100UGY x2

### Note | Nota | Remarque | Hinweis | Примечание

All dimensions in mm tolerance  $\pm 5\%$  for below 200mm and  $\pm 3\%$  for above 200mm | Tutte le dimensioni hanno una tolleranza di  $\pm 5\%$  mm al di sotto dei 200mm e di  $\pm 3\%$  mm al di sopra dei 200mm | Toutes les dimensions en mm tolérance  $\pm 5\%$  pour moins de 200mm et  $\pm 3\%$  pour plus de 200mm/ Alle Abmessungen in mm, Toleranz  $\pm 5\%$  für unter 200mm, und  $\pm 3\%$  für über 200mm | Все размеры указаны в мм, погрешность  $\pm 5\%$  ниже 200 мм и  $\pm 3\%$  выше 200 мм

# OPEN STORAGE AND TALL CABINET UNITS

**OPEN STORAGE UNITS** | Vani a vista | Unités de stockage ouvertes | Unidades de almacenamiento abierto | Offene Lagerungseinheiten | Открытые ячейки

**TALL CABINET UNIT**  
Colonna sospesa | Colonne Suspendue | Hochschrank | Высокий подвесной шкаф



20 CM  
JOYOS020MGY

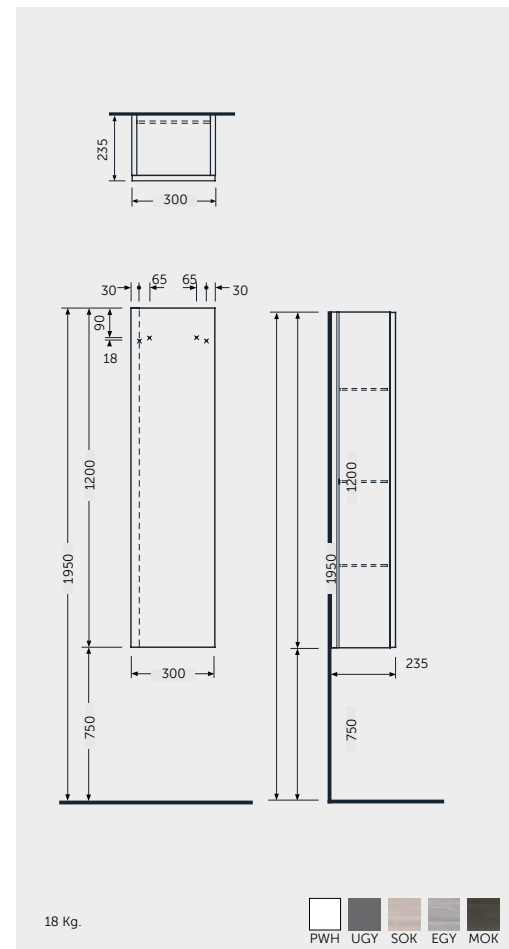
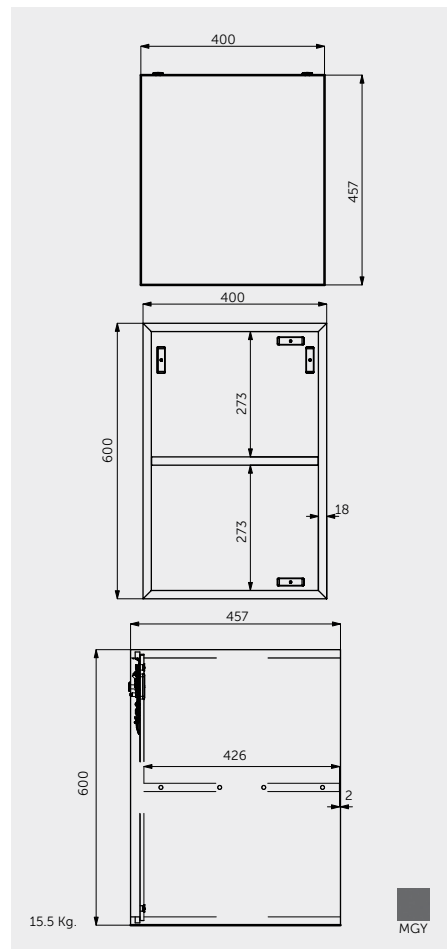
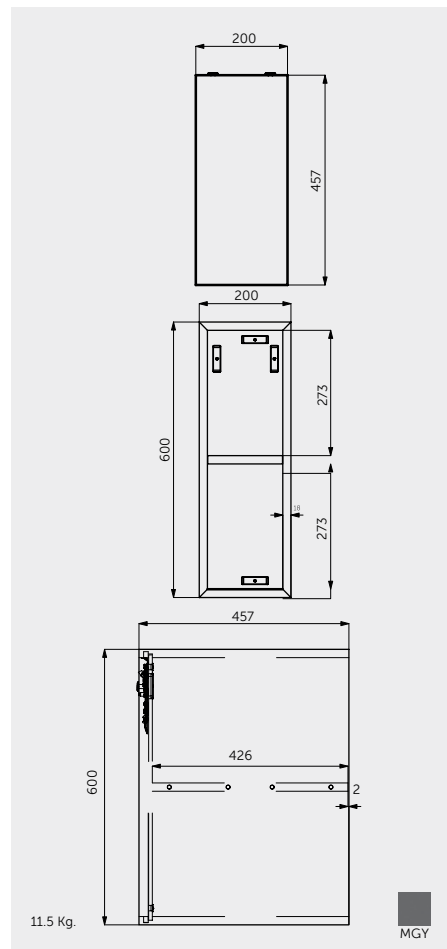


40 CM  
JOYOS040MGY



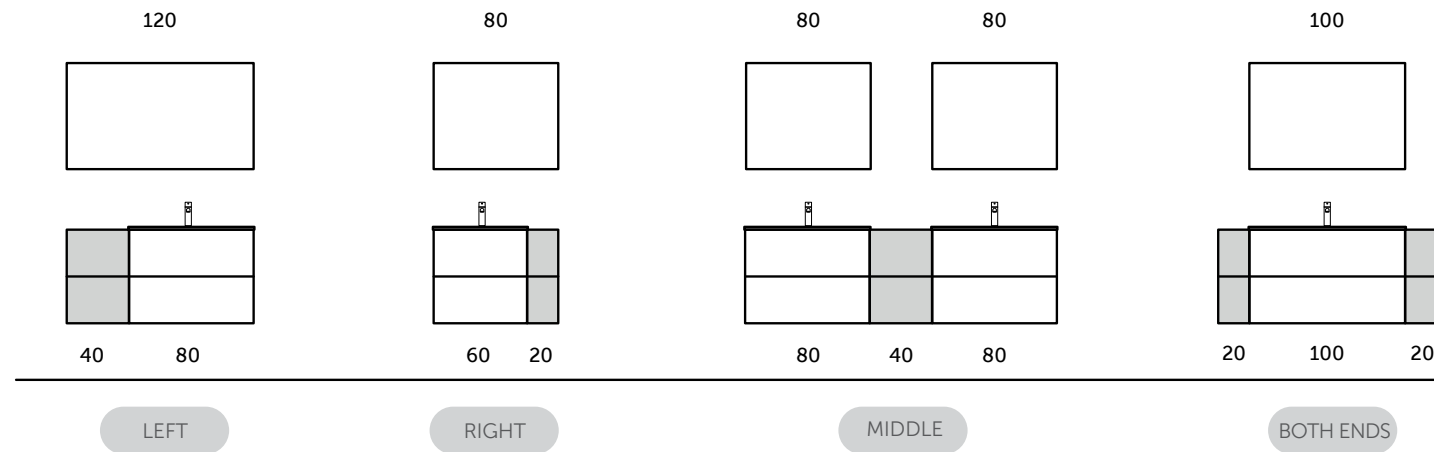
W 30 x D 23 x H 120CM  
JOYTS120UGY

Measurements | Misure | Dimensions | Abmessungen | Размеры

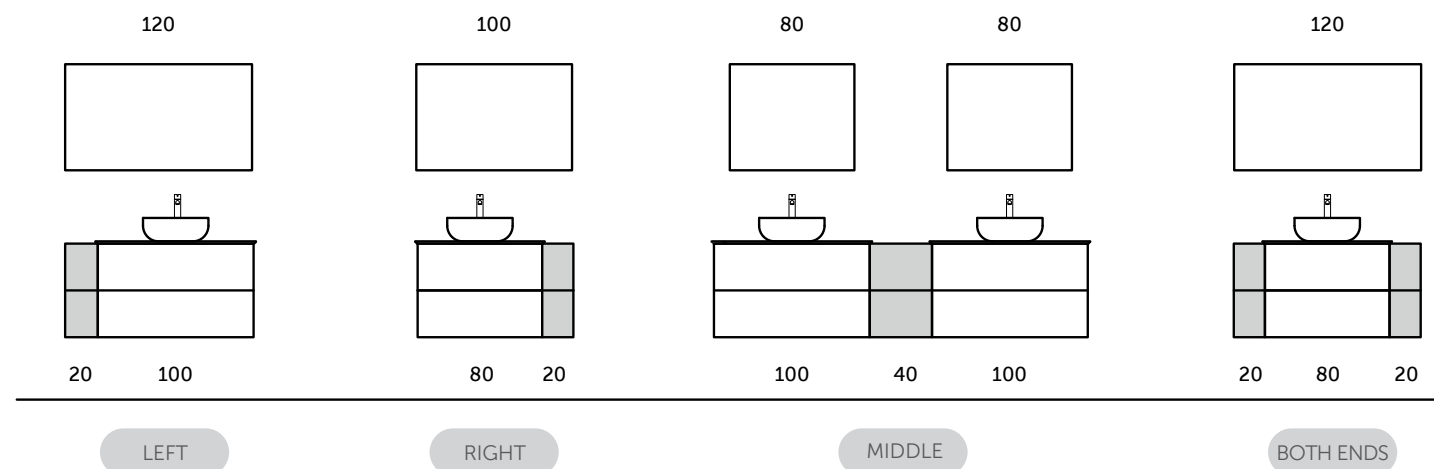




## WITH RAK-JOY OR RAK-PRECIOUS DROP-IN WASHBASINS



## WITH RAK-PRECIOUS SURFACE AND COUNTERTOP WASHBASINS



## RAK-JOY + OPEN STORAGE UNIT

Elevate your bathroom's style and functionality with the combination of RAK Precious drop in washbasin or countertop, RAK-Joy Vanity Unit and a modular Open Storage system. Designed to be mixed and matched according to your style, this combination offers the best space-saving solution, essential in keeping your bathroom organized.

Stile e funzionalità si fondono alla perfezione nel tuo bagno, grazie alla elegante composizione di RAK Precious lavabo da incasso o piano di lavoro, mobile bagno RAK-Joy e un sistema modulare Open Storage. Progettata per essere mixata e abbinata in base al tuo stile, questa combinazione offre la migliore soluzione salvaspazio, essenziale per mantenere organizzato il tuo bagno.

Améliorez le style et la fonctionnalité de votre salle de bains par la combinaison d'un bouchon d'écoulement pour lavabo ou plan de RAK Precious, un porte-lavabo de RAK-Joy et un système modulaire de stockage ouvert. Projetée pour être composée selon votre style, cette combinaison offre la meilleure solution peu encombrante, essentielle pour maintenir votre salle de bains bien organisée.

Werten Sie den Stil und die Funktionalität Ihres Badezimmers auf, mit der Kombination aus der Ablaufgarnitur für Waschbecken oder Arbeitsplatte RAK Precious, dem Unterschrank RAK-Joy und dem offenen Modularlagerungssystem. Entworfen um passend zu Ihrem Stil zusammengestellt zu werden, bietet diese Kombination die beste platzsparende Lösung, die wesentlich ist, um Ihr Badezimmer ordentlich zu halten.

Улучшите стиль и функциональность вашей ванной комнаты с помощью комбинации Rak Precious для накладных и встраиваемых раковин, Rak-Joy с наиболее понравившейся тумбой и модульной открытой системой хранения. Комбинация разработана, чтобы дать Вам возможность подбирать и составлять в соответствии с вашим стилем, эта комбинация предлагает лучшее решение для экономии места и пространства, необходимое для поддержания вашей ванной комнаты в порядке.



RAK-Joy washbasins



RAK-Precious washbasins



Counter top washbasins



RAK-Precious counter top surfaces







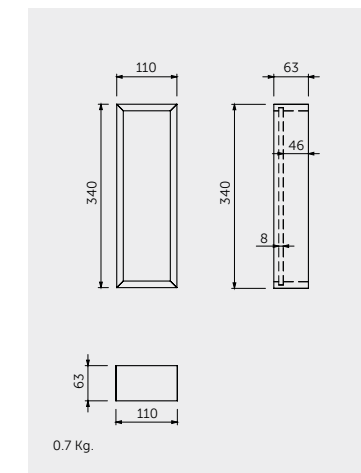


**DRAWER INSERT ORGANISERS** | Organizzatori per cassetto | Organiseur pour tiroirs | Schubladeneinsätze Einteiler | Органайзеры для выдвижных ящиков

**TOP DRAWER INSERT**  
 Organizzatori per cassetto  
 Organiseur pour tiroirs  
 Schubladeneinsätze Einteiler  
 Вкладыш в верхний ящик



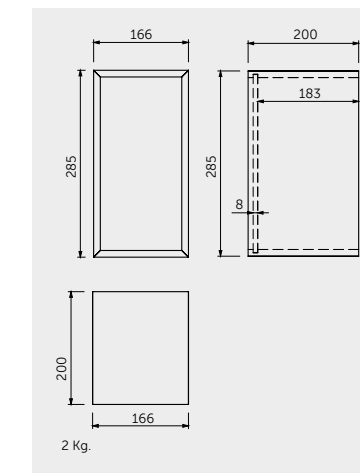
H 6 x W 11 x D 34CM  
 ANTHRACITE  
 JOYDIST



**BOTTOM DRAWER INSERT**  
 Organizzatori per cassetto  
 Organiseur pour tiroirs  
 Schubladeneinsätze Einteiler  
 Вкладыш в нижний ящик



H 20 x W 16 x D 29CM  
 ANTHRACITE  
 JOYDILB

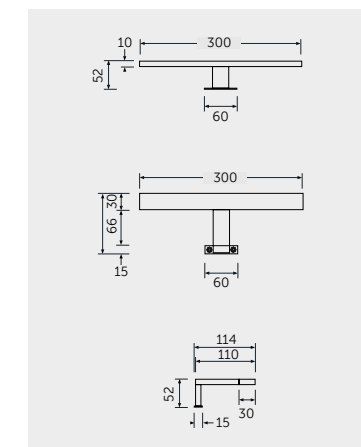


**LIGHTS** | Luci | Lumières | wandhängend | Подсветка

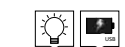
**TOP MOUNTED T-BAR LIGHT**  
 Luce "a T" montabile in alto  
 Spot en t-bar montée sur le dessus  
 T-bar Aufsatzlicht  
 T-образная подсветка с верхним креплением



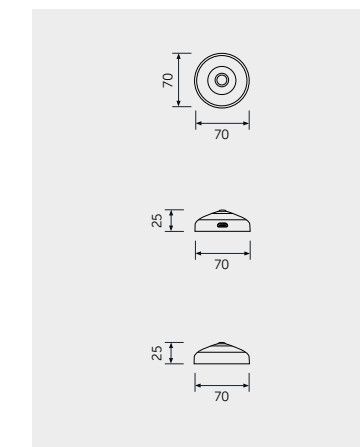
ABS: JOYTB6000CR1  
 Cool White 6000K  
 450 Lumens



**USB RECHARGABLE LIGHT**  
 Luce ricaricabile del USB  
 Lumière USB rechargeable  
 USB rechargeable Licht  
 Заряжаемая от USB подсветка



JOYUSBRCCR  
 Natural White 4000K  
 150 Lumens





# WASH BASINS / RAK-JOY UNO & RAK-JOY

**DROP IN WASH BASINS** | Lavabi da incasso | Plan vasque | Drop-in Waschbecken | Встраиваемая раковина



41 x 22CM  
JOYWB4106AWHA

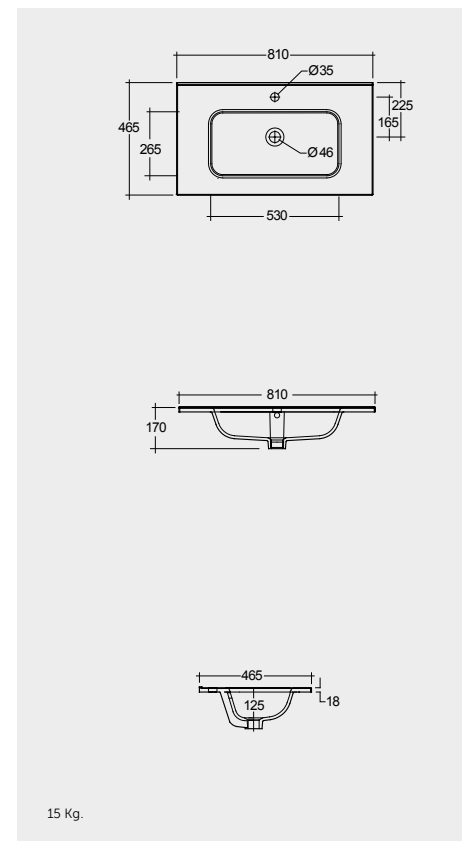
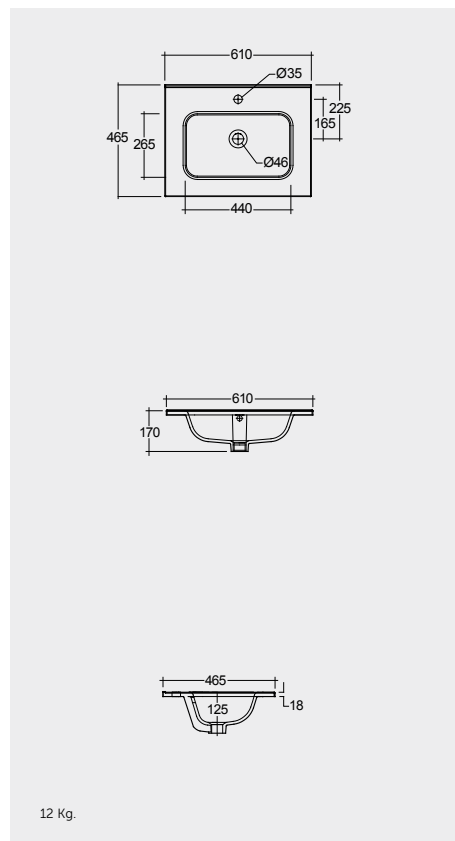
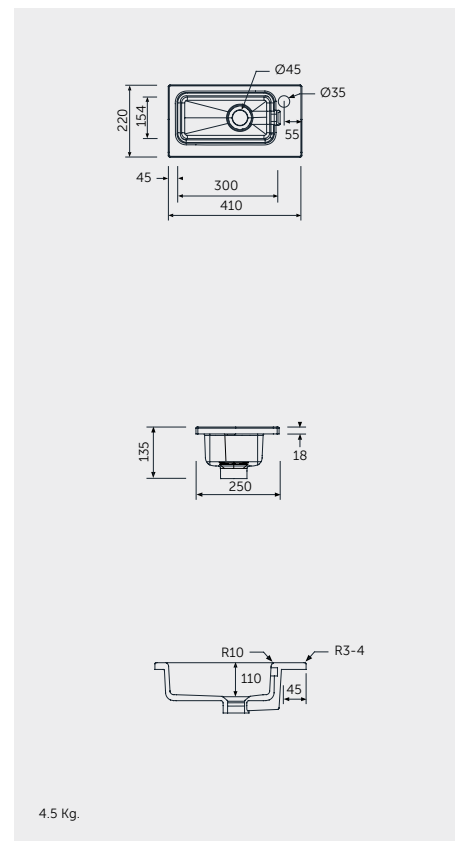


61 x 46CM  
JOYDI06101WH



81 x 46CM  
JOYDI08101WH

**Measurements** | Misure | Dimensions | Abmessungen | Размеры



**Note** | Nota | Remarque | Hinweis | Примечание

**All dimensions in mm tolerance ±5% for below 200mm and ±3% for above 200mm** | Tutte le dimensioni hanno una tolleranza di ±5% mm al di sotto dei 200mm e di ±3% mm al di sopra dei 200mm | Toutes les dimensions en mm tolérance ±5% pour moins de 200mm et ±3% pour plus de 200mm/ Alle Abmessungen in mm, Toleranz ±5% für unter 200mm, und ±3% für über 200mm | Все размеры указаны в мм, погрешность ±5% ниже 200 мм и ±3% выше 200 мм

**DROP IN WASH BASINS** | Lavabi da incasso | Plan vasque | Drop-in Waschbecken | Встраиваемая раковина

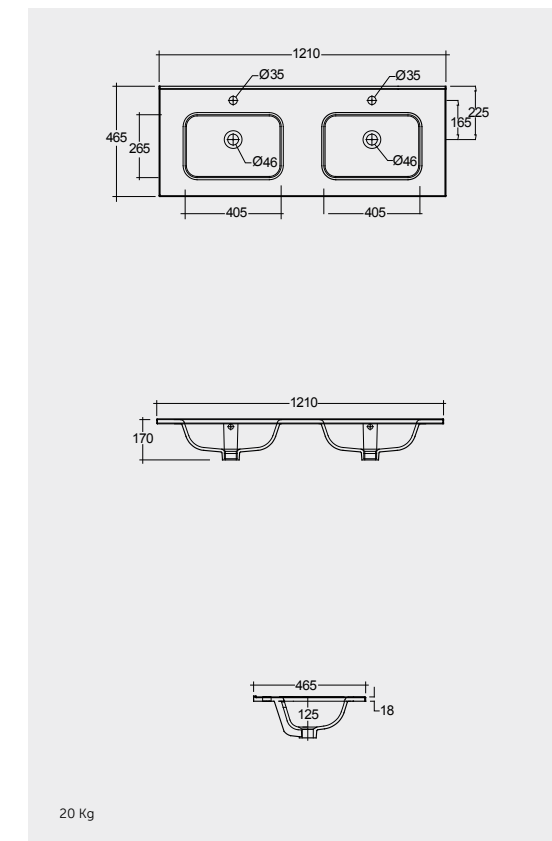
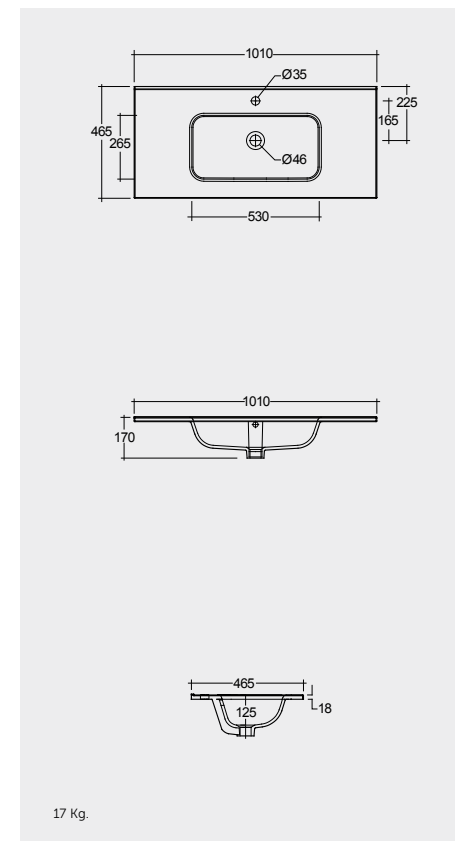


101 x 46CM  
JOYDI10101WH



121 x 46CM  
JOYDI12102WH

**Measurements** | Misure | Dimensions | Abmessungen | Размеры



FOR VANITY (RAK-JOY)  
PP WHITE : BTRWBPPR021  
Inspectionable



FOR VANITY (RAK-JOY UNO)  
PP WHITE : BTRWBPPR022  
Inspectionable  
Space Saving



# WASH BASINS / RAK-DES

**DROP IN WASH BASINS** | Lavabi da incasso | Plan vasque | Drop-in Waschbecken | Встраиваемая раковина



61 x 46 CM  
DESWB06101AWHA

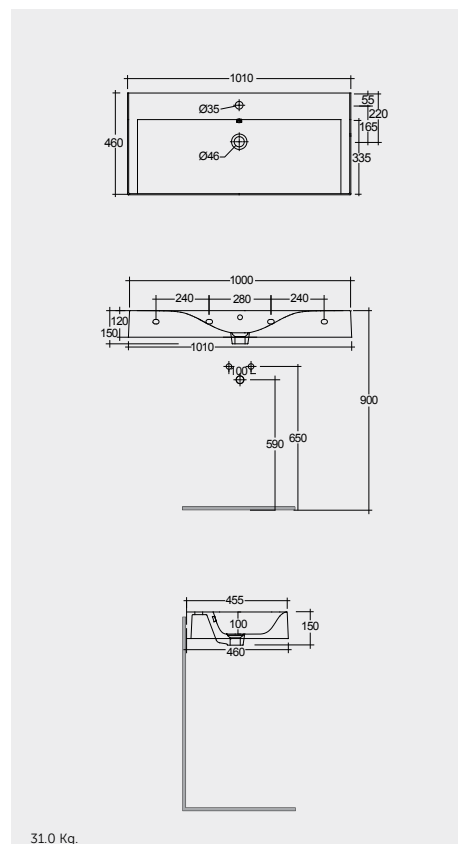
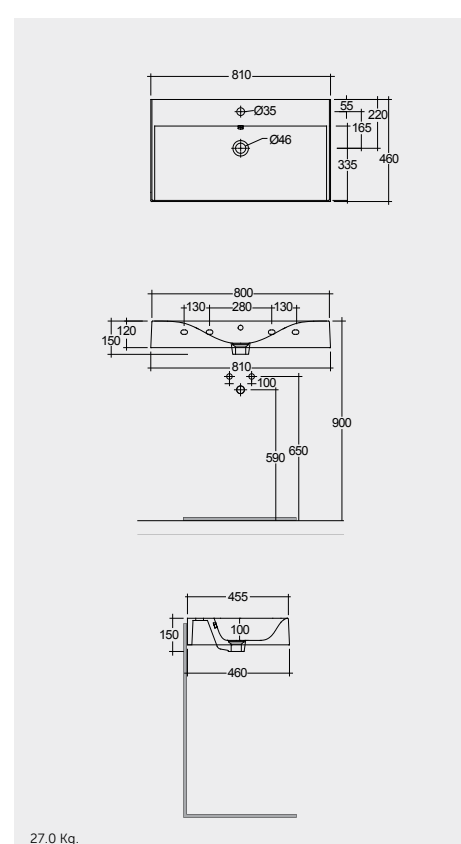
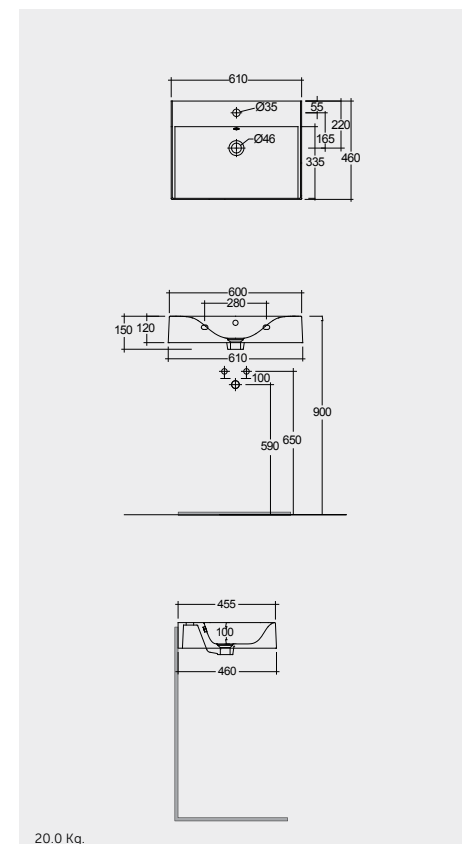


81 x 46 CM  
DESWB08101AWHA



101 x 46 CM  
DESWB10101AWHA

**Measurements** | Misure | Dimensions | Abmessungen | Размеры



**Note** | Nota | Remarque | Hinweis | Примечание

**All dimensions in mm tolerance ±5% for below 200mm and ±3% for above 200mm** | Tutte le dimensioni hanno una tolleranza di ±5% mm al di sotto dei 200mm e di ±3% mm al di sopra dei 200mm | Toutes les dimensions en mm tolérance ±5% pour moins de 200mm et ±3% pour plus de 200mm/ Alle Abmessungen in mm, Toleranz ±5% für unter 200mm, und ±3% für über 200mm | Все размеры указаны в мм, погрешность ±5% ниже 200 мм и ±3% выше 200 мм

**DROP IN WASH BASINS** | Lavabi da incasso | Plan vasque | Drop-in Waschbecken | Встраиваемая раковина



121 x 46 CM  
DESWB12101AWHA



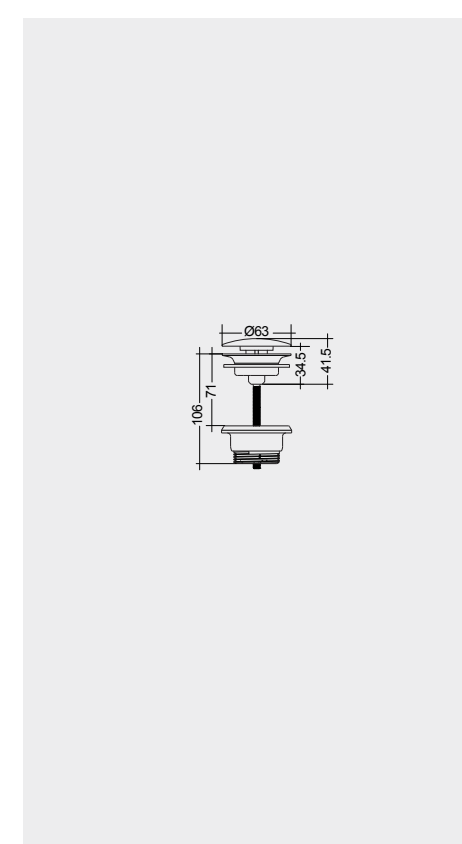
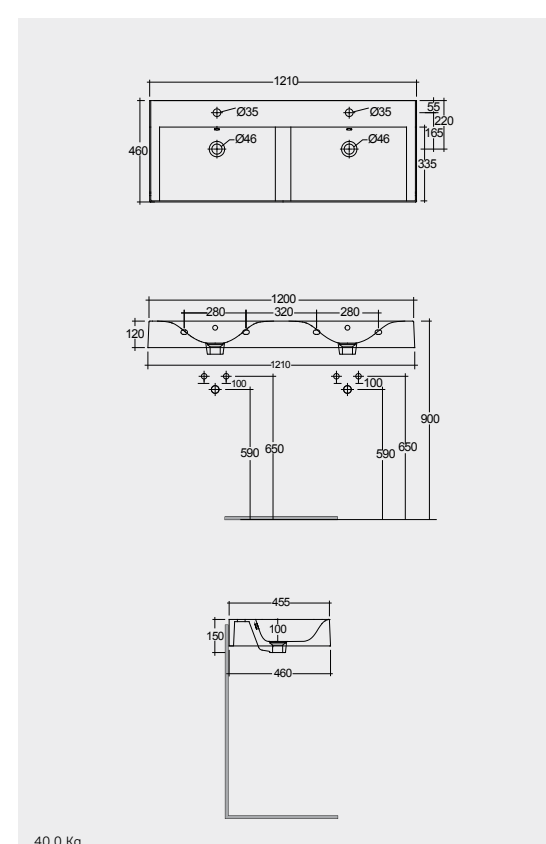
FREE-FLOW  
CHROME : DUO002444

CLICK-CLACK  
CHROME : DUO000444



FOR VANITY (RAK-JOY)  
PP WHITE : BTRWBPPR021  
Inspectionable

**Measurements** | Misure | Dimensions | Abmessungen | Размеры



FOR VANITY (RAK-JOY UNO)  
PP WHITE : BTRWBPPR022  
Inspectionable  
Space Saving

# WASH BASINS / RAK-DES

**DROP IN WASH BASINS** | Lavabi da incasso | Plan vasque | Drop-in Waschbecken | Встраиваемая раковина



61 x 46 CM  
DESWB06100AWHA

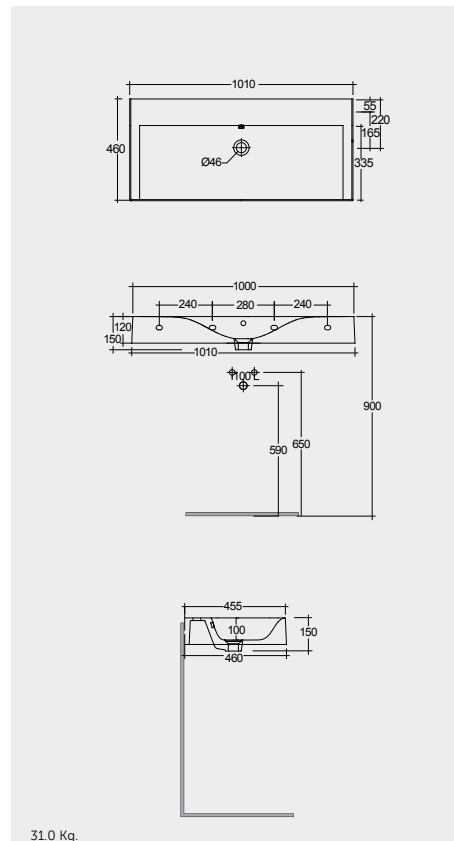
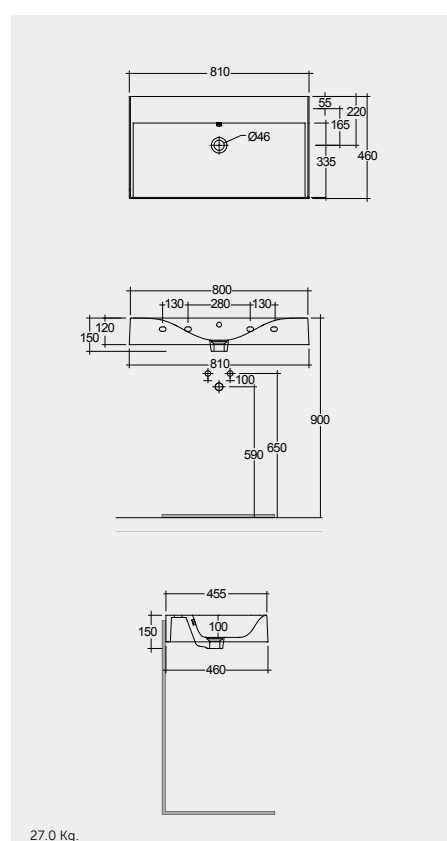
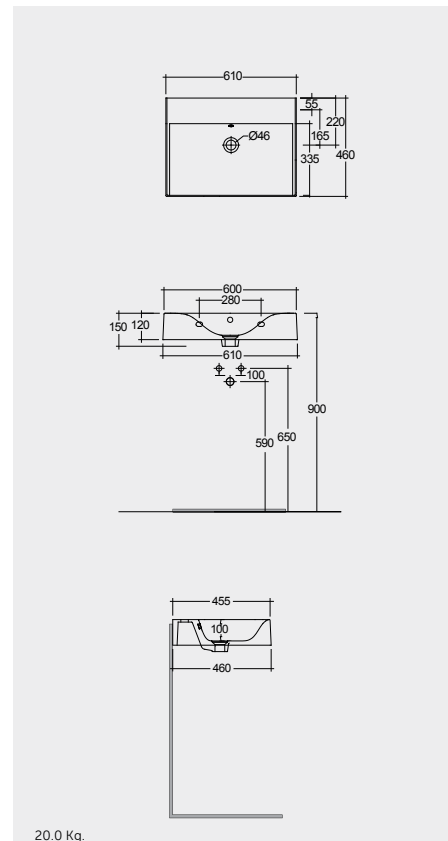


81 x 46 CM  
DESWB08100AWHA



101 x 46 CM  
DESWB10100AWHA

**Measurements** | Misure | Dimensions | Abmessungen | Размеры



**DROP IN WASH BASINS** | Lavabi da incasso | Plan vasque | Drop-in Waschbecken | Встраиваемая раковина



121 x 46 CM  
DESWB12100AWHA



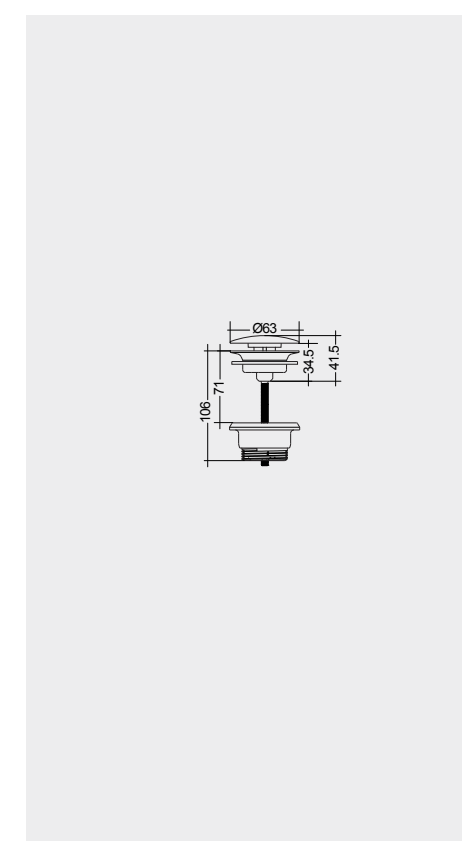
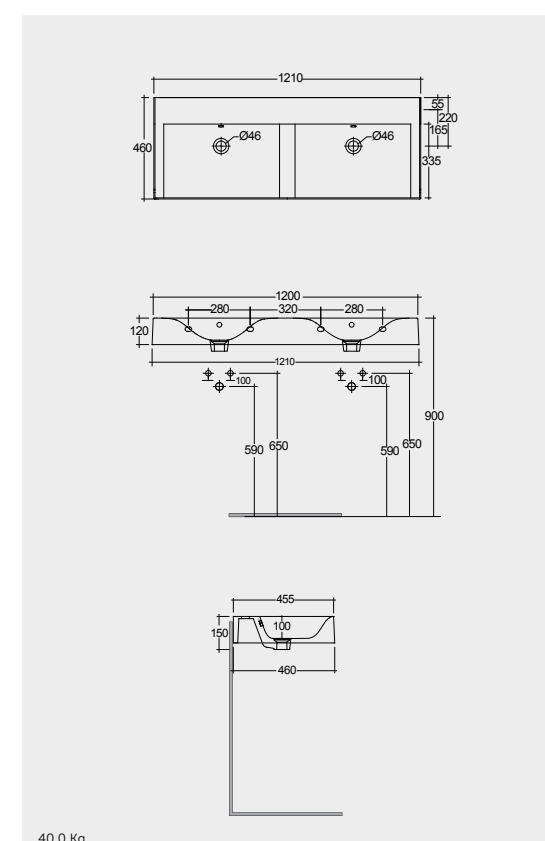
FREE-FLOW  
CHROME : DUO002444

CLICK-CLACK  
CHROME : DUO000444



FOR VANITY (RAK-JOY)  
PP WHITE : BTRWBPPR021  
**Inspectionable**

**Measurements** | Misure | Dimensions | Abmessungen | Размеры



FOR VANITY (RAK-JOY UNO)  
PP WHITE : BTRWBPPR022

**Inspectionable**  
**Space Saving**

# WASH BASINS / RAK-PRECIOUS

Drop-In Wash Basin 63 CM



63 CM  
PREOC06347102A

Drain Included

Drop-In Wash Basin 83 CM



83 CM  
PREOC08347102A

Drain Included

Drop-In Wash Basin 103 CM



103 CM  
PREOC10347102A

Drain Included

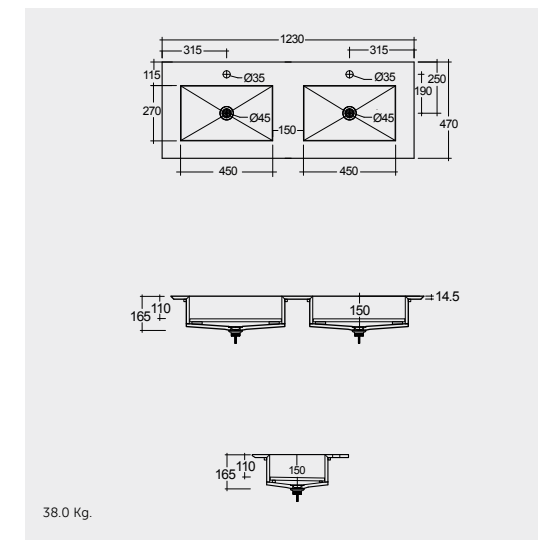
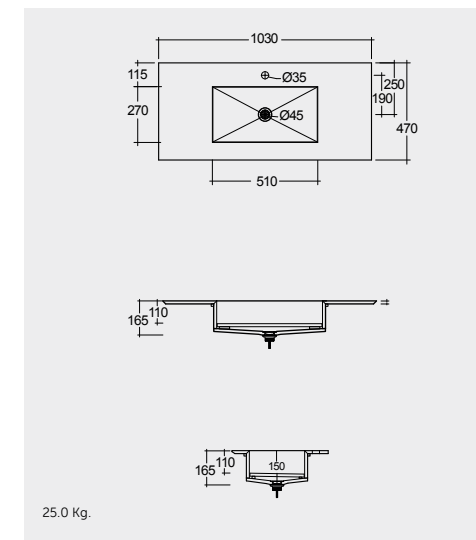
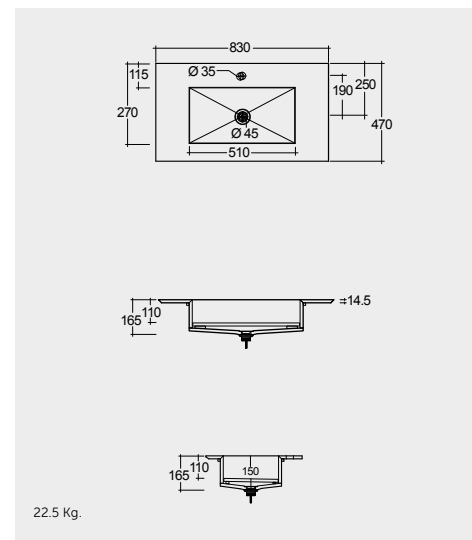
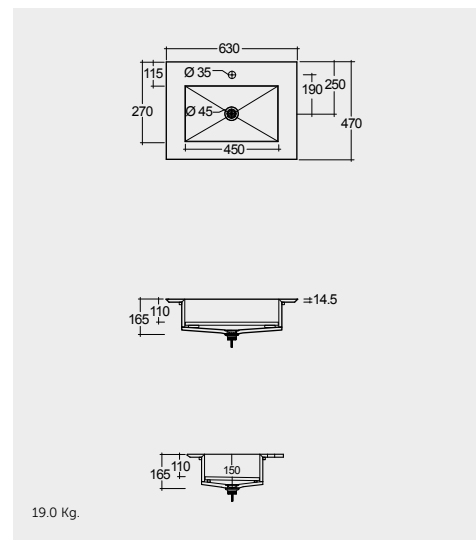
Drop-In Wash Basin 123 CM



123 CM  
PREOC12347102A

Drain Included (2)

Measurements | Misure | Dimensions | Abmessungen | Размеры



- 100 CARRARA (LAPPATO)
- 101 MACAUBAS (NATURAL)
- 102 TRAVERTINO IVORY (LAPPATO)
- 103 SURFACE XL COOL GREY (NATURAL)
- 104 BEHIND GREY (NATURAL)
- 105 UNI DARK BLACK (NATURAL)

- 100 CARRARA (LAPPATO)
- 101 MACAUBAS (NATURAL)
- 102 TRAVERTINO IVORY (LAPPATO)
- 103 SURFACE XL COOL GREY (NATURAL)
- 104 BEHIND GREY (NATURAL)
- 105 UNI DARK BLACK (NATURAL)

- 100 CARRARA (LAPPATO)
- 101 MACAUBAS (NATURAL)
- 102 TRAVERTINO IVORY (LAPPATO)
- 103 SURFACE XL COOL GREY (NATURAL)
- 104 BEHIND GREY (NATURAL)
- 105 UNI DARK BLACK (NATURAL)

- 100 CARRARA (LAPPATO)
- 101 MACAUBAS (NATURAL)
- 102 TRAVERTINO IVORY (LAPPATO)
- 103 SURFACE XL COOL GREY (NATURAL)
- 104 BEHIND GREY (NATURAL)
- 105 UNI DARK BLACK (NATURAL)

Note | Nota | Remarque | Hinweis | Примечание

All dimensions in mm tolerance  $\pm 5\%$  for below 200mm and  $\pm 3\%$  for above 200mm | Tutte le dimensioni hanno una tolleranza di  $\pm 5\%$  mm al di sotto dei 200mm e di  $\pm 3\%$  mm al di sopra dei 200mm | Toutes les dimensions en mm tolérance  $\pm 5\%$  pour moins de 200mm et  $\pm 3\%$  pour plus de 200mm/ Alle Abmessungen in mm, Toleranz  $\pm 5\%$  für unter 200mm, und  $\pm 3\%$  für über 200mm | Все размеры указаны в мм, погрешность  $\pm 5\%$  ниже 200 мм и  $\pm 3\%$  выше 200 мм

## RAK-PRECIOUS + RAK-JOY




RAK Precious drop in washbasins and countertop solutions can be combined with your favorite RAK-Joy bathroom vanity. RAK-Joy vanities are available in 4 different finishes, perfectly compatible with RAK-Precious colours and finishes.



FOR MORE DETAILS PLEASE GO TO PAGE: 440





 W 80 x D 3 x H 68 CM  
JOYMR08068STD  W 80 x D 46 x H 60 CM  
JOYWH080PWH  40 CM  
JOYOS040MGY



# RAK-PLANO

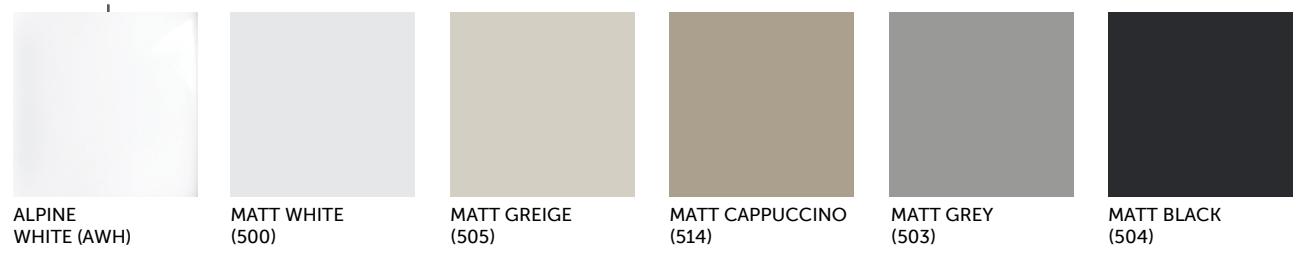


RAK-Plano countertop surfaces combine elegance, durability and practicality, transforming your RAK-Joy or RAK-Joy Uno vanity unit into one of the most versatile accessories at the service of your design projects. Available in 3 different TECHWOOD finishes and in our innovative matt white RAKSOLID material. RAK-Plano is a one-piece vanity top, without joints that can be drilled and cut (if necessary) directly on site, allowing you the greatest freedom in positioning the washbasins and mixers.





# RAK-PLANO COLOURS AND FINISHES



MATT WHITE (500)  
(RAKSOLID)

SCANDINAVIAN OAK (SOK)  
(TECHWOOD)

GREY ELM (EGY)  
(TECHWOOD)

MOKA WALNUT (MOK)  
(TECHWOOD)

# RAK-PLANO MATERIALS

## RAKSOLID



1 No layers, solid surface



RAKSOLID is the new durable solid surface material, composed of a mixture of natural minerals and resins. It exudes consistent quality and performance. The elegant matte white finish gives a distinctive feel to the vanity surface and it is pleasant to the touch.

RAKSOLID è il nuovo materiale durevole per superfici solide, composto da una miscela di minerali naturali e resine. Garantisce qualità e prestazioni costanti. L'elegante finitura bianca opaca conferisce alla superficie del mobile una sensazione unica ed è piacevole al tatto.

RAKSOLID est le nouveau matériel de surface solide durable, composé d'un mélange de minéraux naturels et de résines. Il dégage une qualité et une performance permanentes. L'élégante finition blanche mate donne une sensation distinctive à la surface du lavabo et il est agréable au toucher.

RAKSOLID ist das neue robuste Material für feste Oberflächen, das aus einer Mischung natürlicher Mineralien und Harze besteht. Es strahlt gleichbleibende Qualität und Leistungsfähigkeit aus. Mit dem eleganten mattweißen Finish fühlt sich die Waschtischoberfläche unverwechselbar und angenehm an.

RAKSOLID - это новый прочный материал с твердой поверхностью, состоящий из смеси природных минералов и смол. Он отличается неизменно высоким качеством и производительностью. Элегантная матовая белая отделка придает особый вид поверхности умывальника и приятна на ощупь.

## TECHWOOD

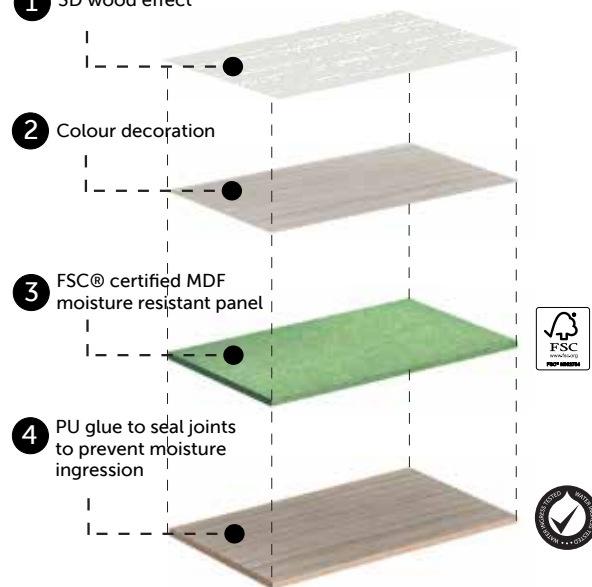


1 3D wood effect

2 Colour decoration

3 FSC® certified MDF moisture resistant panel

4 PU glue to seal joints to prevent moisture ingress



TECHWOOD is the new wood effect material that gives the tactile impression of real wood. Revel in the touch and feel of its vibrant texture. To protect the environment, TECHWOOD is produced from polypropylene recyclable material.

TECHWOOD è il nuovo materiale a finitura legno che conferisce la sensazione tattile di vero legno. Accarezza la superficie e prova la sensazione della sua vibrante venatura. Per proteggere l'ambiente, TECHWOOD è prodotto con materiale riciclabile in polipropilene.

TECHWOOD est le nouveau matériau à effet bois qui donne l'impression tactile du vrai bois. Revel dans le toucher et la sensation de sa texture dynamique. Pour protéger l'environnement, TECHWOOD est fabriqué à partir de matériaux recyclable en polypropylène.

TECHWOOD ist das neue Holz-Effekt-Material, das den fühlbaren Eindruck von echtem Holz vermittelt. Genießen Sie die Berührung und das Gefühl seiner lebendigen Textur. Um die Umwelt zu schützen, wird TECHWOOD aus recyceltem Polypropylen hergestellt.

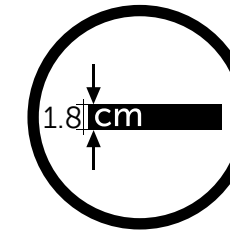
TECHWOOD - это новый материал с эффектом древесины, дающий тактильное ощущение натурального дерева. Насладитесь его живой текстурой! Для защиты окружающей среды TECHWOOD изготавливается из перерабатываемого полипропилена.

# RAKSOLID DESIGN AND TECHWOOD FUNCTIONALITY

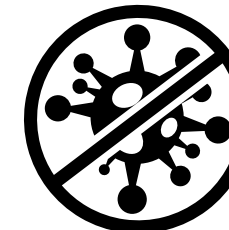
## RAKSOLID



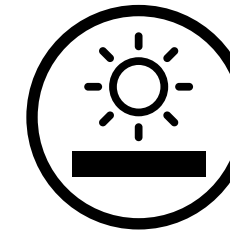
**WATER RESISTANT**  
RESISTENTE ALL'ACQUA  
RESISTANT À L'EAU  
WASSEREINTRITT GETESTET  
ВОДОСТОЙКИЙ



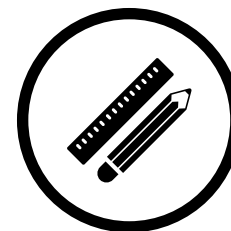
**ULTRA THIN: 1.8 CM THICKNESS**  
ULTRA SOTTILE: SPESSORE 1.8 CM  
ULTRA FIN: ÉPAISSEUR: 1.8 CM  
ULTRADÜNN: DICKE 1.8 CM  
УЛЬТРАТОНКИЙ: ТОЛЩИНА 1.8 CM



**HYGIENIC AND BACTERIOSTATIC**  
IGIENICO E BATTERIOSTATICO  
HYGIÉNIQUE ET BACTÉRIOSTATIQUE  
HYGIENISCH UND BAKTERIOSTATISCH  
ГИГИЕНИЧНЫЙ И БАКТЕРИОСТАТИЧЕСКИЙ



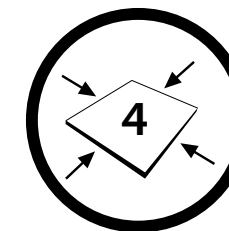
**LIGHT FASTNESS**  
RESISTENTE ALLE VARIAZIONI DI LUCE  
RESISTANT AUX VARIATIONS DE LUMIÈRE  
RESISTENT GEGEN LICHTWECHSELWIRKUNGEN  
СТОЙКАЯ К ВЫЦВЕТАНИЮ ПОВЕРХНОСТЬ



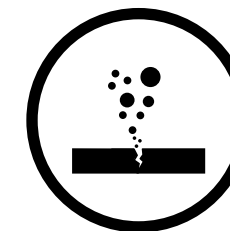
**CUSTOM**  
PERSONALIZZABILE  
PERSONNALISABLES  
PERSONALISIERBAR  
ВОЗМОЖНОСТЬ ПЕРСОНАЛИЗАЦИИ



**RESISTANT TO CHEMICAL PRODUCTS**  
RESISTENTE AI PRODOTTI CHIMICI  
RESISTANT AUX PRODUITS CHIMIQUES  
RESISTENT GEGEN CHEMISCHE PRODUKTE  
УСТОЙЧИВОСТЬ К ХИМИЧЕСКИМ ПРОДУКТАМ



**GLAZED ON 4 SIDES**  
SMALTATO SU 4 LATI  
ÉMAILLÉ LES CÔTÉS  
4 GLASIERTE SEITEN  
ПОКРЫТИЕ ГЛАЗУРЫЮ С -4Х СТОРОН

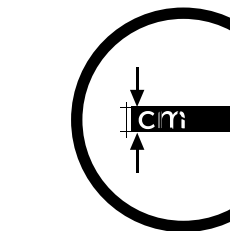


**REPAIR**  
RIPARABILE IN CASO DI GRAFFI  
RÉPARABLES EN CAS D'ÉGRATIGNURES  
REPARIERBAR BEI KRATZERN  
ВОЗМОЖНОСТЬ РЕМОНТА

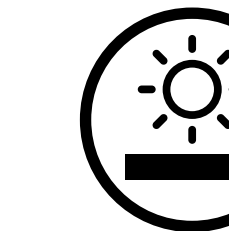
## TECHWOOD



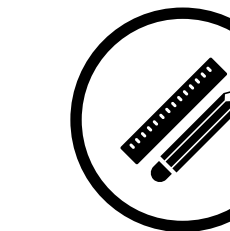
**WATER INGRESS TESTED**  
TESTATO CONTRO LA PENETRAZIONE DELL'ACQUA  
TESTÉ CONTRE LA FUITE D'EAU  
WASSEREINBRUCH GETESTET  
ПРОТЕСТИРОВАНО НА ПРОНИКНОВЕНИЕ ВОДЫ



**ULTRA THIN: 1.8 CM THICKNESS**  
ULTRA SOTTILE: SPESSORE 1.8 CM  
ULTRA FIN: ÉPAISSEUR: 1.8 CM  
ULTRADÜNN: DICKE 1.8 CM  
УЛЬТРАТОНКИЙ: ТОЛЩИНА 1.8 CM



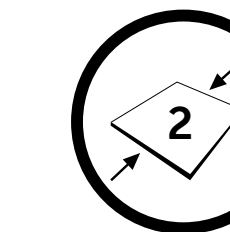
**LIGHT FASTNESS**  
RESISTENTE ALLE VARIAZIONI DI LUCE  
RESISTANT AUX VARIATIONS DE LUMIÈRE  
RESISTENT GEGEN LICHTWECHSELWIRKUNGEN  
СТОЙКАЯ К ВЫЦВЕТАНИЮ ПОВЕРХНОСТЬ



**CUSTOM**  
PERSONALIZZABILE  
PERSONNALISABLES  
PERSONALISIERBAR  
ВОЗМОЖНОСТЬ ПЕРСОНАЛИЗАЦИИ



**RESISTANT TO CHEMICAL PRODUCTS**  
RESISTENTE AI PRODOTTI CHIMICI  
RESISTANT AUX PRODUITS CHIMIQUES  
RESISTENT GEGEN CHEMISCHE PRODUKTE  
УСТОЙЧИВОСТЬ К ХИМИЧЕСКИМ ПРОДУКТАМ



**EDGED ON 2 SIDES ONLY**  
BORDATO SOLO SU 2 LATI  
BORDÉ UNIQUEMENT SUR 2 CÔTÉS  
NUR AUF 2 SEITEN EINGEFASST  
КРОМКА ОТДЕЛАНА ТОЛЬКО С ДВУХ СТОРОН



**EDGED ON 2 SIDES ONLY**  
BORDATO SOLO SU 2 LATI  
BORDÉ UNIQUEMENT SUR 2 CÔTÉS  
NUR AUF 2 SEITEN EINGEFASST  
КРОМКА ОТДЕЛАНА ТОЛЬКО С ДВУХ СТОРОН



**THE MOST VERSATILE AND ELEGANT SOLUTION FOR YOUR VANITY TOP |**

LA PIU' VERSATILE ED ELEGANTE SOLUZIONE PER | LA SOLUTION LA PLUS POLYVALENTE ET LA PLUS ÉLÉGANTE POUR VOTRE PLAN DE TOILETTE | DIE VIELSEITIGSTE UND ELEGANTESTE LÖSUNG FÜR IHREN WASCHTISCH | САМОЕ УНИВЕРСАЛЬНОЕ И ЭЛЕГАНТНОЕ РЕШЕНИЕ ДЛЯ ВАШЕГО ТУАЛЕТНОГО СТОЛИКА.



With RAK-Plano you have the freedom to choose how and where to place your sink and mixer, thanks to the possibility to cut and drill the top during the installation, if necessary.

\* the picture refers to the installation of RAK-Plano on RAK-Joy Uno vanity unit.

Con RAK-Plano hai la libertà di scegliere come e dove posizionare il tuo lavabo ed il mixer, grazie alla possibilità di tagliare e forare il piano durante l'installazione, se necessario.

\*la fotografia si riferisce all'installazione di RAK-Plano su RAK-Joy Uno vanity unit.

Avec RAK-Plano, vous avez la liberté de choisir comment et où placer votre évier et votre mitigeur, grâce à la possibilité de couper et de percer le plan pendant l'installation, si nécessaire.

\* L'image se réfère à l'installation de RAK-Plano sur le meuble sous-vasque RAK-Joy Uno.

Mit RAK-Plano können Sie frei wählen, wie und wo Sie Ihre Spüle und Ihren Mischer aufstellen möchten, da Sie bei Bedarf die Oberseite während der Installation abschneiden und bohren können.

\* Das Bild bezieht sich auf die Installation von RAK-Plano auf einem RAK-Joy Uno-Waschtisch.

С RAK-Plano у вас есть свобода выбора, как и где разместить умывальник и смеситель, благодаря возможности при необходимости вырезать и просверлить верхнюю часть во время установки.

\* изображение относится к установке RAK-Plano на умывальник RAK-Joy Uno.

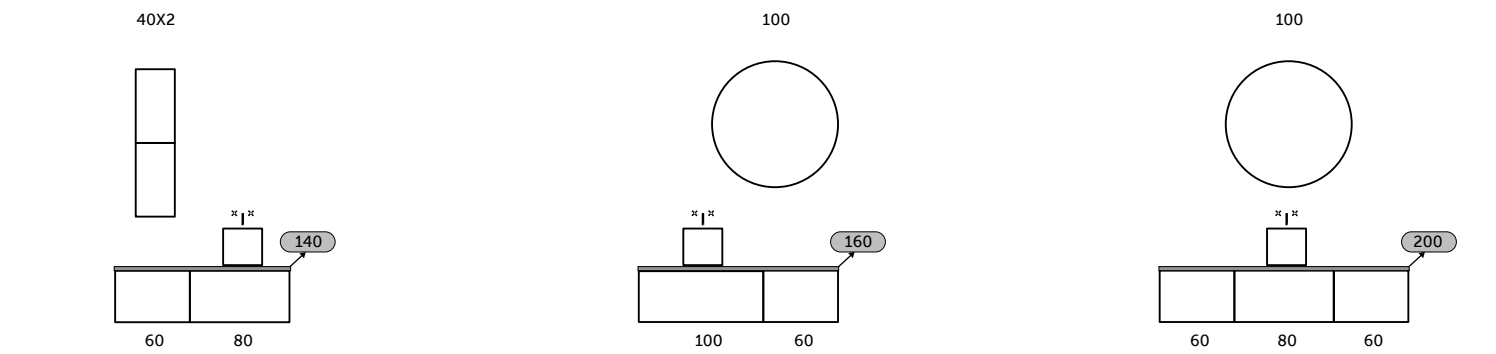


# RAK-PLANO WITH RAK-JOY UNO

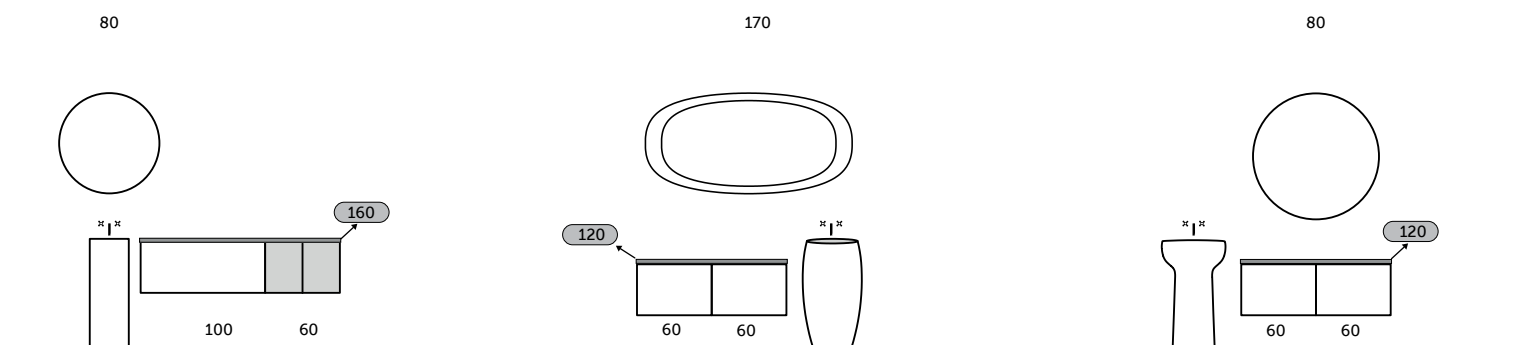
## RAK-PLANO & COUNTERTOP WB



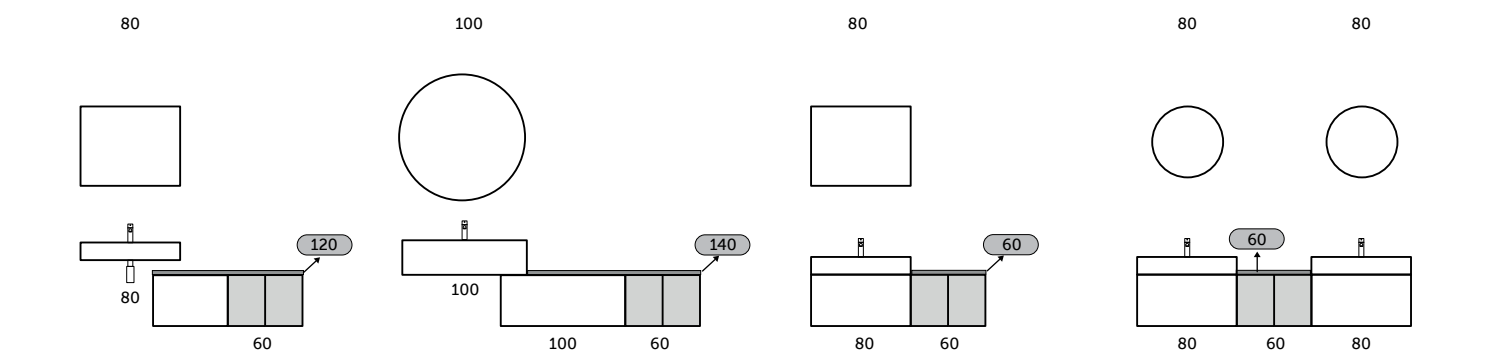
## RAK-PLANO & TALL COUNTERTOP WB



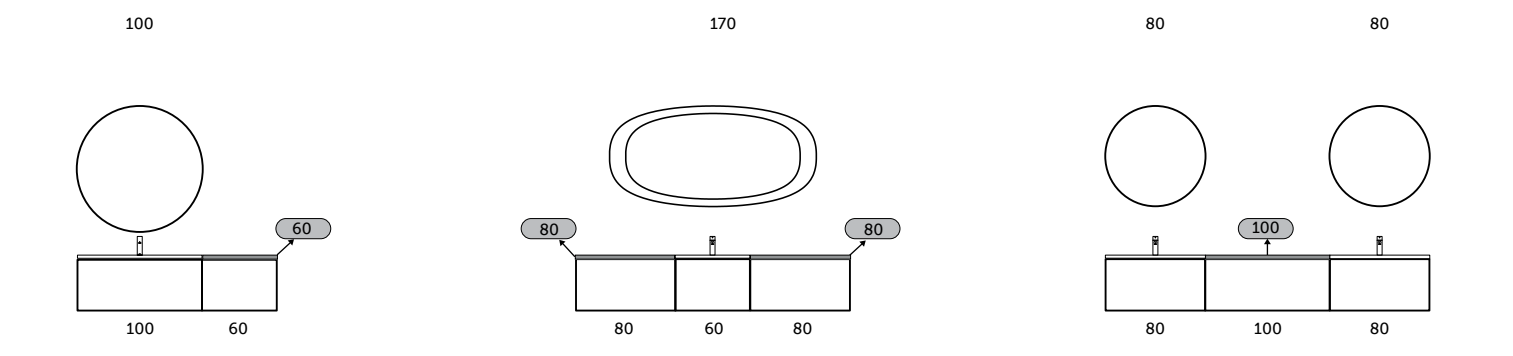
## RAK-PLANO & FREESTANDING WB



## RAK-PLANO & RAK-DES / RAK-PRECIOUS WB

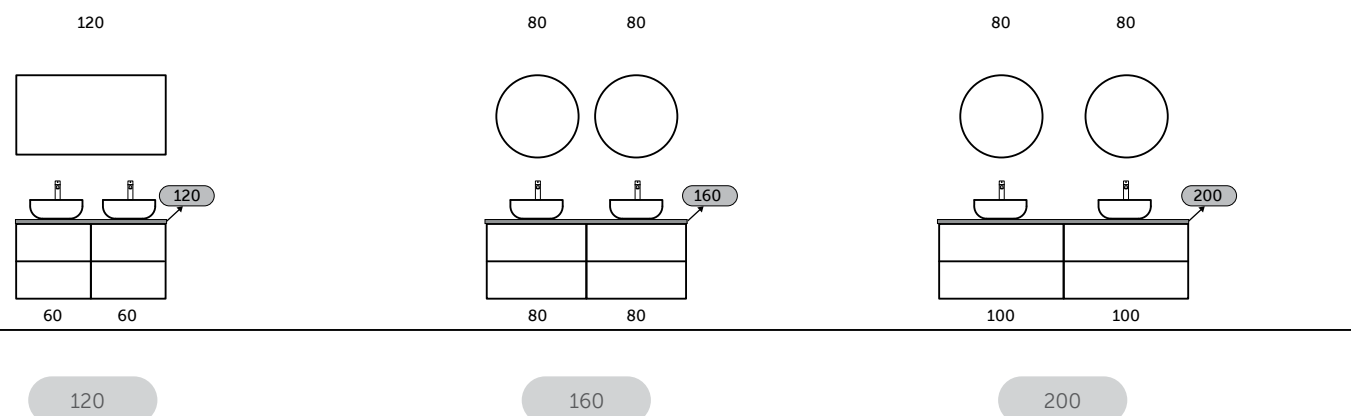


## RAK-PLANO & DROP IN WB

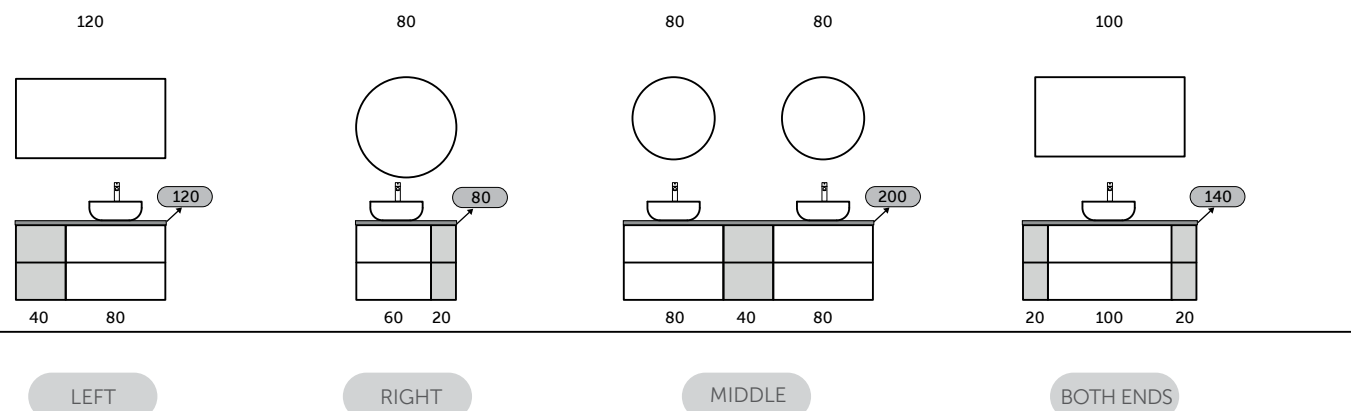


# RAK-PLANO WITH RAK-JOY

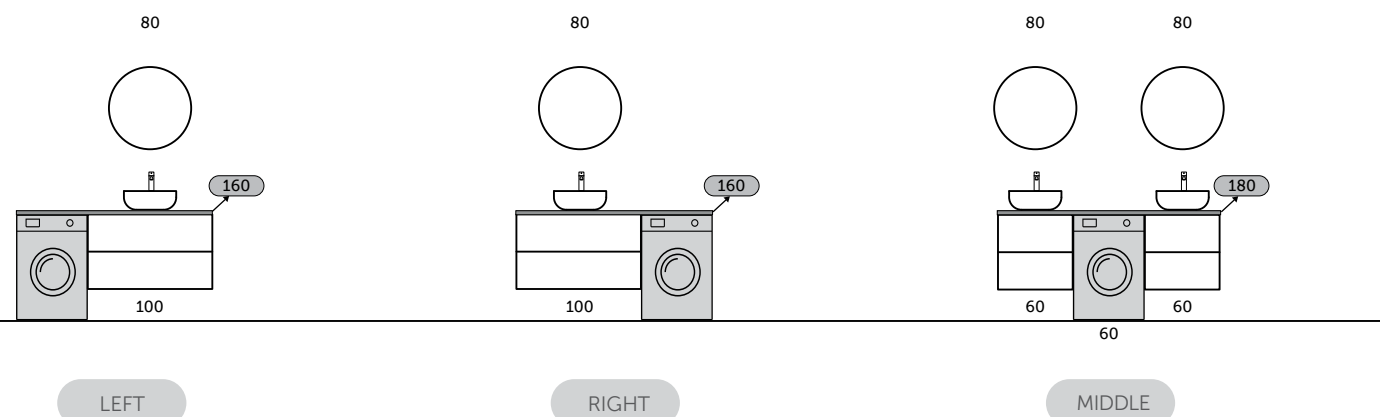
## RAK-PLANO & COUNTERTOP WB



## RAK-PLANO & OPEN STORAGE + COUNTERTOP WB



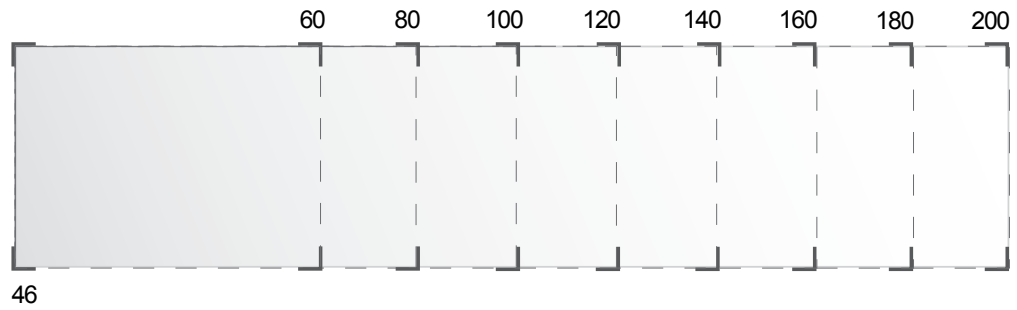
## RAK-PLANO FOR SPECIAL INSTALLATIONS



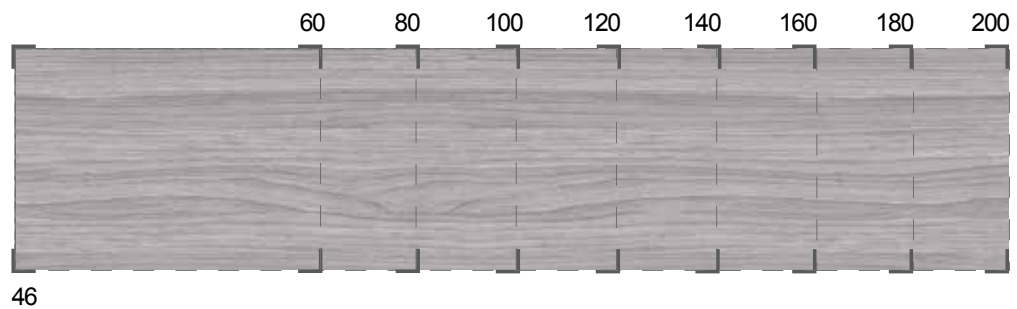


# RAK-PLANO / PRODUCT RANGE

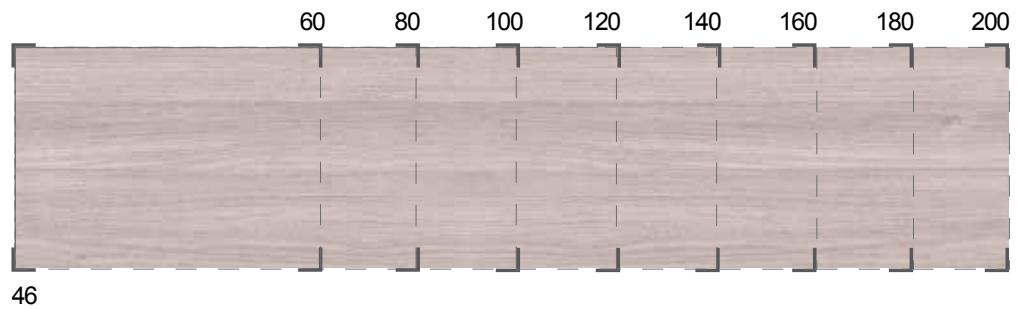
RAKSOLID



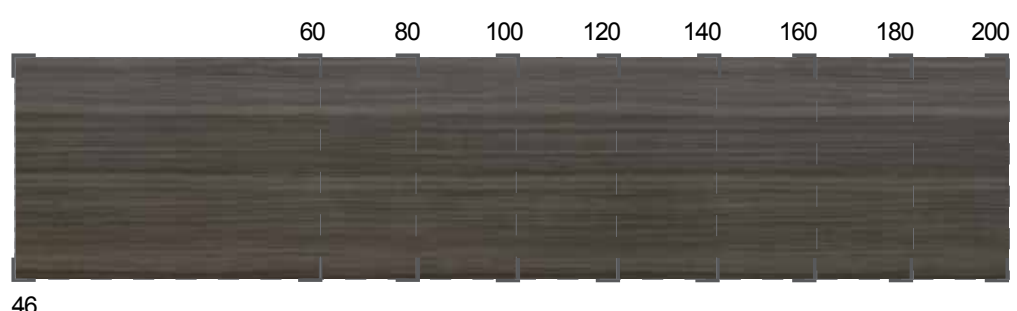
TECHWOOD - SCANDINAVIAN OAK (SOK)



TECHWOOD - GREY ELM (EGY)



TECHWOOD - MOKA WALNUT (MOK)





# RAK-PLANO SURFACES IN RAKSOLID

Counter Top Slab 61 CM + Bowl



61 CM  
PLASL06146500

Counter Top Slab 81 CM + Bowl



81 CM  
PLASL08146500

Counter Top Slab 101 CM + Bowl



101 CM  
PLASL10146500

Counter Top Slab 121 CM + Bowl



121 CM  
PLASL12146500

Counter Top Slab 141 CM + Bowl



141 CM  
PLASL14146500

Counter Top Slab 161 CM + Bowl



161 CM  
PLASL16146500

Counter Top Slab 181 CM + Bowl



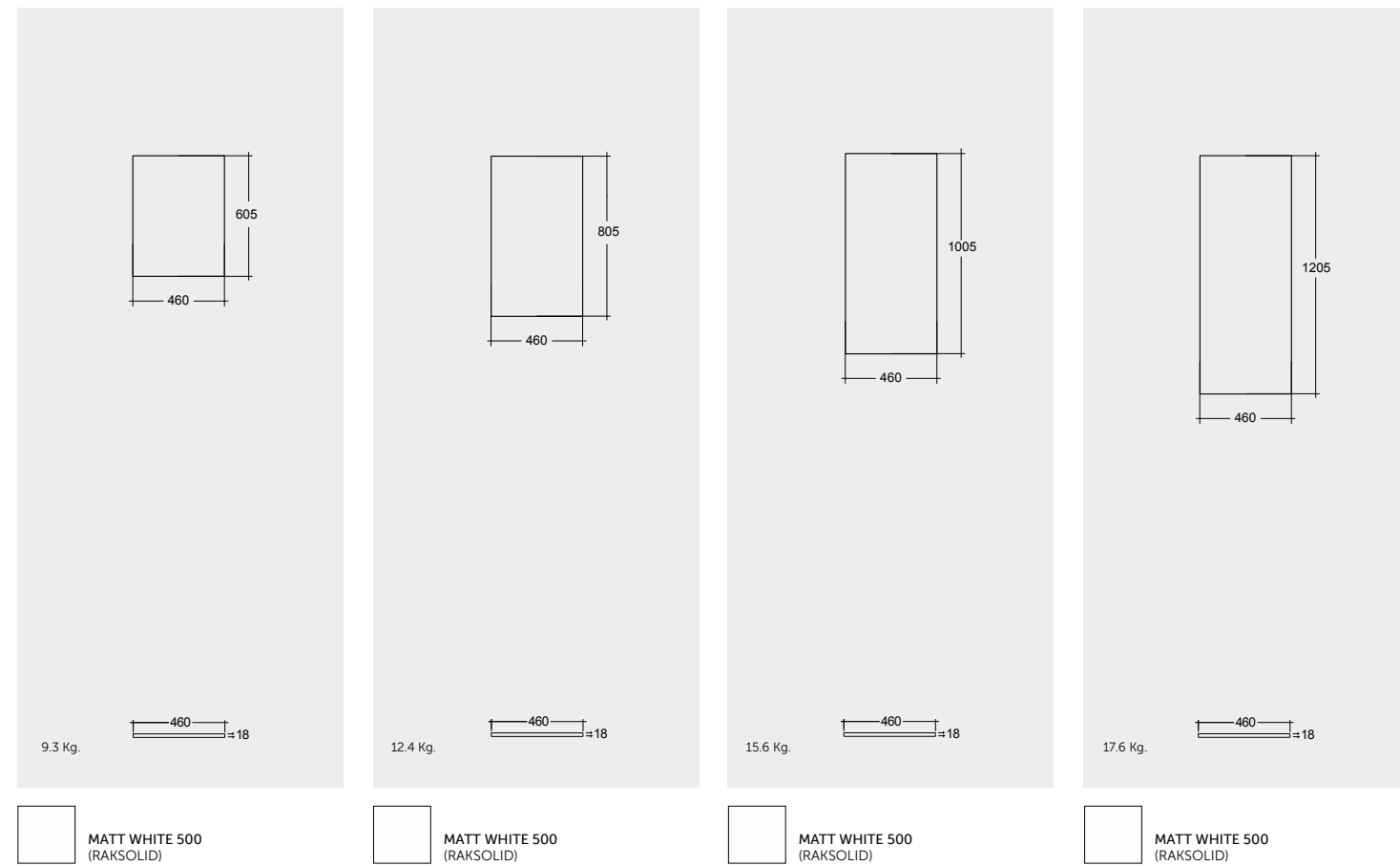
181 CM  
PLASL18146500

Counter Top Slab 201 CM + Bowl

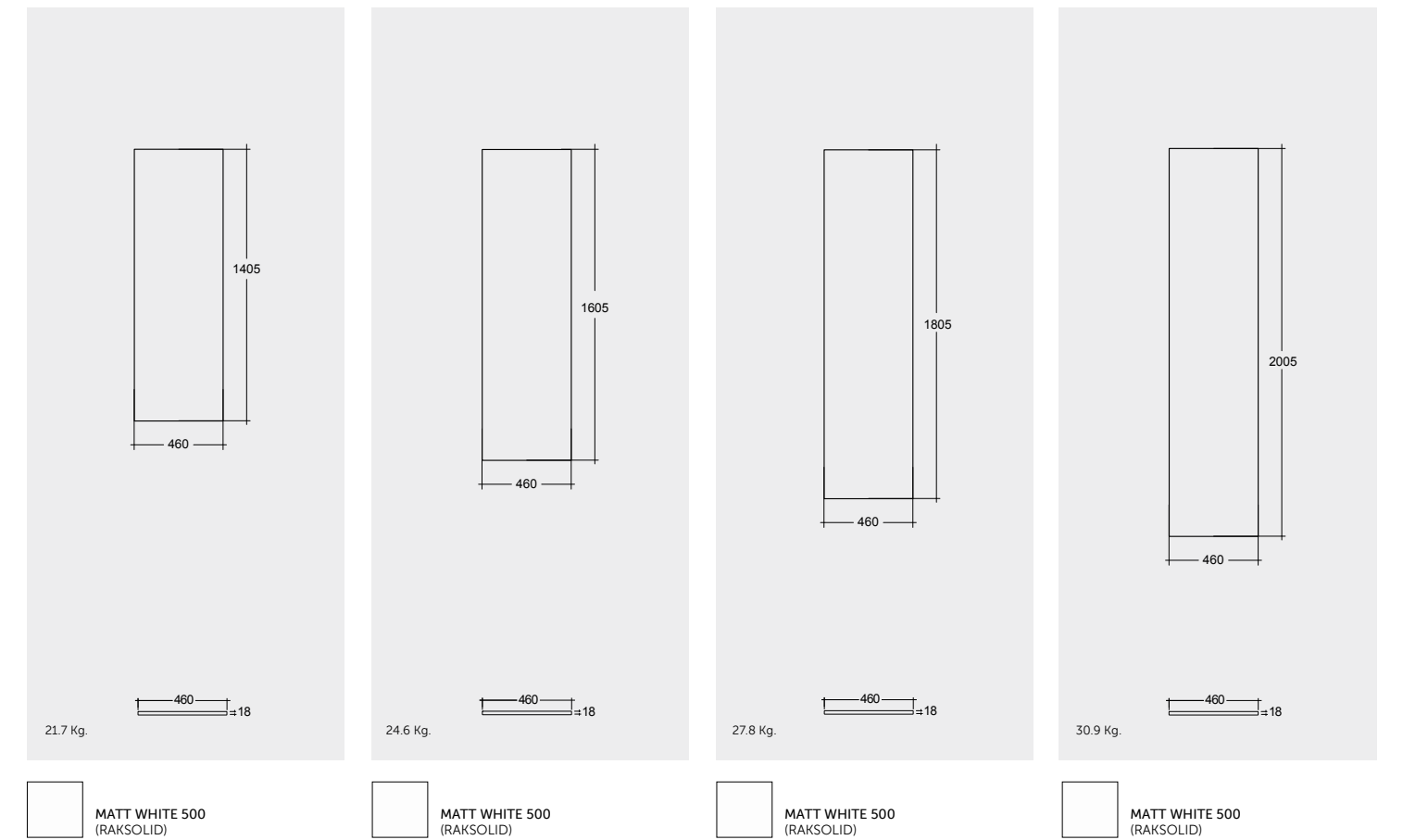


201 CM  
PLASL20146500

Measurements | Misure | Dimensions | Abmessungen | Размеры



Measurements | Misure | Dimensions | Abmessungen | Размеры



Note | Nota | Remarque | Hinweis | Примечание

All dimensions in mm tolerance  $\pm 5\%$  for below 200mm and  $\pm 3\%$  for above 200mm | Tutte le dimensioni hanno una tolleranza di  $\pm 5\%$  mm al di sotto dei 200mm e di  $\pm 3\%$  mm al disopra dei 200mm | Toutes les dimensions en mm tolérance  $\pm 5\%$  pour moins de 200mm et  $\pm 3\%$  pour plus de 200mm/ Alle Abmessungen in mm, Toleranz  $\pm 5\%$  für unter 200mm, und  $\pm 3\%$  für über 200mm | Все размеры указаны в мм, погрешность  $\pm 5\%$  ниже 200 мм и  $\pm 3\%$  выше 200 мм

# RAK-PLANO SURFACES IN TECHWOOD

Counter Top Slab 61 CM + Bowl



61 CM  
PLASL06146SOK

Counter Top Slab 81 CM + Bowl



81 CM  
PLASL08146SOK

Counter Top Slab 101 CM + Bowl



101 CM  
PLASL10146SOK

Counter Top Slab 121 CM + Bowl



121 CM  
PLASL12146SOK

Counter Top Slab 141 CM + Bowl



141 CM  
PLASL14146SOK

Counter Top Slab 161 CM + Bowl



161 CM  
PLASL16146SOK

Counter Top Slab 181 CM + Bowl



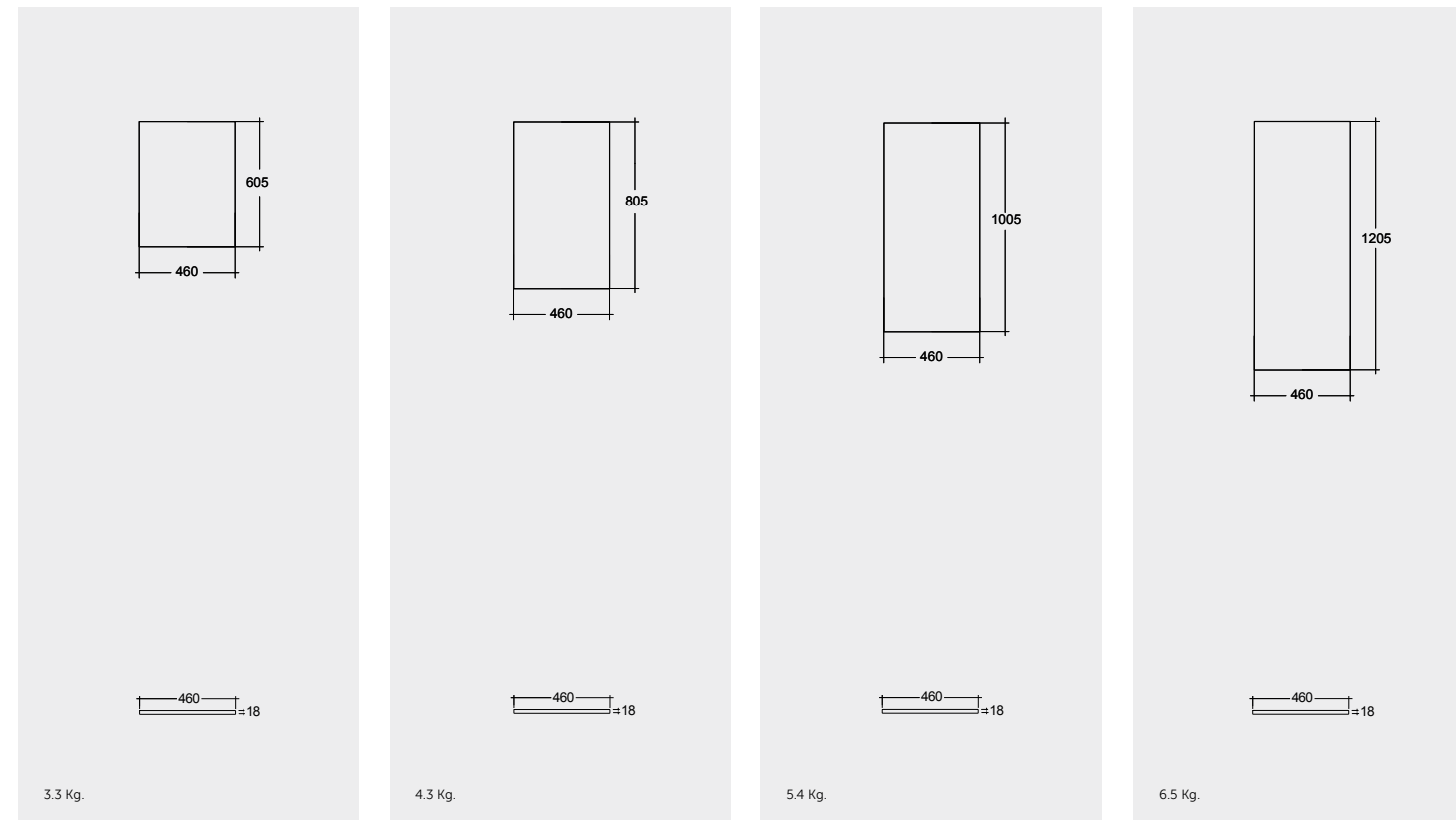
181 CM  
PLASL18146SOK

Counter Top Slab 201 CM + Bowl



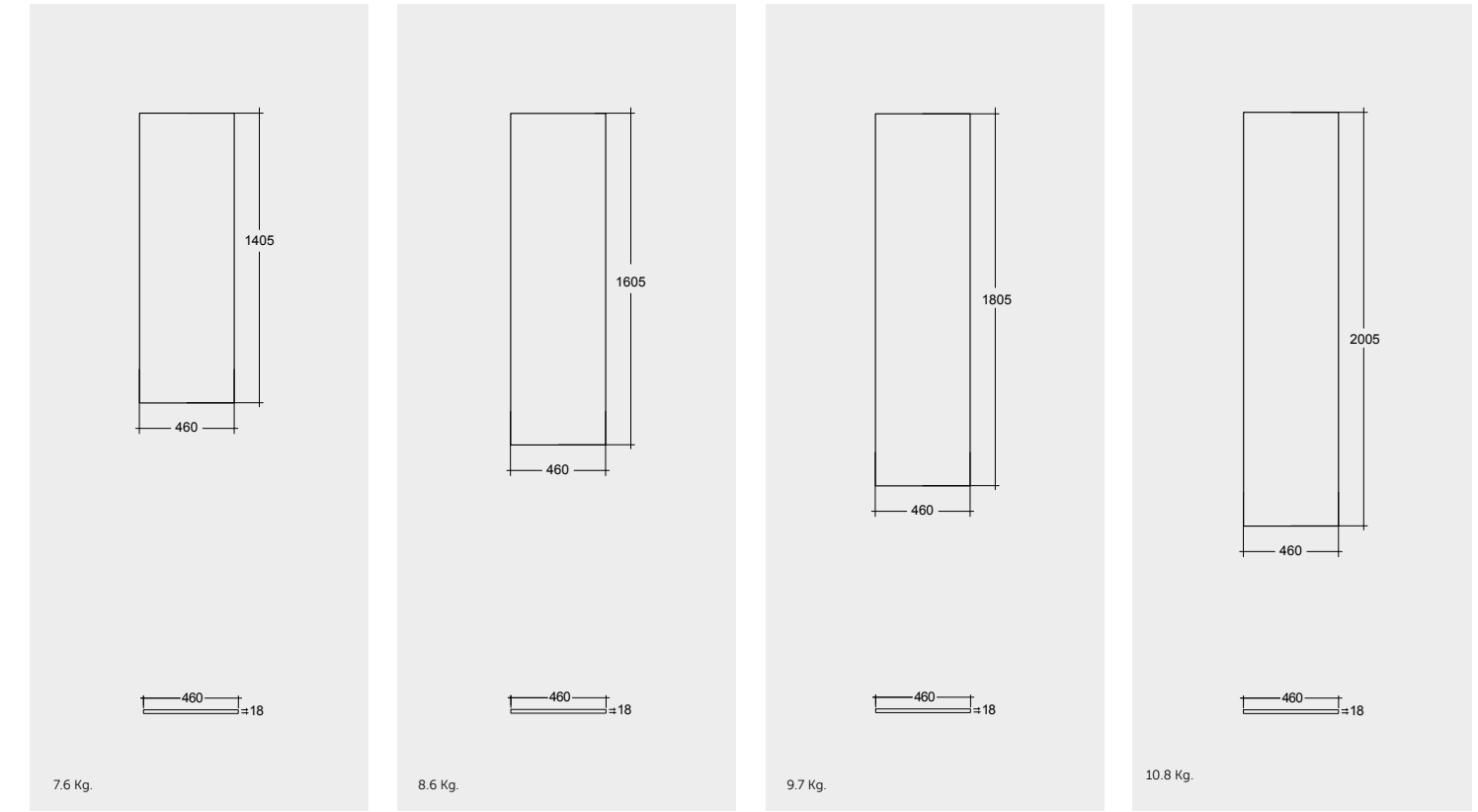
201 CM  
PLASL20146SOK

Measurements | Misure | Dimensions | Abmessungen | Размеры



- SCANDINAVIAN OAK (TECHWOOD)
- GREY ELM (TECHWOOD)
- MOKA WALNUT (TECHWOOD)

Measurements | Misure | Dimensions | Abmessungen | Размеры



- SCANDINAVIAN OAK (TECHWOOD)
- GREY ELM (TECHWOOD)
- MOKA WALNUT (TECHWOOD)





# CUSTOMIZATION

PERSONALIZZAZIONE | PERSONNALISATION | personalización | PERSONALISIERUNG | ПЕРСОНАЛИЗАЦИЯ

RAK-Plano surfaces made of RAKSOLID, are easy to cut and drill during the installation. The cut can easily be carried out on site by the installer, with common wood tools. RAK-Plano gives you the possibility to install the washbasin and the faucets in your favorite position and offers you the chance to change your mind onsite (before drilling) and to revise your project if needed.

Le superfici RAK-Plano in RAKSOLID sono facili da tagliare e forare durante l'installazione. Il taglio può essere facilmente eseguito in loco dall'installatore, con comuni attrezzi per il taglio del legno. RAK-Plano ti dà la possibilità di installare il lavabo e la rubinetteria nella tua posizione preferita e ti offre la possibilità di cambiare idea in loco (prima di forare) e di rivedere il tuo progetto se necessario.

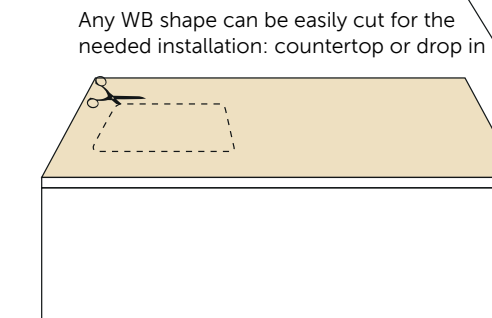
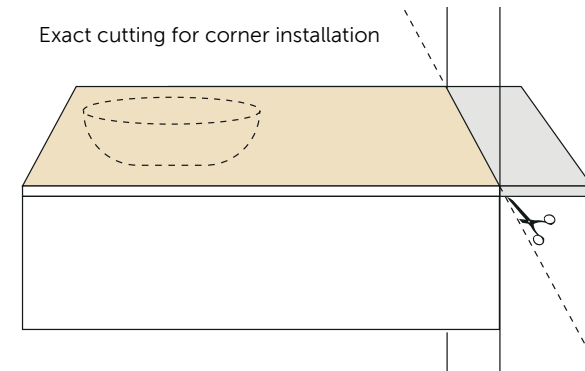
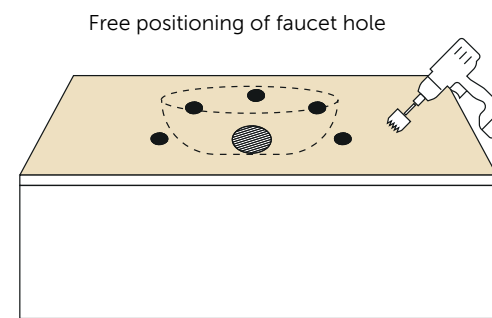
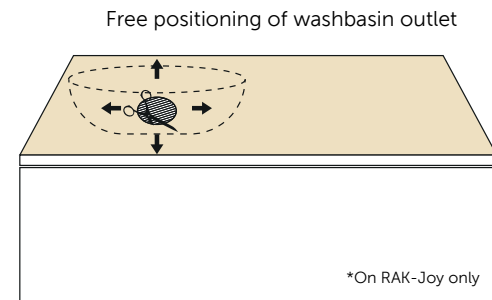
Les plans RAK-Plano en RAKSOLID, sont faciles à découper et à percer pendant l'installation. La découpe peut facilement être effectuée sur place par l'installateur, avec des outils à bois courants. RAK-Plano vous donne la possibilité d'installer le lavabo et les robinets dans votre position préférée et vous offre la possibilité de changer d'avis sur place (avant le perçage) et de revoir votre projet si nécessaire.

RAK-Plano-Oberflächen aus RAKSOLID lassen sich während der Installation leicht schneiden und bohren. Der Schnitt kann vom Installateur problemlos vor Ort mit herkömmlichen Holzwerkzeugen durchgeführt werden. RAK-Plano bietet Ihnen die Möglichkeit, das Waschbecken und die Wasserhähne an Ihrer bevorzugten Position zu installieren, und Ihre Meinung vor Ort (vor dem Bohren) zu ändern und Ihr Projekt bei Bedarf zu überarbeiten.

Поверхности RAK-Plano, изготовленные из RAKSOLID, легко режутся и сверлятся во время установки. Распил может быть легко выполнен установщиком на месте с помощью обычных деревянных инструментов. RAK-Plano дает вам возможность установить умывальник и смесители в удобном для вас месте и позволяет вам передумать на месте (перед сверлением) и при необходимости изменить проект.

## Some examples of customization

Alcuni esempi di personalizzazione  
 Quelques exemples de personnalisation  
 algunos ejemplos de personalización  
 Einige Beispiele für Personalisierungen  
 ПРИМЕРЫ ПЕРСОНАЛИЗАЦИИ





55 CM FEECT5500AWHA 55 CM Matt Finish FEECT5500500A 55 CM FEECT5500505A 55 CM FEECT5500514A 55 CM FEECT5500503A 55 CM FEECT5500504A



50 CM FEECT5000AWHA 50 CM Matt Finish FEECT5000500A 50 CM FEECT5000505A 50 CM FEECT5000514A 50 CM FEECT5000503A 50 CM FEECT5000504A



42 CM FEECT4200AWHA 42 CM Matt Finish FEECT4200500A 42 CM FEECT4200505A 42 CM FEECT4200514A 42 CM FEECT5000503A 42 CM FEECT4200504A



58 CM CLOCT6000AWHA 58 CM Matt Finish CLOCT6000500A 70 CM DESCT7000AWHA 60 CM ILLCT6000AWHA 60 CM SENCCT6000AWHA 54 CM MORCT5400AWHA



65 CM CLOWB6501AWHA 65 CM Matt Finish CLOWB6501500A 55 CM CLOWB5501AWHA 55 CM Matt Finish CLOWB5501500A 65 CM ILLWB6501AWHA 60 CM ILLWB6001AWHA



55 CM ILLWB5501AWHA 50 CM ILLWB5001AWHA 65 CM SENWB6501AWHA 60 CM SENWB6001AWHA 55 CM SENWB5501AWHA 50 CM SENWB5001AWHA



36X36 CM VARDI13600AWHA 50X36 CM VARDI25000AWHA 60X36 CM VARDI36000AWHA 36X36 CM VARDI43600AWHA 55X36 CM VARDI55500AWHA



36X36 CM VARCT13600AWHA 50X36 CM VARCT25000AWHA 60X36 CM VARCT36000AWHA 36X36 CM VARCT43600AWHA 55X36 CM VARCT55500AWHA



42X42 CM VARDI14201AWHA 50X42 CM VARDI25001AWHA 60X42 CM VARDI36001AWHA 42X42 CM VARDI44201AWHA 55X42 CM VARDI55501AWHA



42X42 CM VARCT14201AWHA 50X42 CM VARCT25001AWHA 60X42 CM VARCT36001AWHA 42X42 CM VARCT44201AWHA 55X42 CM VARCT55501AWHA



38 CM OC160AWHA 45 CM OC137AWHA 42 CM OC72AWHA 39 CM OC161AWHA

## WASHBASINS SUITABLE FOR RAK-PLANO





# RAK-PRECIOUS SURFACES



With richer finishes, RAK-Precious provides a luxurious alternative to the functional ceramic white. Combining collections for floors, walls, bathroom furnishings and accessories, RAK-Precious offers complete solutions, enabling you to create your own personal idea of harmony.

RAK-DESIGN | EST. 2022



PRECIOUS SOLUTIONS FOR YOUR BATHROOM

PEZIOSE SOLUZIONI PER IL TUO BAGNO | SOLUTIONS PRÉCIEUSES POUR VOTRE SALLE DE BAINS | HOCHWERTIGE LÖSUNGEN FÜR IHR BADEZIMMER | БЕСЦЕННОЕ РЕШЕНИЕ ДЛЯ ВАШЕЙ ВАННОЙ КОМНАТЫ



RAK-Precious washbasins

FOR MORE DETAILS PLEASE GO TO PAGE: 350 (GLOBAL CATALOGUE)



RAK-Precious washbasins

FOR MORE DETAILS PLEASE GO TO PAGE: 352 (GLOBAL CATALOGUE)



Counter top washbasins



RAK-Precious counter top surfaces

100 CARRARA (LAPPATO)

101 MACAUBAS (NATURAL)

102 TRAVERTINO IVORY (LAPPATO)

103 SURFACE XL COOL GREY (NATURAL)

104 BEHIND GREY CERAMICS | 2022 (NATURAL)

105 UNI DARK BLACK (NATURAL)

# RAK-PRECIOUS SURFACES CUT TYPE A

Counter Top Slab 63 CM + Bowl



63 CM  
PRESL06347102A

Counter Top Slab 83 CM + Bowl



83 CM  
PRESL08347102A

Counter Top Slab 103 CM + Bowl



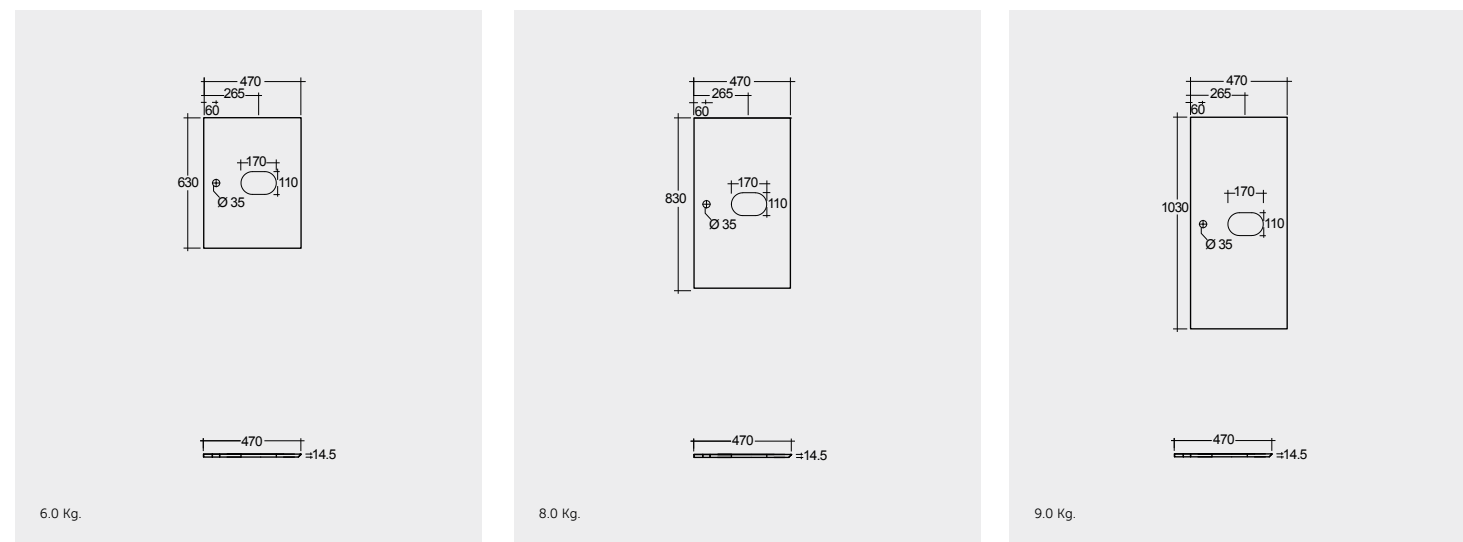
103 CM  
PRESL10347102A

Counter Top Slab 123 CM + Bowl



123 CM  
PRESL12347102A

Measurements | Misure | Dimensions | Abmessungen | Размеры



	100 CARRARA (LAPPATO)		100 CARRARA (LAPPATO)		100 CARRARA (LAPPATO)
	101 MACAUBAS (NATURAL)		101 MACAUBAS (NATURAL)		101 MACAUBAS (NATURAL)
	102 TRAVERTINO IVORY (LAPPATO)		102 TRAVERTINO IVORY (LAPPATO)		102 TRAVERTINO IVORY (LAPPATO)
	103 SURFACE XL COOL GREY (NATURAL)		103 SURFACE XL COOL GREY (NATURAL)		103 SURFACE XL COOL GREY (NATURAL)
	104 BEHIND GREY (NATURAL)		104 BEHIND GREY (NATURAL)		104 BEHIND GREY (NATURAL)
	105 UNI DARK BLACK (NATURAL)		105 UNI DARK BLACK (NATURAL)		105 UNI DARK BLACK (NATURAL)

Note | Nota | Remarque | Hinweis | Примечание

All dimensions in mm tolerance  $\pm 5\%$  for below 200mm and  $\pm 3\%$  for above 200mm | Tutte le dimensioni hanno una tolleranza di  $\pm 5\%$  mm al di sotto dei 200mm e di  $\pm 3\%$  mm al di sopra dei 200mm | Toutes les dimensions en mm tolérance  $\pm 5\%$  pour moins de 200mm et  $\pm 3\%$  pour plus de 200mm/ Alle Abmessungen in mm, Toleranz  $\pm 5\%$  für unter 200mm, und  $\pm 3\%$  für über 200mm | Все размеры указаны в мм, погрешность  $\pm 5\%$  ниже 200 мм и  $\pm 3\%$  выше 200 мм

Counter top wash basin suitable for RAK-Precious Counter top solution.

Lavabi d' appoggio disponibili per RAK-Precious  
Vasque à poser disponible pour RAK-Precious  
Aufsatzwaschbecken verfügbar für RAK-Precious  
Накладная Раковина Доступна Для Настольного Решения Rak-Precious.



58 CM CLOCT6000AWHA  
58 CM CLOCT6000500A  
70 CM DESCT7000AWHA  
AWH  
500 Matt Finish



60 CM SENCT6000AWHA  
55 CM FEECT5500AWHA  
50 CM FEECT5000AWHA  
AWH 500 505  
514 503 504



60 CM ILLCT6000AWHA  
36X36 CM VARCT13600AWHA  
50X36 CM VARCT25000AWHA



60X36 CM VARCT36000AWHA  
36X36 CM VARCT43600AWHA  
55X36 CM VARCT55000AWHA



# RAK-PRECIOUS SURFACES CUT TYPE A

Counter Top Slab 163 CM + Bowl



163 CM  
PRESL16347102A

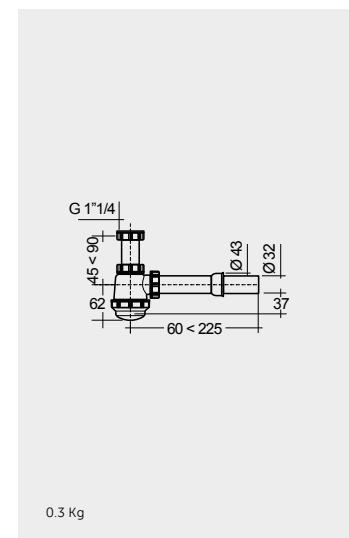
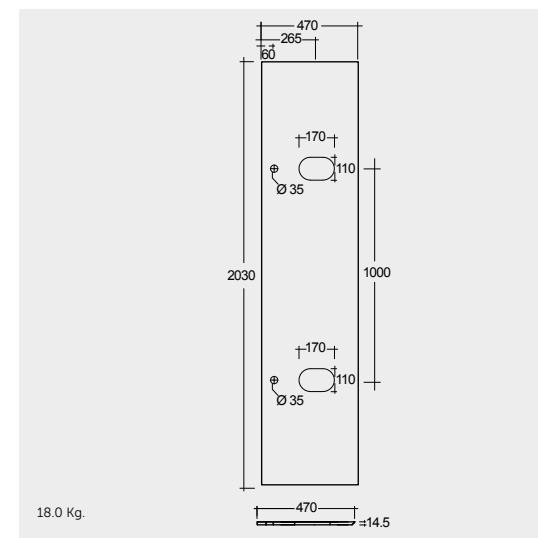
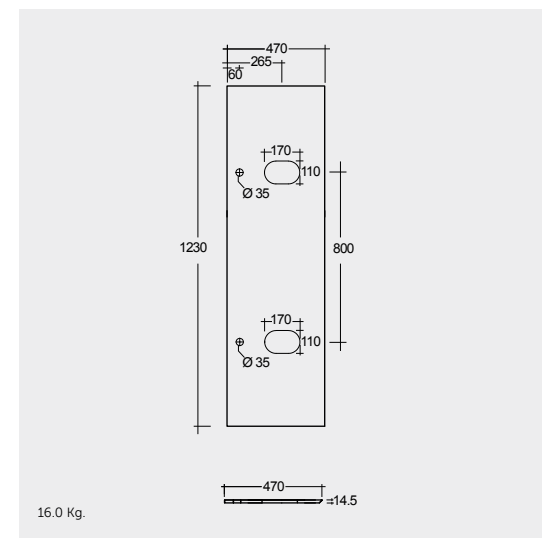
Counter Top Slab 203 CM + Bowl



203 CM  
PRESL20347102A



FOR VANITY  
PP WHITE : BTRWBPPR021  
Inspectionable Compact Height



- 100 CARRARA (LAPPATO)
- 101 MACAUBAS (NATURAL)
- 102 TRAVERTINO IVORY (LAPPATO)
- 103 SURFACE XL COOL GREY (NATURAL)
- 104 BEHIND GREY (NATURAL)
- 105 UNI DARK BLACK (NATURAL)

- 100 CARRARA (LAPPATO)
- 101 MACAUBAS (NATURAL)
- 102 TRAVERTINO IVORY (LAPPATO)
- 103 SURFACE XL COOL GREY (NATURAL)
- 104 BEHIND GREY (NATURAL)
- 105 UNI DARK BLACK (NATURAL)

Note | Nota | Remarque | Hinweis | Примечание

All dimensions in mm tolerance  $\pm 5\%$  for below 200mm and  $\pm 3\%$  for above 200mm | Tutte le dimensioni hanno una tolleranza di  $\pm 5\%$  mm al di sotto dei 200mm e di  $\pm 3\%$  mm al di sopra dei 200mm | Toutes les dimensions en mm tolérance  $\pm 5\%$  pour moins de 200mm et  $\pm 3\%$  pour plus de 200mm/ Alle Abmessungen in mm, Toleranz  $\pm 5\%$  für unter 200mm, und  $\pm 3\%$  für über 200mm | Все размеры указаны в мм, погрешность  $\pm 5\%$  ниже 200 мм и  $\pm 3\%$  выше 200 мм



# RAK-PRECIOUS SURFACES CUT TYPE C

Counter Top Slab 63 CM + Bowl



63 CM  
PRESL06347102C

Counter Top Slab 83 CM + Bowl



83 CM  
PRESL08347102C

Counter Top Slab 103 CM + Bowl



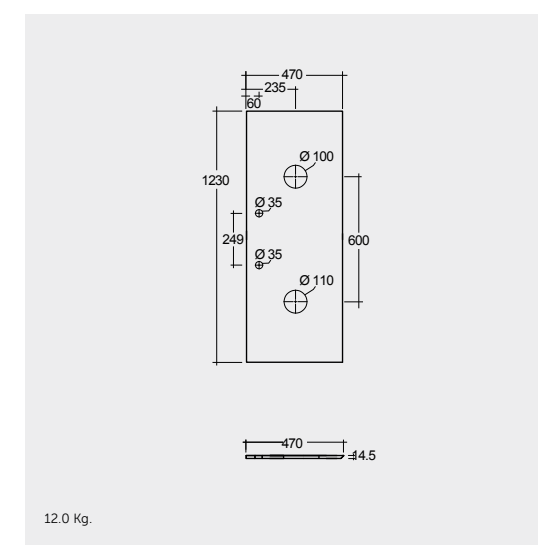
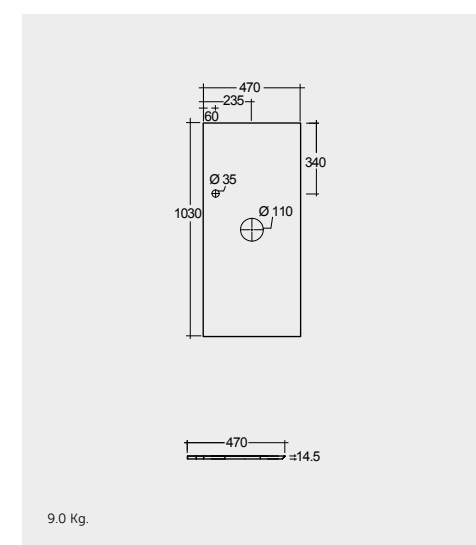
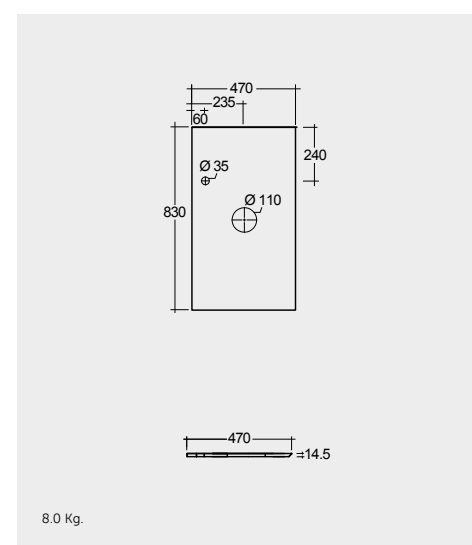
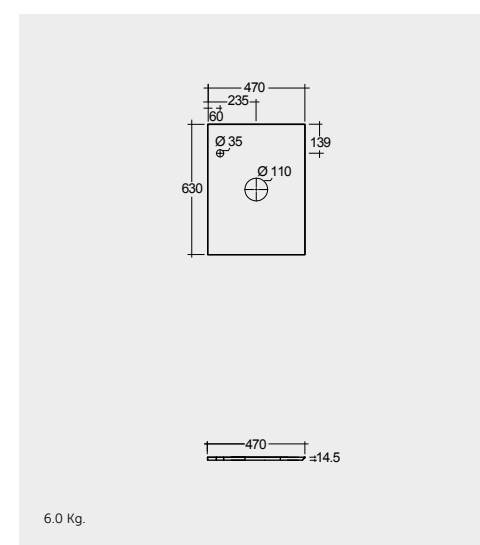
103 CM  
PRESL10347102C

Counter Top Slab 123 CM + Bowl



123 CM  
PRESL12347102C

Measurements | Misure | Dimensions | Abmessungen | Размеры



- 100 CARRARA (LAPPATO)
- 101 MACAUBAS (NATURAL)
- 102 TRAVERTINO IVORY (LAPPATO)
- 103 SURFACE XL COOL GREY (NATURAL)
- 104 BEHIND GREY (NATURAL)
- 105 UNI DARK BLACK (NATURAL)

- 100 CARRARA (LAPPATO)
- 101 MACAUBAS (NATURAL)
- 102 TRAVERTINO IVORY (LAPPATO)
- 103 SURFACE XL COOL GREY (NATURAL)
- 104 BEHIND GREY (NATURAL)
- 105 UNI DARK BLACK (NATURAL)

- 100 CARRARA (LAPPATO)
- 101 MACAUBAS (NATURAL)
- 102 TRAVERTINO IVORY (LAPPATO)
- 103 SURFACE XL COOL GREY (NATURAL)
- 104 BEHIND GREY (NATURAL)
- 105 UNI DARK BLACK (NATURAL)

- 100 CARRARA (LAPPATO)
- 101 MACAUBAS (NATURAL)
- 102 TRAVERTINO IVORY (LAPPATO)
- 103 SURFACE XL COOL GREY (NATURAL)
- 104 BEHIND GREY (NATURAL)
- 105 UNI DARK BLACK (NATURAL)

Note | Nota | Remarque | Hinweis | Примечание

All dimensions in mm tolerance  $\pm 5\%$  for below 200mm and  $\pm 3\%$  for above 200mm | Tutte le dimensioni hanno una tolleranza di  $\pm 5\%$  mm al di sotto dei 200mm e di  $\pm 3\%$  mm al di sopra dei 200mm | Toutes les dimensions en mm tolérance  $\pm 5\%$  pour moins de 200mm et  $\pm 3\%$  pour plus de 200mm/ Alle Abmessungen in mm, Toleranz  $\pm 5\%$  für unter 200mm, und  $\pm 3\%$  für über 200mm | Все размеры указаны в мм, погрешность  $\pm 5\%$  ниже 200 мм и  $\pm 3\%$  выше 200 мм

Counter top wash basin suitable for RAK-Precious Counter top solution.

Lavabi d' appoggio disponibili per RAK-Precious  
Vasque à poser disponible pour RAK-Precious  
Aufsatzwaschbecken verfügbar für RAK-Precious  
Накладная Раковина Доступна Для Настольного Решения Rak-Precious.

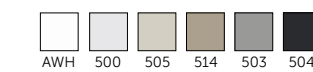


42 CM  
FEECT4200AWHA



38 CM  
LADA00001

Round



45 CM  
LADI00001



39 CM  
LARE00001



# RAK-PRECIOUS SURFACES CUT TYPE C

Counter Top Slab 163 CM + Bowl



163 CM  
PRESL16347102C

Counter Top Slab 203 CM + Bowl

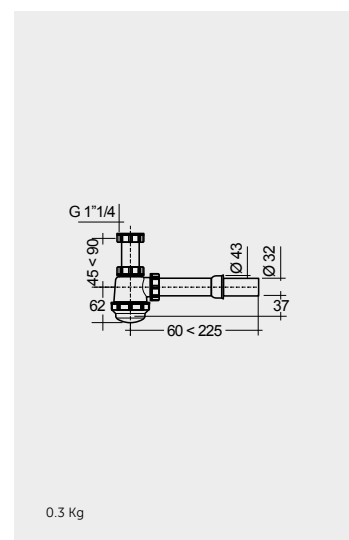
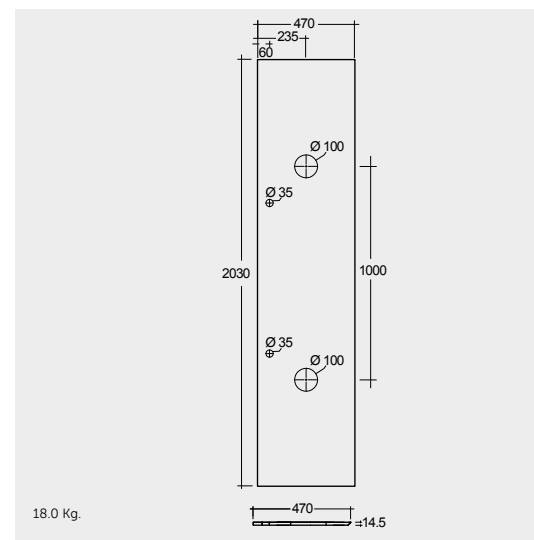
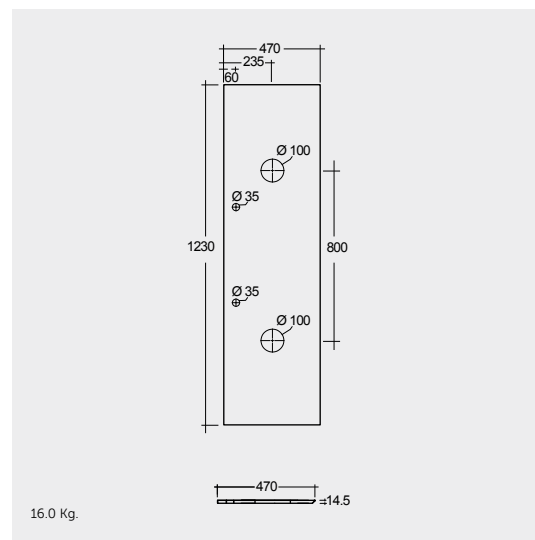


203 CM  
PRESL20347102C



FOR VANITY  
PP WHITE : BTRWBPPR021  
Inspectionable Compact Height

Measurements | Misure | Dimensions | Abmessungen | Размеры



- 100 CARRARA (LAPPATO)
- 101 MACAUBAS (NATURAL)
- 102 TRAVERTINO IVORY (LAPPATO)
- 103 SURFACE XL COOL GREY (NATURAL)
- 104 BEHIND GREY (NATURAL)
- 105 UNI DARK BLACK (NATURAL)

- 100 CARRARA (LAPPATO)
- 101 MACAUBAS (NATURAL)
- 102 TRAVERTINO IVORY (LAPPATO)
- 103 SURFACE XL COOL GREY (NATURAL)
- 104 BEHIND GREY (NATURAL)
- 105 UNI DARK BLACK (NATURAL)

Note | Nota | Remarque | Hinweis | Примечание

All dimensions in mm tolerance  $\pm 5\%$  for below 200mm and  $\pm 3\%$  for above 200mm | Tutte le dimensioni hanno una tolleranza di  $\pm 5\%$  mm al di sotto dei 200mm e di  $\pm 3\%$  mm al di sopra dei 200mm | Toutes les dimensions en mm tolérance  $\pm 5\%$  pour moins de 200mm et  $\pm 3\%$  pour plus de 200mm/ Alle Abmessungen in mm, Toleranz  $\pm 5\%$  für unter 200mm, und  $\pm 3\%$  für über 200mm | Все размеры указаны в мм, погрешность  $\pm 5\%$  ниже 200 мм и  $\pm 3\%$  выше 200 мм

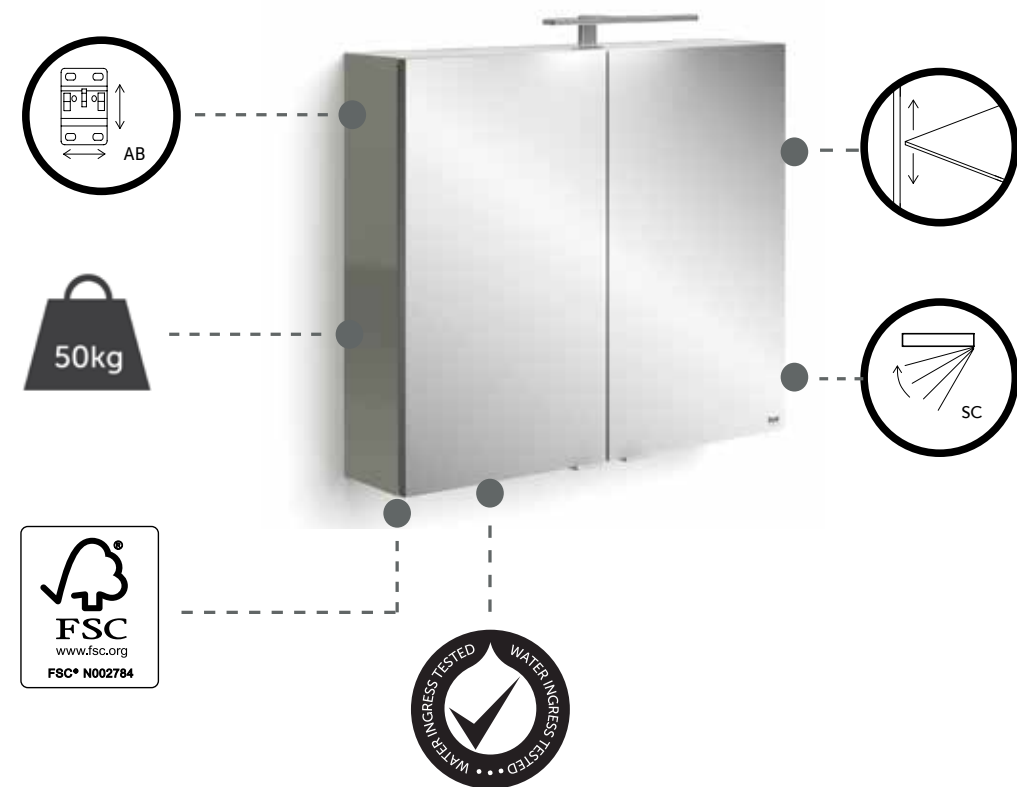
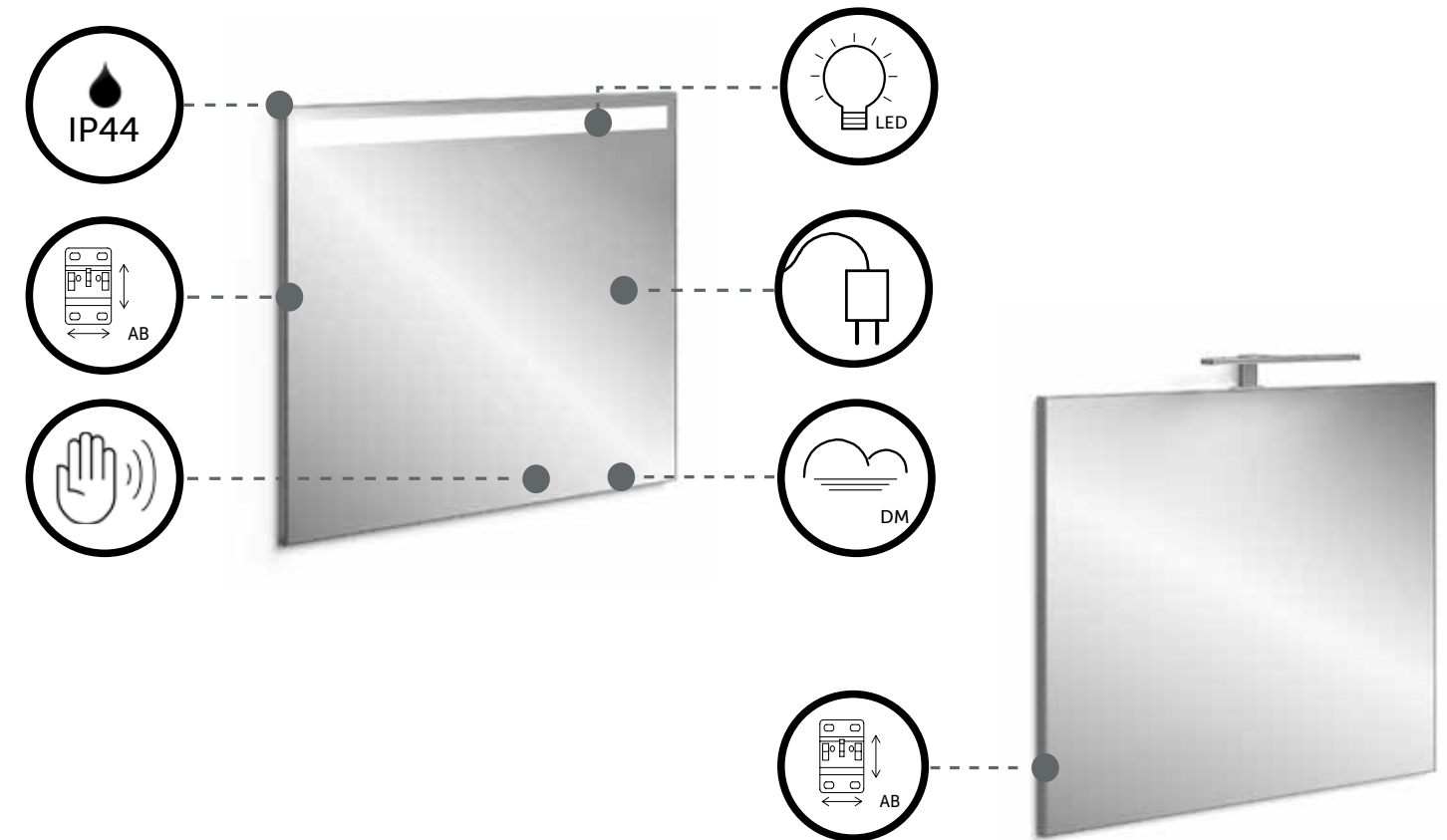
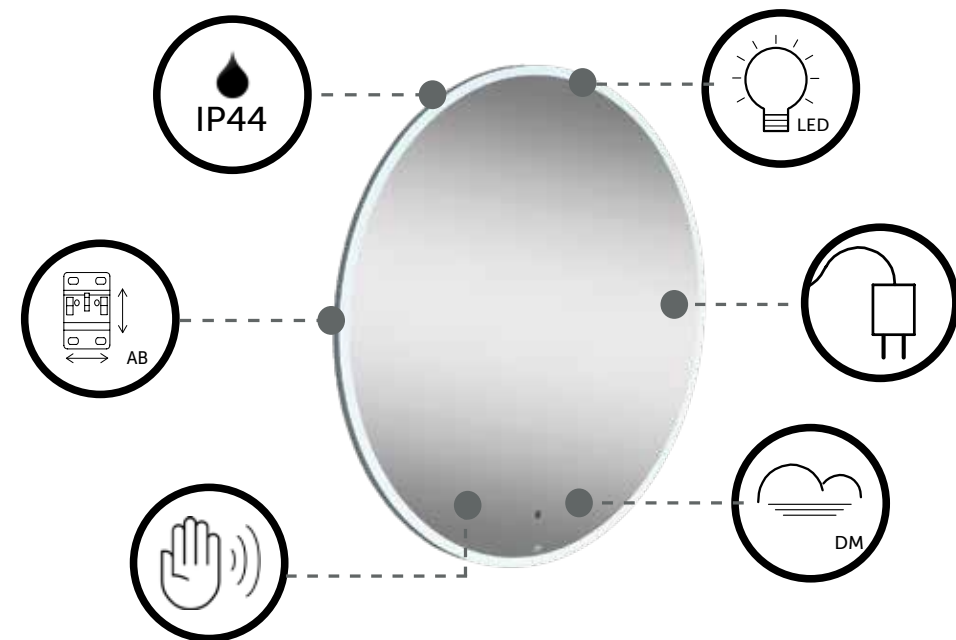






# MIRRORS

Specchi e specchi contenitivi | Mirrors et armoires toilette | Spiegel & Schränke | зеркала



**FSC® CERTIFICATION**  
WOODEN MATRERIALS ARE FSC CERTIFIED.  
I materiali in legno sono certificati FSC.  
Les matériaux en bois sont certifiés FSC.  
Die Holzmaterialien sind FSC-zertifiziert.  
Древесные материалы, сертифицированные FSC.



**WATER RESISTANT**  
Resistente all'acqua  
Imperméable  
Wasserdicht  
Водонепроницаемость



**WITHSTANDING HEAVY LOADS 50KG**  
Supporta carichi pesanti 50kg  
Résistant les charges lourdes 50kg  
Widersteht starker beanspruchung 50kg  
Выдерживает большие нагрузки 50 кг



**WITHSTANDING HEAVY LOADS 150KG**  
Supporta carichi pesanti 150kg  
Résistant les charges lourdes 150kg  
Widersteht starker beanspruchung 150kg  
Выдерживает большие нагрузки 150 кг



**J-PULL FRONTALS**  
Frontali con maniglia integrata J-pull  
Prise de main J-pull  
J-Pull Frontals  
J-образный вырез на торце



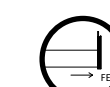
**MAINS POWERED**  
Alimentazione da rete  
Alimentation secteur  
Netz betrieben  
Питание от сети



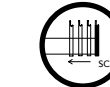
**DE-MISTER**  
Anti-appannamento  
Système antibuée  
Espejo Con Sistema Desempañador  
Entnebler  
Защита от запотевания



**TOUCHLESS ACTIVATION**  
Attivazione a sfioro  
Activation sans touche  
berührunglose Aktivierung  
Бесконтактная активация



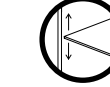
**FULL EXTRACTION DRAWERS**  
Cassetti ad estrazione completa  
Tiroirs d'extraction complets  
Voll auszug schubladen  
Полновыдвижные ящики



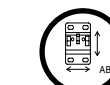
**SOFT CLOSE DRAWER RUNNERS**  
Guide a chiusura rallentata  
Coulisses avec système de fermeture progressive  
Läufer mit integrierter Dämpfung  
Плавное закрытие ящиков



**SOFT CLOSE HINGES**  
Cerniere a chiusura rallentata  
Charnières amorties  
Scharnier mit integrierter Dämpfung  
Плавно закрывающиеся петли



**ADJUSTABLE GLASS SHELIVING**  
Ripiani regolabili in vetro  
Étagère en verre réglable  
Verstellbare Glasregale  
Регулируемая стеклянная полка



**ADJUSTABLE BRACKETS**  
Fissaggi regolabili  
Supports réglables  
Uerstellbare Befestigungsbügel  
Регулируемые кронштейны



**LED LIGHT**  
LED Luce  
LED Lumière  
LED Licht  
Светодиодная (led) подсветка

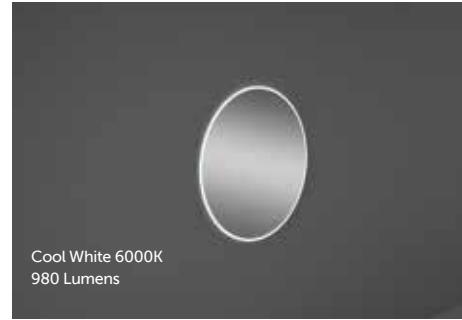


**USB RECHARGEABLE**  
Ricaricabile via USB  
USB rechargeable  
USB wiederaufladbar  
Заряжается через usb

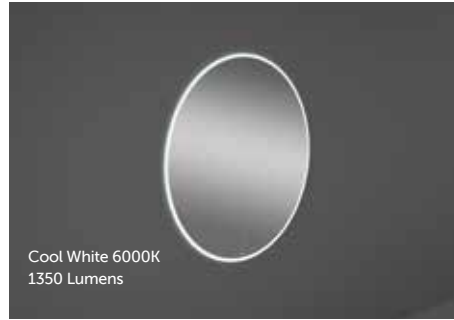


**IP44**  
IP44  
IP44  
IP44  
IP44

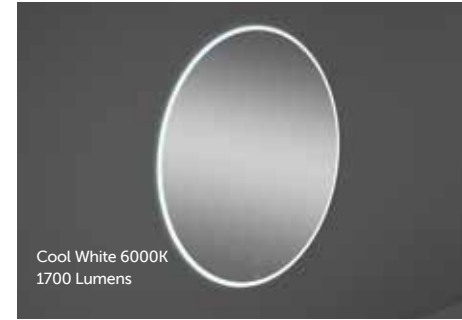
Models | Modelli | Modèles | Modelle | Модели



W 60 x D 3 x H 60CM  
JOYMR06000LED

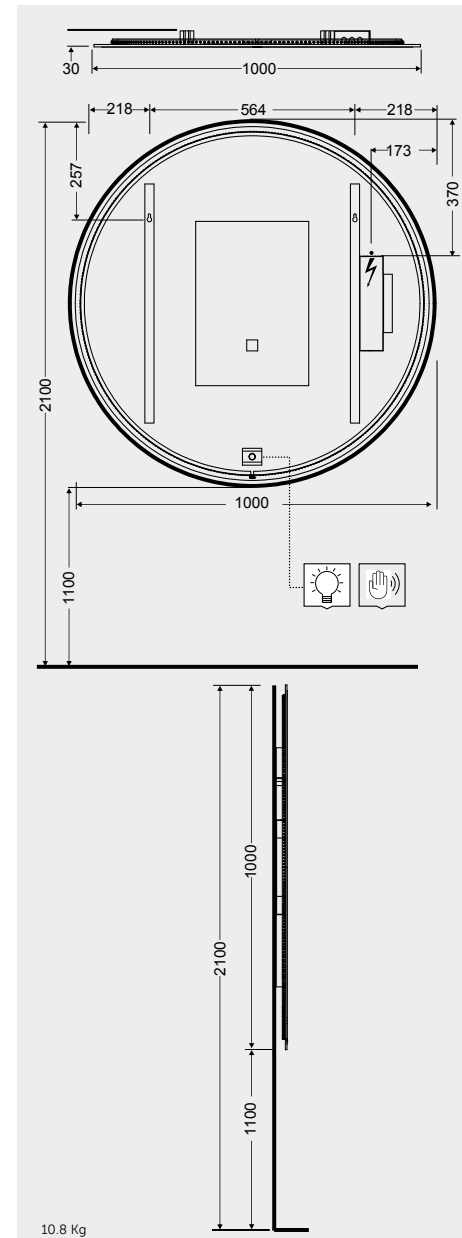
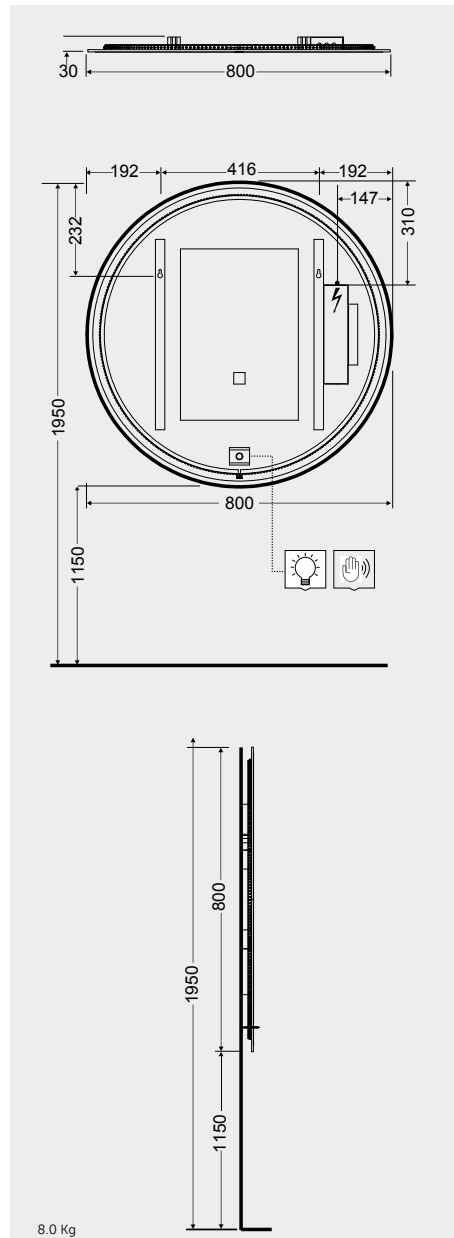
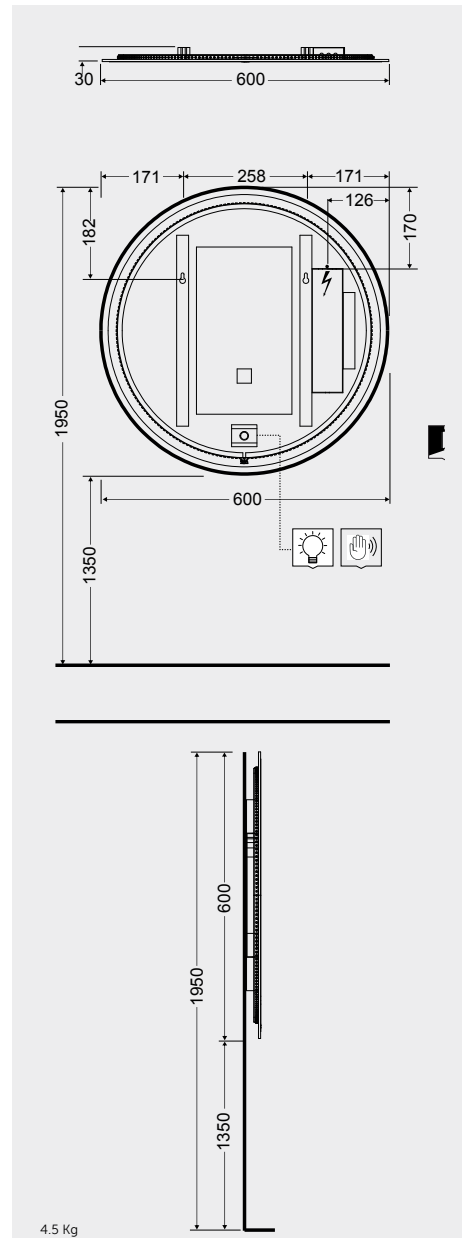


W 80 x D 3 x H 80CM  
JOYMR08000LED



W 100 x D 3 x H 100CM  
JOYMR10000LED

Measurements | Misure | Dimensions | Abmessungen | Размеры





MIRROR CABINETS | Specchi contenitivi | Mirrors armoires toilette | Spiegel Schränke | Зеркала шкафчики



W 40 x D 18 x H 68CM  
JOYMC04001

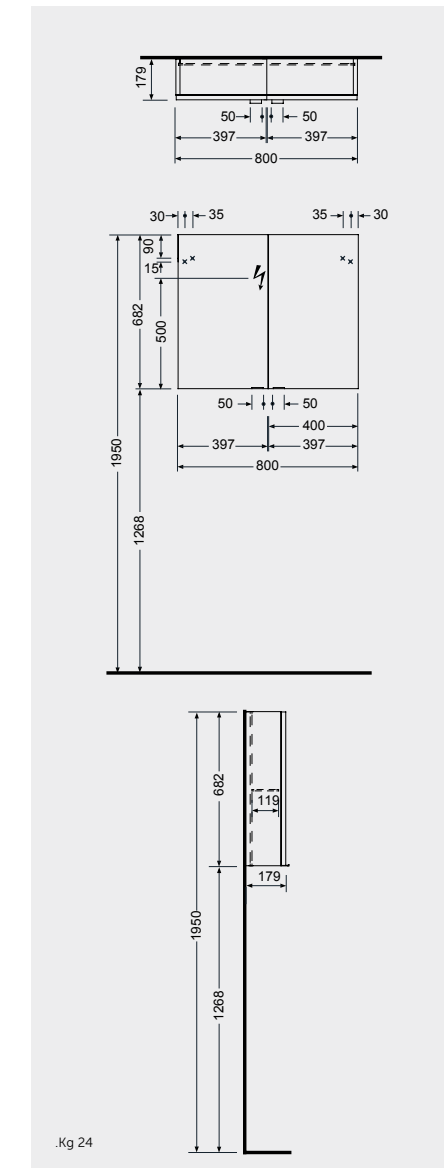
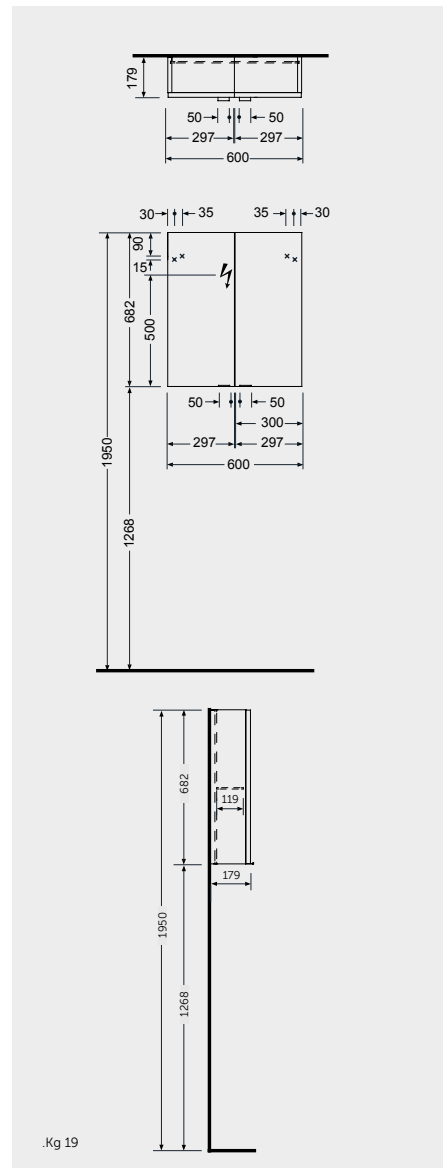
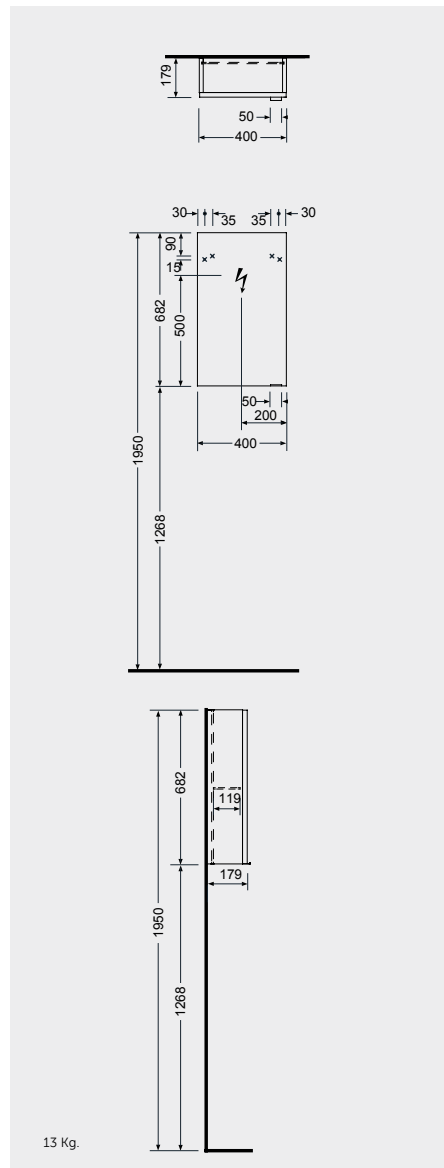


W 60 x D 18 x H 68CM  
JOYMC06002



W 80 x D 18 x H 68CM  
JOYMC08002

Measurements | Misure | Dimensions | Abmessungen | Размеры



Note | Nota | Remarque | Hinweis | Примечание

All dimensions in mm tolerance  $\pm 5\%$  for below 200mm and  $\pm 3\%$  for above 200mm | Tutte le dimensioni hanno una tolleranza di  $\pm 5\%$  mm al di sotto dei 200mm e di  $\pm 3\%$  mm al di sopra dei 200mm | Toutes les dimensions en mm tolérance  $\pm 5\%$  pour moins de 200mm et  $\pm 3\%$  pour plus de 200mm/ Alle Abmessungen in mm, Toleranz  $\pm 5\%$  für unter 200mm, und  $\pm 3\%$  für über 200mm | Все размеры указаны в мм, погрешность  $\pm 5\%$  ниже 200 мм и  $\pm 3\%$  выше 200 мм

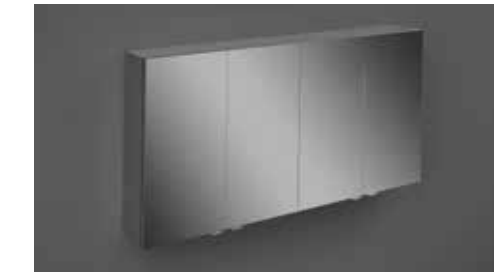
MIRROR CABINETS | Specchi contenitivi | Mirrors armoires toilette | Spiegel Schränke | Зеркала шкафчики



W 100 x D 18 x H 68CM  
JOYMC10003



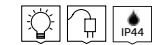
120CM = 2x W 60 x D 18 x H 68CM Cabinets  
JOYMC06002 x2



160CM = 2x W 80 x D 18 x H 68CM Cabinets  
JOYMC08002 x2



200CM = 2x W 100 x D 18 x H 68CM Cabinets  
JOYMC10003 x2



ABS: JOYTB6000CR1  
Cool White 6000K  
450 Lumens



JOYUSBRCCR  
Neutral White 4000K  
150 Lumens

MIRRORS | Specchi | Miroirs | Spiegel | Зеркала



W 40 x D 3 x H 68CM  
JOYMR04068STD

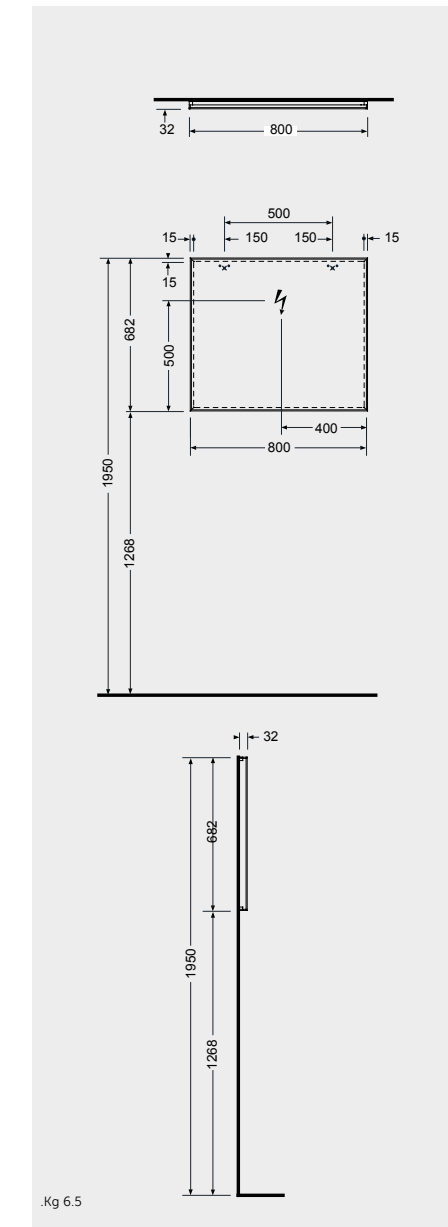
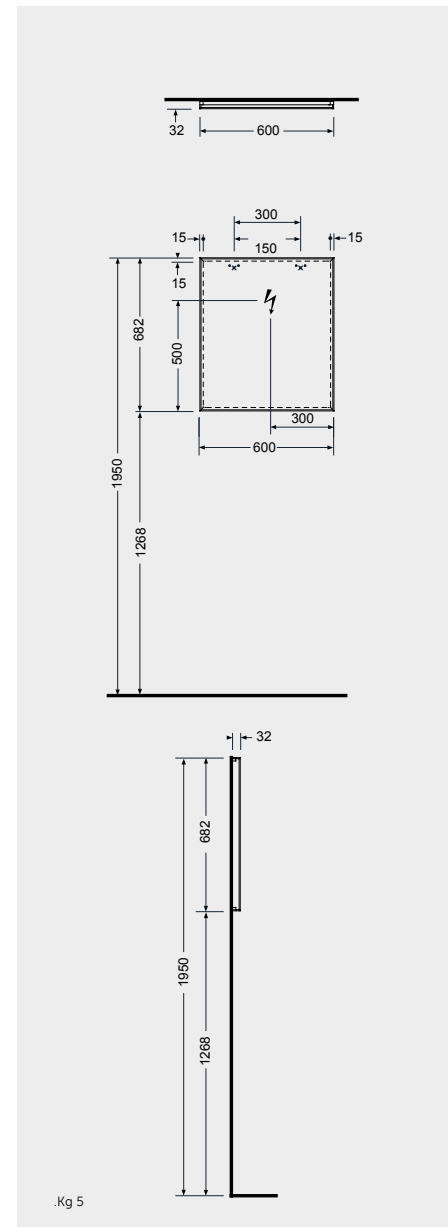
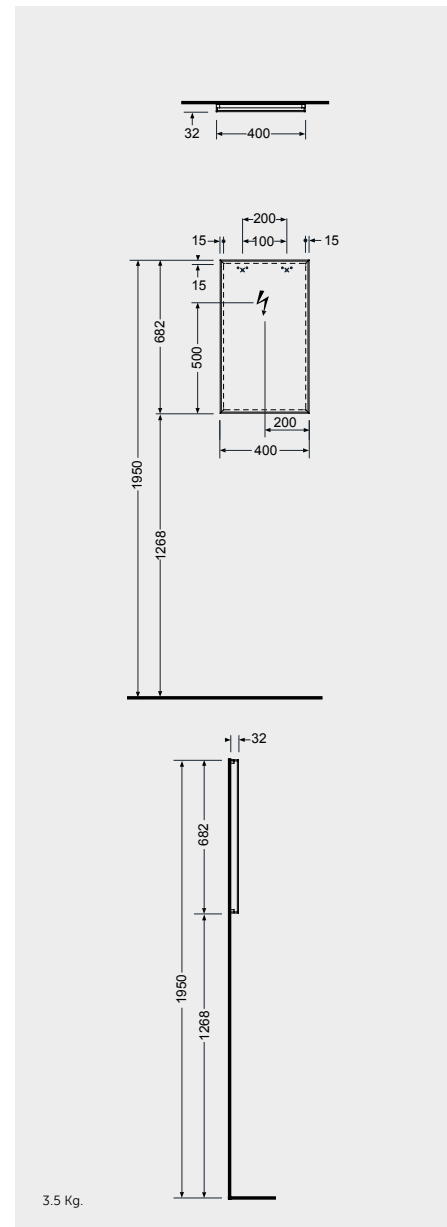


W 60 x D3 x H 68CM  
JOYMR06068STD



W 80 x D 3 x H 68CM  
JOYMR08068STD

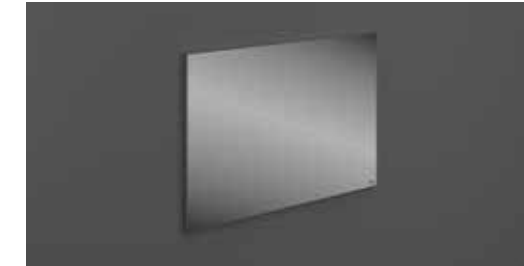
Measurements | Misure | Dimensions | Abmessungen | Размеры



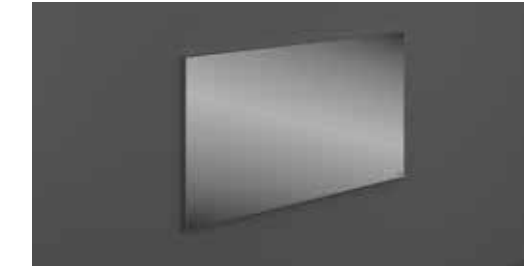
Note | Nota | Remarque | Hinweis | Примечание

All dimensions in mm tolerance  $\pm 5\%$  for below 200mm and  $\pm 3\%$  for above 200mm | Tutte le dimensioni hanno una tolleranza di  $\pm 5\%$  mm al di sotto dei 200mm e di  $\pm 3\%$  mm al di sopra dei 200mm | Toutes les dimensions en mm tolérance  $\pm 5\%$  pour moins de 200mm et  $\pm 3\%$  pour plus de 200mm/ Alle Abmessungen in mm, Toleranz  $\pm 5\%$  für unter 200mm, und  $\pm 3\%$  für über 200mm | Все размеры указаны в мм, погрешность  $\pm 5\%$  ниже 200 мм и  $\pm 3\%$  выше 200 мм

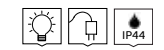
MIRRORS | Specchi | Miroirs | Spiegel | Зеркала



W 100 x D 3 x H 68CM  
JOYMR10068STD

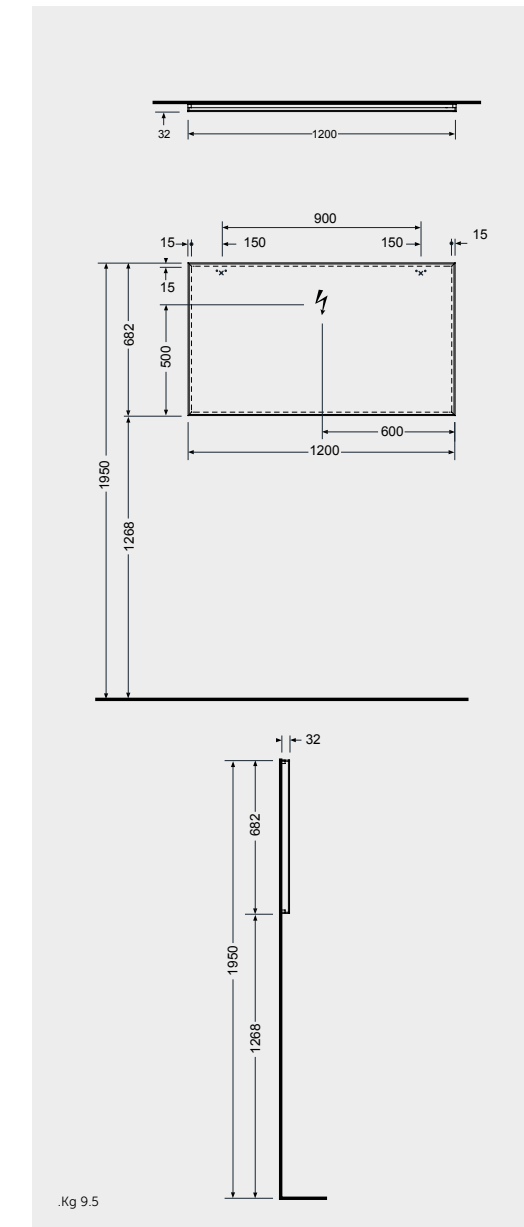
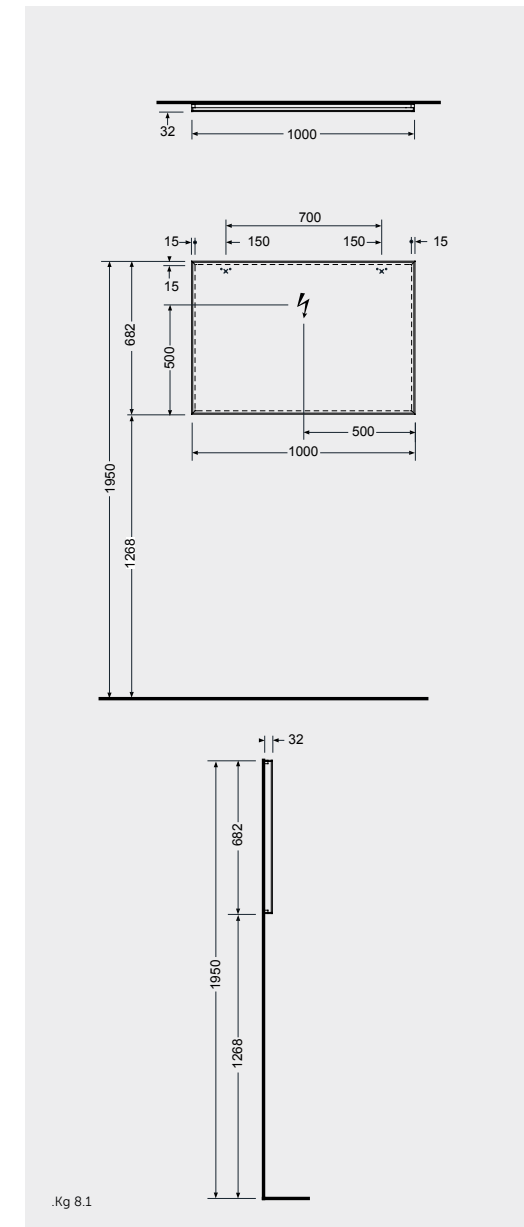


W 120 x D 3 x H 68CM  
JOYMR12068STD



ABS: JOYTB6000CR1  
Cool White 6000K  
450 Lumens

Measurements | Misure | Dimensions | Abmessungen | Размеры



MIRROR CABINETS | Specchi contenitivi | Miroirs armoires toilette | Spiegel Schränke | Зеркала шкафчики



W 40 x D 3 x H 68CM  
JOYMR04068LED

Cool White 6000K  
400 Lumens



W 60 x D 3 x H 68CM  
JOYMR06068LED

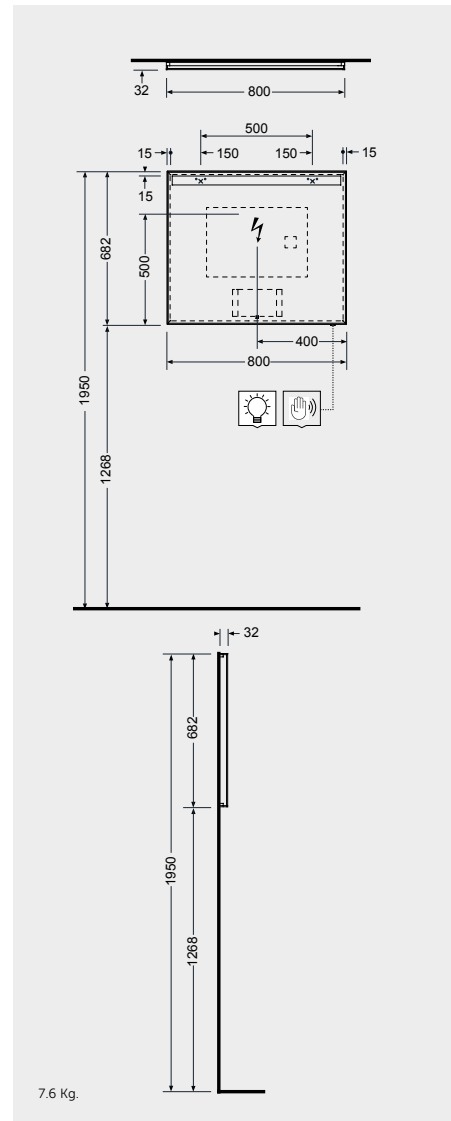
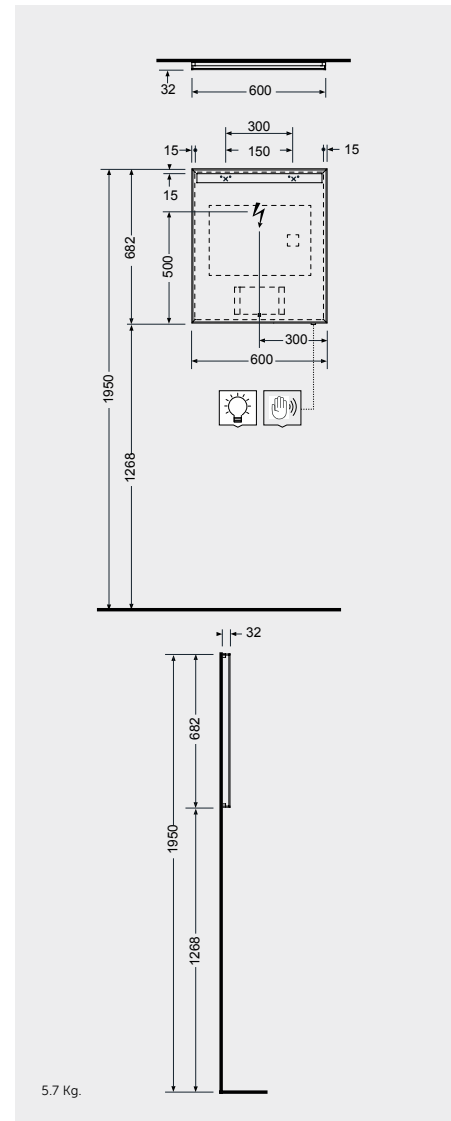
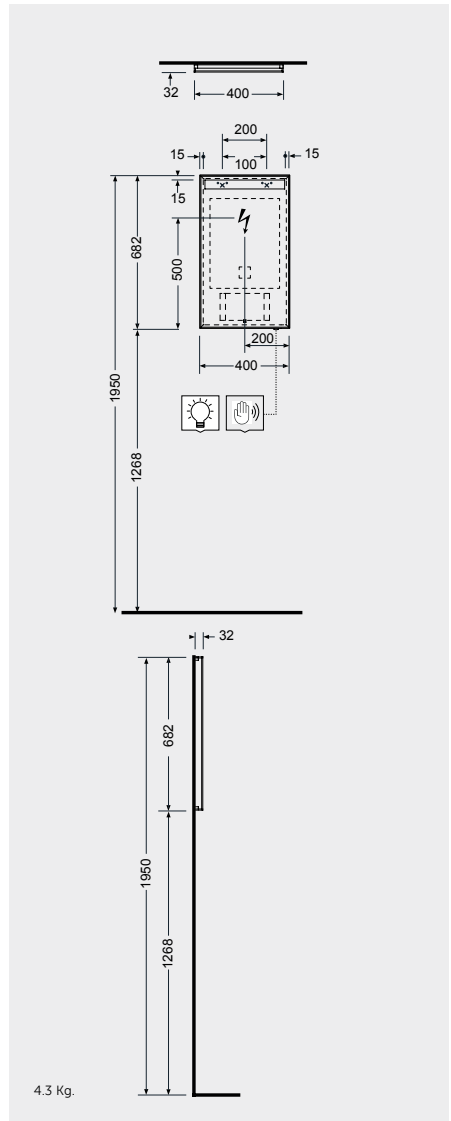
Cool White 6000K  
400 Lumens



W 80 x D 3 x H 68CM  
JOYMR08068LED

Cool White 6000K  
500 Lumens

Measurements | Misure | Dimensions | Abmessungen | Размеры



Note | Nota | Remarque | Hinweis | Примечание

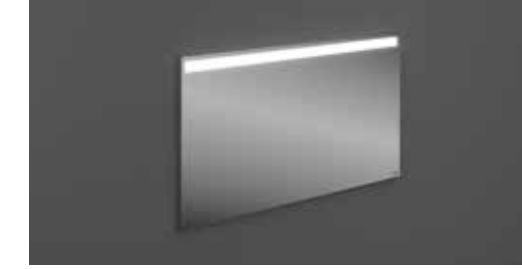
All dimensions in mm tolerance  $\pm 5\%$  for below 200mm and  $\pm 3\%$  for above 200mm | Tutte le dimensioni hanno una tolleranza di  $\pm 5\%$  mm al di sotto dei 200mm e di  $\pm 3\%$  mm al di sopra dei 200mm | Toutes les dimensions en mm tolérance  $\pm 5\%$  pour moins de 200mm et  $\pm 3\%$  pour plus de 200mm/ Alle Abmessungen in mm, Toleranz  $\pm 5\%$  für unter 200mm, und  $\pm 3\%$  für über 200mm | Все размеры указаны в мм, погрешность  $\pm 5\%$  ниже 200 мм и  $\pm 3\%$  выше 200 мм

MIRRORS | Specchi | Miroirs | Spiegel | Зеркала



W 100 x D 3 x H 68CM  
JOYMR10068LED

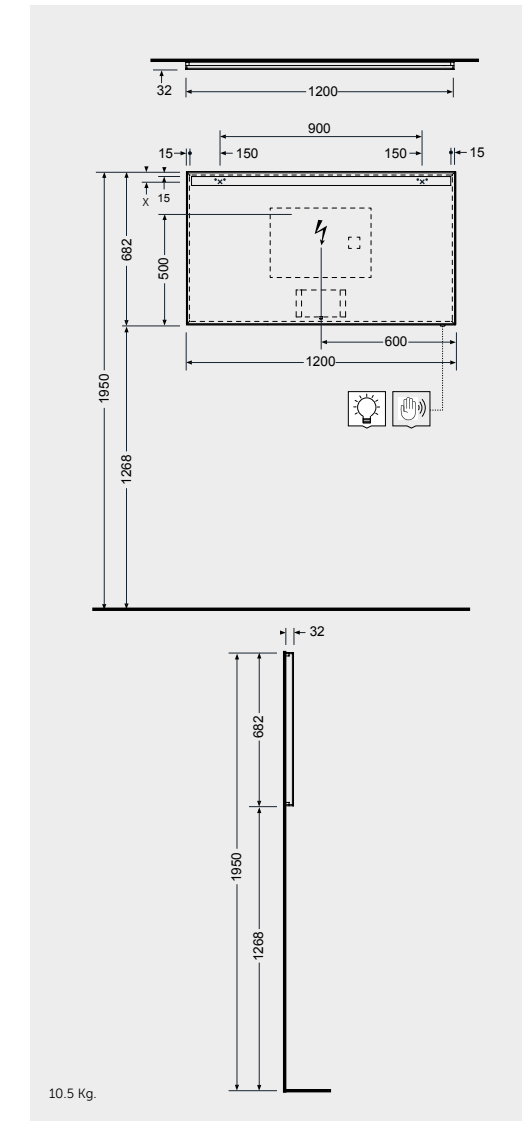
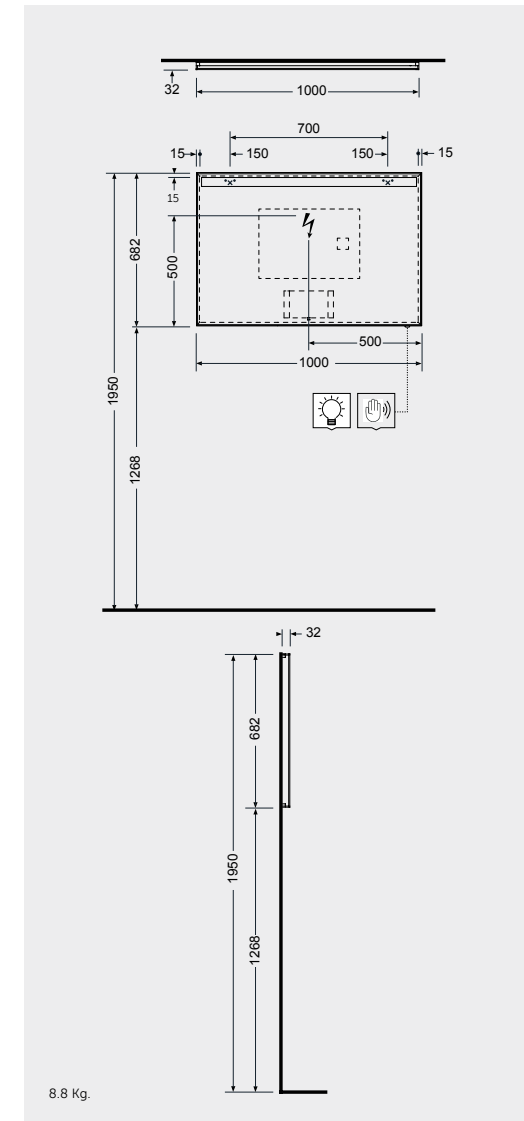
Cool White 6000K  
700 Lumens



W 120 x D 3 x H 68CM  
JOYMR12068LED

Cool White 6000K  
900 Lumens

Measurements | Misure | Dimensions | Abmessungen | Размеры





RAK CERAMICS  
P.O. Box 4714, Ras Al Khaimah,  
United Arab Emirates (U.A.E.)  
Tel.: +971 7 2467000  
Fax: +971 7 2445270  
Email : info@RAKceramics.com

---

**RAKCERAMICS.COM**

---

