

Lifestyle Surface

2025



RAK
CERAMICS

RAK
CERAMICS

Index Porcelain Surfaces

Concrete

Creative Concrete P	16
Creative Concrete P Race	24
Creative Concrete P Stone	20
Opificio	26
Opificio T	27
Portofino	28

Marble

Calacatta Gold	36
Crystal White	37
Dark Ink	38
Dark Onyx	40
Elegant Marfil	40
Granito Blu Ande	41
Iceland White	42
Luce	44
Marble Treviso	46
Preziosi	48
Rapolano Marble	50
Versilia Marble	54

Metal / Resin

Cosmic Metal	64
Metamorfosi	66
Metamorfosi Decor	68

Stone

Baltico	76
Carmo Stone	80
Ceppo Di Gre' Stone	84
City Stone	86
City Stone T	90
Cotto Pienza	92
Cotto Pienza G	94
Curton	98
Moon Stone	102
Orobico	106
Paleo	108
Pontino	112
Pordoi Stone	116
Portland Stone Cross Cut	120
Portland Stone Vein Cut	122
Travertine Cross Cut	126

Wood

Essential Wood	138
Line Wood	140
Papyrus Wood	146
Sapient Wood	148
Sigurt Wood	154

Outdoor (20mm Thickness)

Baltico	78
Carmo Stone	80
Ceppo Di Gre' Stone	84
City Stone	86
City Stone T	90
Cotto Pienza G	94
Creative Concrete P Decor	18
Creative Concrete P Stone	20
Essential Wood	138
Line Wood	140
Moon Stone	102
Opificio T	27
Paleo	108
Pontino	112
Pordoi Stone	116
Portland Stone Cross Cut	120
Portland Stone Vein Cut	122
Rapolano Marble	50
Sapient Wood	148
Sigurt Wood	154
Travertine Cross Cut	126

Extra Large

Baltico	76
Cosmic Metal	64
Crystal White	37
Dark Ink	38
Dark Onyx	40
Elegant Marfil	40
Iceland White	42
Luce	44
Marble Treviso	46
Metamorfosi	66
Metamorfosi Decor	68
Moon Stone	102
Orobico	106
Pontino	112
Portland Stone Cross Cut	120
Portland Stone Vein Cut	122
Preziosi	48
Sapient Wood	148
Travertine Cross Cut	126

Index Ceramic Surfaces

39x117 cm

Black Iron	172
Materia	173
Petra Stone	174
Soft Stone	176

30x90 cm

Bella Concrete	178
Mare	179
Spatula	180
Trama	182

30x60 cm

14000	183
Breviara	183
Fume	184
Metropol	185
Stromboli	184

6.5x26 cm

Marakkesh	194
-----------	-----

11.7x24.5 cm

Hydo	186
------	-----

Special

Bricks And More

Cotto Pienza G Brick	96
Creative Concrete P Stone Brick	25
Dark Ink Brick	39
Hydo	186
Marakkesh	194
Portofino Brick	29

Signature Collection

Baltico	76
Cotto Pienza	92
Cotto Pienza G	94
Cotto Pienza G Brick	96
Creative Concrete P	16
Creative Concrete P Race	24
Creative Concrete P Stone	20
Creative Concrete P Stone Brick	25
Crystal White	37
Dark Ink	38
Dark Ink Brick	39
Essential Wood	138
Granito Blu Ande	41
Luce	44
Marakkesh	194
Metamorfosi	66
Metamorfosi Decor	68
Moon Stone	102
Orobico	106
Pontino	112
Preziosi	48
Sapient Wood	148

Alphabetical Index

B

Baltico	76
Bella Concrete	178
Black Iron	172
Breviara	183

C

Calacatta Gold	36
Carmo Stone	80
Ceppo Di Gre' Stone	84
City Stone	86
City Stone T	90
Cosmic Metal	64
Cotto Pienza	92
Cotto Pienza G	94
Cotto Pienza G Brick	96
Creative Concrete P	16
Creative Concrete P Race	24
Creative Concrete P Stone	20
Creative Concrete P Stone Brick	25
Crystal White	37
Curton	98

D

Dark Ink	38
Dark Ink Brick	39
Dark Onyx	40

E

Elegant Marfil	40
Essential Wood	138

F

Fume	184
------	-----

G

Granito Blu Ande	41
------------------	----

H

Hydo	186
------	-----

I

Iceland White	42
---------------	----

L

Line Wood	140
Luce	44

M

Marakkesh	194
-----------	-----

Marble Treviso	46
Mare	179
Metamorfosi	66
Metamorfosi Decor	68
Materia	173
Metropol	185
Moon Stone	102

O

Opificio	26
Opificio T	27
Orobico	106

P

Paleo	108
Papyrus Wood	146
Petra Stone	174
Pontino	112
Pordoi Stone	116
Portland Stone Cross Cut	120
Portland Stone Vein Cut	122
Portofino	28
Portofino Brick	29
Preziosi	48

R

Rapolano Marble	50
-----------------	----

S

Sapient Wood	148
Sigurt Wood	154
Soft Stone	176
Spatula	180
Stromboli	184

T

Trama	182
Travertine Cross Cut	126

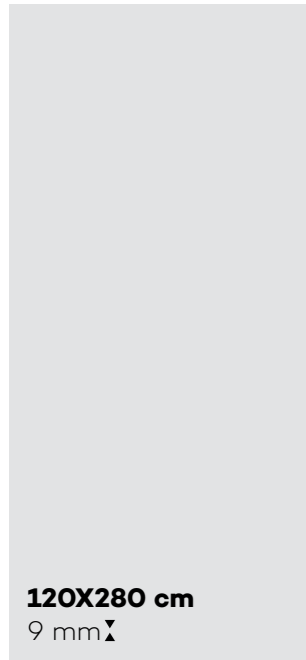
V

Versilia Marble	54
-----------------	----

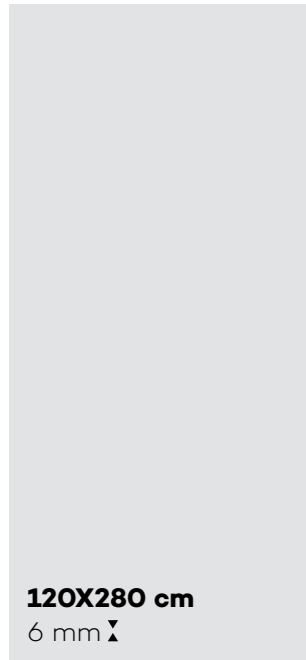
*

1400	183
------	-----

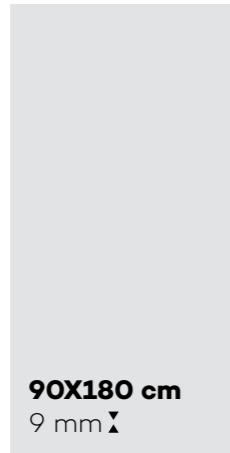
Index by Size



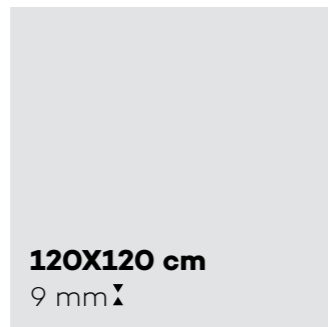
Baltico	76
Pontino	112
Portland Stone Cross Cut	120
Portland Stone Vein Cut	122
Travertine Cross Cut	126



Cosmic Metal	64
Dark Ink	38
Dark Onyx	40
Luce	44
Metamorfosi	66
Metamorfosi Decor	68
Orobico	106
Preziosi	48



Baltico	76
Crystal White	35
Elegant Marfil	40
Iceland White	42
Marble Treviso	46
Moon Stone	102
Orobico	106
Pontino	112
Portland Stone Cross Cut	120
Portland Stone Vein Cut	122
Sapien Wood	148
Travertine Cross Cut	126



Baltico	76
Calacatta Gold	34
Creative Concrete P	16
Creative Concrete P Stone	20
Crystal White	37
Elegant Marfil	40
Granito Blu Ande	41
Iceland White	42
Marble Treviso	46
Metamorfosi	66
Moon Stone	102
Pontino	112
Portland Stone Cross Cut	120
Portland Stone Vein Cut	122
Travertine Cross Cut	126
Versilia Marble	54



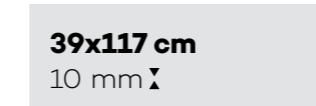
Sapien Wood	148
-------------	-----



Essential Wood	138
Line Wood	140
Sapien Wood	148
Sigurt Wood	154



Creative Concrete P Race	24
Essential Wood	138
Line Wood	140
Sapien Wood	148
Sigurt Wood	154



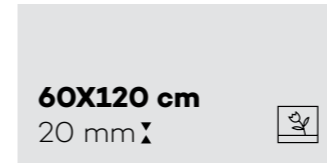
Black Iron	172
Materia	173
Petra Stone	174
Soft Stone	176



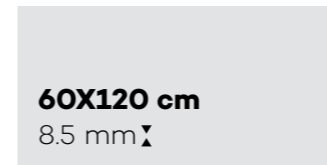
Baltico	78
Pordoi Stone	116



Baltico	76
Ceppo Di Gre' Stone	84
Opificio	26
Pordoi Stone	116
Versilia Marble	54



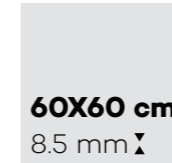
Baltico	78
Carmo Stone	80
Ceppo Di Gre' Stone	84
City Stone	86
Creative Concrete P Decor	18
Creative Concrete P Stone	20
Essential Wood	138
Line Wood	140
Moon Stone	102
Paleo	108
Pontino	112
Pordoi Stone	116
Portland Stone Cross Cut	120
Portland Stone Vein Cut	122
Rapolano Marble	50
Sapien Wood	148
Sigurt Wood	152
Travertine Cross Cut	126



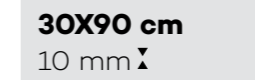
Baltico	76
Calacatta Gold	34
Carmo Stone	80
Ceppo Di Gre' Stone	84
City Stone	86
Cotto Pienza	92
Creative Concrete P	16
Creative Concrete P Stone	20
Crystal White	37
Curton	98
Granito Blu Ande	41
Iceland White	42
Marble Treviso	46
Moon Stone	102
Opificio	26
Orobico	106
Paleo	108
Pontino	112
Pordoi Stone	116
Portland Stone Cross Cut	120
Portland Stone Vein Cut	122
Rapolano Marble	50
Sapien Wood	148
Travertine Cross Cut	126
Versilia Marble	54



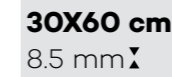
City Stone T	90
Cotto Pienza G	94
Opificio T	27
Paleo	108



Baltico	76
Carmo Stone	80
City Stone	86
Cotto Pienza	92
Creative Concrete P	16
Creative Concrete P Stone	20
Curton	98
Iceland White	42
Marble Treviso	46
Opificio	26
Paleo	108
Papyrus Wood	146
Pontino	112
Pordoi Stone	116
Portofino	28
Rapolano Marble	50
Travertine Cross Cut	126
Versilia Marble	54



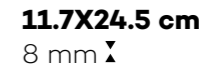
Bella Concrete	178
Mare	179
Spatula	180
Trama	182



14000	183
Breviara	183
Carmo Stone	80
City Stone	86
Curton	98
Fume	184
Metropol	185
Paleo	108
Stromboli	184



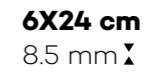
City Stone	86
------------	----



Hydo	186
------	-----



Cotto Pienza G Brick	96
Creative Concrete P Stone Brick	25
Marakkesh	194
Portofino Brick	29



Dark Ink Brick	39
----------------	----



Carmo Stone	83
-------------	----



Focused on ceramics' expertise

RAK Ceramics is one of the largest ceramic brands in the world, specializing in ceramic and gres porcelain wall and floor tiles, tableware, sanitary ware and faucets. With the capacity to produce 118 million square meters of tiles, 5.7 million pieces of sanitary ware, 36 million pieces of porcelain tableware and 2.6 million pieces of faucets per year, RAK Ceramics operates 23 state-of-the-art plants across the UAE, India, Bangladesh and Europe.

Founded in 1989 and headquartered in the UAE, RAK Ceramics serves clients in more than 150 countries through its network of operational hubs. The company is publicly listed on the Abu Dhabi Securities Exchange and has an annual turnover of approximately USD 1 billion.

From the world's leading ceramics lifestyle solution provider

RAK Ceramics helps architects and interior designers create icons and build marvels. It provides sustainable materials that inspire ideas, shapes and hues designed to freely express any style. Unique and inspiring products that realistically resemble natural materials, with unlimited choice.

RAK Ceramics gives porcelain perfection and limitless imagination. Its passion and expertise combined with a careful attention to details enables it to provide designers and end users with a wide range of integrated ceramics solutions, allowing their freedom to be creative and plenty of room for imagination.



RAK
CERAMICS

SURFACES



Concrete

The ultimate expression of minimalism

RAK Ceramics concrete surface collection makes a powerful statement with its sheer simplicity. No fuss, no frills, just pure perfection. With its neutral colour and natural texture, the concrete-look tiles are the ideal choice in creating a minimalist look and feel.

It is a versatile collection that suits well with any settings, either with a contemporary or minimalist mood, or in residential contexts or contract industry.



CREATIVE CONCRETE P

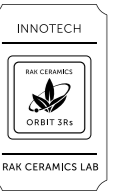
CREATIVE CONCRETE P WHITE

CREATIVE CONCRETE P GREY



CREATIVE CONCRETE P DARK GREY

CREATIVE CONCRETE P BEIGE



PORCELAIN TILES | Matt • Rectified • Smooth / Light Structure

NAME	COLOR	SURFACE	120X120 cm 47.24"x47.24" (Smooth)	60X120 cm 23.62"x47.24" (Light Structure)	60X60 cm 23.62"x23.62" (Light Structure)
CREATIVE CONCRETE P	WHITE	MATT	A22GCTVP-WHE.MOX5R	A12GCTVP-WHE.A6X5R	A06GCTVP-WHE.A6X0R
	GREY	MATT	A22GCTVP-GRY.MOX5R	A12GCTVP-GRY.A6X5R	A06GCTVP-GRY.A6X0R

Creative Concrete P Accessories (codes available upon request)

30x30 cm 11.81"x11.81"	30x40 cm 11.81"x15.74"	30x60 cm 11.81"x23.62"	29.8x60 cm 11.73"x23.62"	8x60 cm 3.14"x23.62"
MOSAIC 4.7X4.7	MOSAIC	MOSAIC	STEP	SKIRTING

PORCELAIN TILES | Matt • Rectified • Smooth / Light Structure

NAME	COLOR	SURFACE	120X120 cm 47.24"x47.24" (Smooth)	60X120 cm 23.62"x47.24" (Light Structure)	60X60 cm 23.62"x23.62" (Light Structure)
CREATIVE CONCRETE P	DARK GREY	MATT	A22GCTVP-DKG.MOX5R	A12GCTVP-DKG.A6X5R	A06GCTVP-DKG.A6X0R
	BEIGE	MATT	A22GCTVP-BEE.MOX5R	A12GCTVP-BEE.A6X5R	A06GCTVP-BEE.A6X0R

9.6x120 cm 3.77"x47.24"	30x120 cm 11.81"x47.24"	15x120 cm 5.90"x47.24"
SKIRTING	STEP	RISER

CREATIVE CONCRETE P DECOR

CREATIVE CONCRETE P DECOR WHITE

CREATIVE CONCRETE P DECOR GREY



V2

Wall

Floor

Domestic

Light Commercial

R10
A

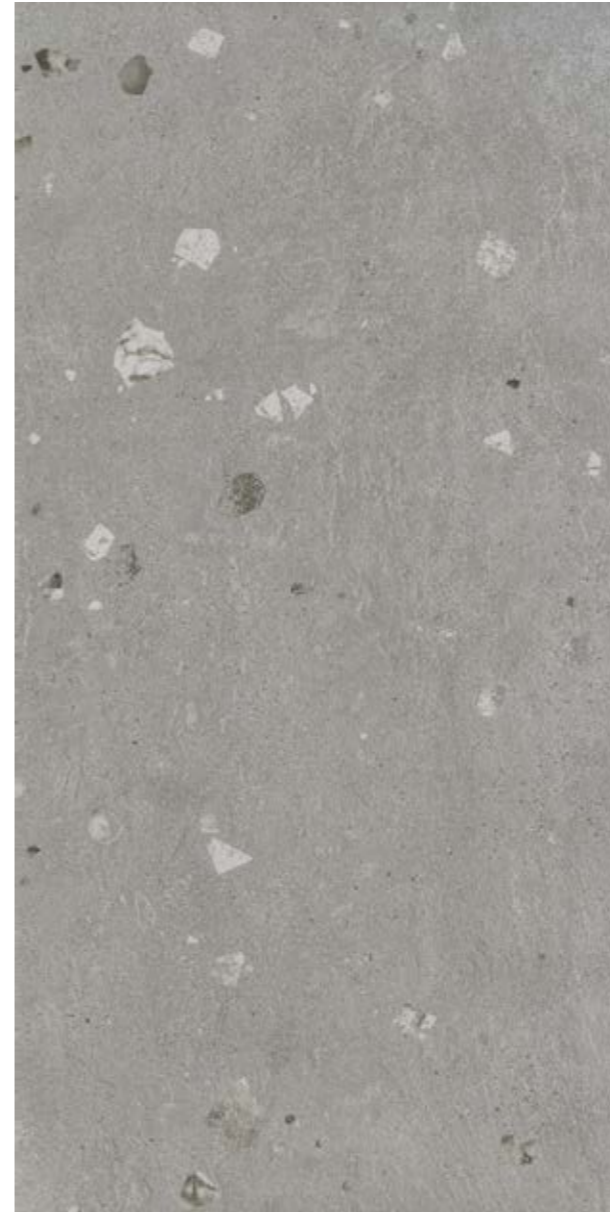
Outdoor

R11



CREATIVE CONCRETE P DECOR DARK GREY

CREATIVE CONCRETE P DECOR BEIGE



V2

Wall

Floor

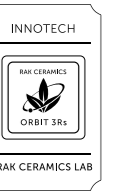
Domestic

Light Commercial

R10
A

Outdoor

R11



PORCELAIN TILES | Matt • Rectified • Light Structure

NAME	COLOR	SURFACE	120X120 cm 47.24"X47.24"	60X120 cm 23.62"X47.24"	60X60 cm 23.62"X23.62"
CREATIVE CONCRETE P DECOR	WHITE	MATT	A22GCTVP-WHE.MDX5R	A12GCTVP-WHE.ADX5R	A06GCTVP-WHE.ADX0R
	GREY	MATT	A22GCTVP-GRY.MDX5R	A12GCTVP-GRY.ADX5R	A06GCTVP-GRY.ADX0R

NAME	COLOR	SURFACE	60X120 cm 23.62"X47.24"
CREATIVE CONCRETE P DECOR	WHITE	MATT	A12GCTVP-WHEYDX7R
20 mm	GREY	MATT	A12GCTVP-GRYDX7R

PORCELAIN TILES | Matt • Rectified • Light Structure

NAME	COLOR	SURFACE	120X120 cm 47.24"X47.24"	60X120 cm 23.62"X47.24"	60X60 cm 23.62"X23.62"
CREATIVE CONCRETE P DECOR	DARK GREY	MATT	A22GCTVP-DKG.MDX5R	A12GCTVP-DKG.ADX5R	A06GCTVP-DKG.ADX0R
	BEIGE	MATT	A22GCTVP-BEE.MDX5R	A12GCTVP-BEE.ADX5R	A06GCTVP-BEE.ADX0R

NAME	COLOR	SURFACE	60X120 cm 23.62"X47.24"
CREATIVE CONCRETE P DECOR	DARK GREY	MATT	A12GCTVP-DKGYDX7R
20 mm	BEIGE	MATT	A12GCTVP-BEEDX7R

CREATIVE CONCRETE P STONE

CREATIVE CONCRETE P STONE WHITE

CREATIVE CONCRETE P STONE GREY



CREATIVE CONCRETE P STONE DARK GREY

CREATIVE CONCRETE P STONE BEIGE



PORCELAIN TILES | Matt • Rectified • Smooth

NAME	COLOR	SURFACE	120X120 cm 47.24"X47.24"	60X120 cm 23.62"X47.24"	60X60 cm 23.62"X23.62"
CREATIVE CONCRETE P STONE	WHITE	MATT	A22GCTVS-WHE.A0X5R	A12GCTVS-WHE.A0X5R	A06GCTVS-WHE.A0X0R
	GREY	MATT	A22GCTVS-GRY.A0X5R	A12GCTVS-GRY.A0X5R	A06GCTVS-GRY.A0X0R

NAME	COLOR	SURFACE	60X120 cm 23.62"X47.24"
CREATIVE CONCRETE P STONE	WHITE	MATT	A12GCTVS-WHEY0X7R
20 mm	GREY	MATT	A12GCTVS-GRYY0X7R

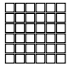
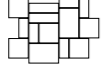



PORCELAIN TILES | Matt • Rectified • Smooth

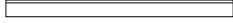


NAME	COLOR	SURFACE	120X120 cm 47.24"X47.24"	60X120 cm 23.62"X47.24"	60X60 cm 23.62"X23.62"
CREATIVE CONCRETE P STONE	DARK GREY	MATT	A22GCTVS-DKG.A0X5R	A12GCTVS-DKG.A0X5R	A06GCTVS-DKG.A0X0R
	BEIGE	MATT	A22GCTVS-BEE.A0X5R	A12GCTVS-BEE.A0X5R	A06GCTVS-BEE.A0X0R

NAME	COLOR	SURFACE	60X120 cm 23.62"X47.24"
CREATIVE CONCRETE P STONE	DARK GREY	MATT	A12GCTVS-DKGY0X7R
20 mm	BEIGE	MATT	A12GCTVS-BEEY0X7R

Concrete

Creative Concrete P Stone Accessories (codes available upon request)

30x30 cm 11.81"x11.81"	30x40 cm 11.81"x15.74"	30x60 cm 11.81"x23.62"	298x60 cm 11.73"x23.62"	8x60 cm 3.14"x23.62"
				
MOSAIC 4.7x4.7	MOSAIC	MOSAIC	STEP	SKIRTING

9.6x120 cm 3.77"x47.24"	30x120 cm 11.81"x47.24"	15x120 cm 5.90"x47.24"
		
SKIRTING	STEP	RISER



CREATIVE CONCRETE P RACE

SIGNATURE COLLECTION

CREATIVE CONCRETE P RACE BEIGE DECOR



V2

Wall

Floor

Domestic

Light Commercial

R10
A

CREATIVE CONCRETE P RACE DARK GREY DECOR



CREATIVE CONCRETE P RACE GREY DECOR



CREATIVE CONCRETE P RACE WHITE DECOR



INNOTECH

RAK CERAMICS

ORBIT 3RS

RAK CERAMICS LAB

PORCELAIN TILES | Matt • Rectified • Light Structure

NAME	COLOR	SURFACE	195X120 cm 7.67"X4.724"
CREATIVE CONCRETE P RACE	BEIGE	MATT	A99GCTVR#BEE.AVX5R
	DARK GREY	MATT	A99GCTVR#DKG.AVX5R
	GREY	MATT	A99GCTVR#GRY.AVX5R
	WHITE	MATT	A99GCTVR#WHE.AVX5R

CREATIVE CONCRETE P BRICK

SIGNATURE COLLECTION

CREATIVE CONCRETE P BRICK WHITE



CREATIVE CONCRETE P BRICK CORAL



V2

Wall

Floor

Domestic

Light Commercial

CREATIVE CONCRETE P BRICK MINT



CREATIVE CONCRETE P BRICK JUNGLE



CREATIVE CONCRETE P BRICK LIGHT BLUE



CREATIVE CONCRETE P BRICK OCEAN



CREATIVE CONCRETE P BRICK LAVENDER



CREATIVE CONCRETE P BRICK ANTRACITE



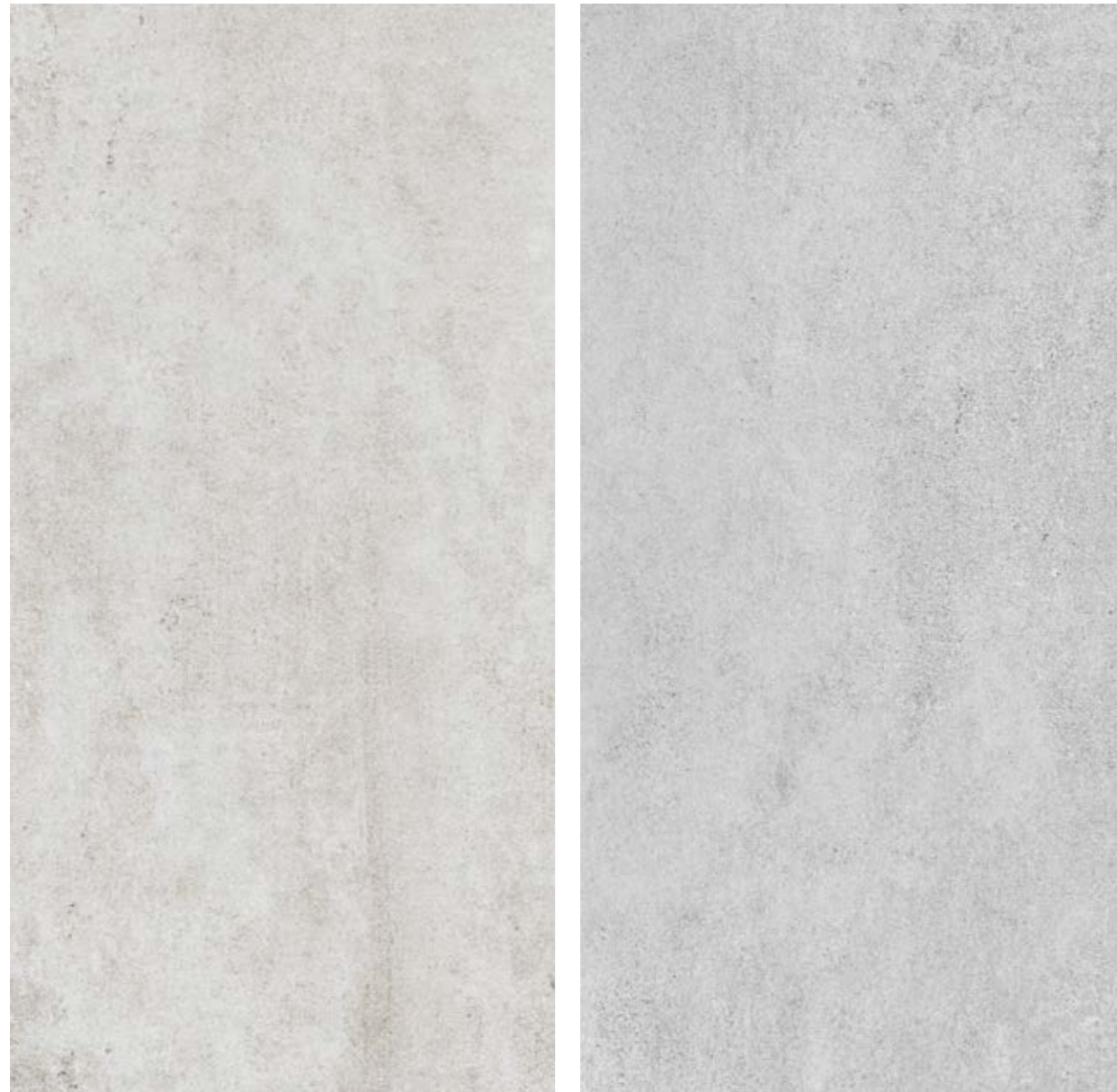
WHITE BODY CERAMIC TILES | Matt • Straight • Light Structure

NAME	COLOR	SURFACE	6.5X26 cm 2.55"X10.23"
CREATIVE CONCRETE P BRICK	WHITE	MATT	A42WCTVB-WHE.M6X0U
	CORAL	MATT	A42WCTVB-COL.M6X0U
	MINT	MATT	A42WCTVB-MNT.M6X0U
	JUNGLE	MATT	A42WCTVB-JUG.M6X0U
	LIGHT BLUE	MATT	A42WCTVB-LIB.M6X0U
	OCEAN	MATT	A42WCTVB-OCN.M6X0U
	LAVENDER	MATT	A42WCTVB-LAR.M6X0U
	ANTHRACITE	MATT	A42WCTVB-ANT.M6X0U

OPIFICIO

OPIFICIO WHITE

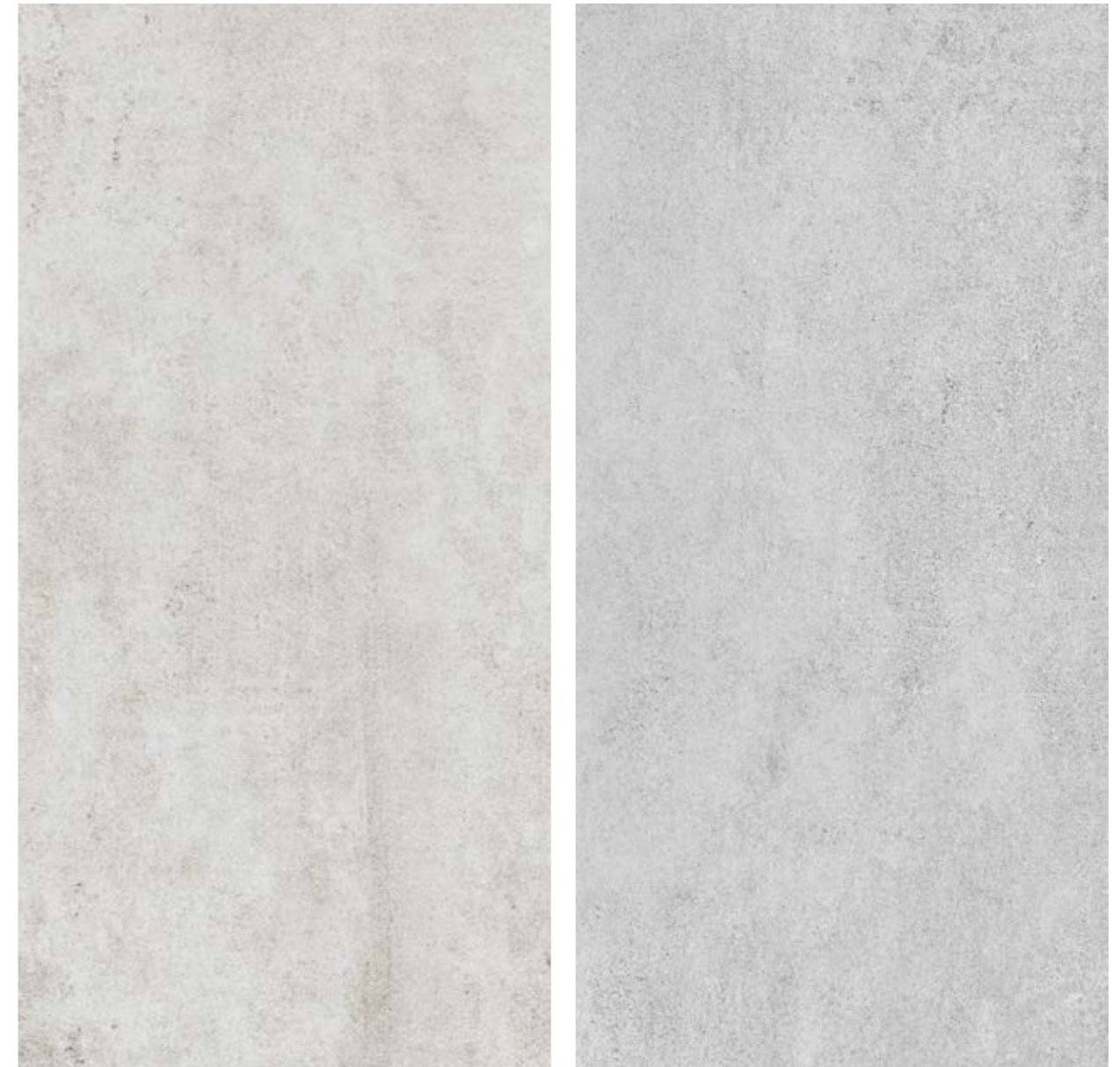
OPIFICIO LIGHT GREY



OPIFICIO T

OPIFICIO T WHITE

OPIFICIO T LIGHT GREY



PORCELAIN TILES | Matt • Rectified • Light Structure

NAME	COLOR	SURFACE	80X80 cm 31.49"x31.49"	60X120 cm 23.62"x47.24"	60X60 cm 23.62"x23.62"
OPIFICIO	WHITE	MATT	A05GOPFC-WHE.A6X0R	A12GOPFC-WHE.A6X5R	A06GOPFC-WHE.A6X0R
	LIGHT GREY	MATT	A05GOPFC-LIG.A6X0R	A12GOPFC-LIG.A6X5R	A06GOPFC-LIG.A6X0R

Opificio Accessories (codes available upon request)

30x30 cm 11.81"x11.81"	30x40 cm 11.81"x15.74"	30x60 cm 11.81"x23.62"	29.8x60 cm 11.73"x23.62"	8x60 cm 3.14"x23.62"
MOSAIC 4.7X4.7	MOSAIC	MOSAIC	STEP	SKIRTING

FULL BODY PORCELAIN TILES | Matt • Rectified • Smooth

NAME	COLOR	SURFACE	60X120 cm 23.62"x47.24"
OPIFICIO T	WHITE	MATT	A06GOPFT-WHEU6X7R
20 mm	LIGHT GREY	MATT	A06GOPFT-LIGU6X7R

9.6x80 cm 3.77"x31.49"	9.6x120 cm 3.77"x47.24"	30x120 cm 11.81"x47.24"	15x120 cm 5.90"x47.24"
SKIRTING	SKIRTING	STEP	RISER

PORTOFINO

PORTOFINO WHITE



PORTOFINO GREIGE








PORTOFINO MUSK

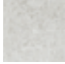



PORTOFINO BLUE



-  **V2**
-  Wall
-  Floor
-  Domestic
-  Light Commercial

PORCELAIN TILES | Glossy • Rectified • Light Structure

NAME	COLOR	SURFACE	60X60 cm 23.62"X23.62"	
PORTOFINO		WHITE	GLOSSY	A06GPTFN-WHE-H6X0R
		GREIGE	GLOSSY	A06GPTFN-GRG-H6X0R
		MUSK	GLOSSY	A06GPTFN-MUK-H6X0R
		BLUE	GLOSSY	A06GPTFN-BLE-H6X0R

PORTOFINO BRICK

PORTOFINO BRICK WHITE



PORTOFINO BRICK PINK



PORTOFINO BRICK GREIGE



PORTOFINO BRICK MUSK



PORTOFINO BRICK SALVIA



PORTOFINO BRICK GREEN



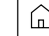
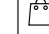


PORTOFINO BRICK BLUE











PORTOFINO BRICK OCEAN



-  **V3**
-  Wall
-  Domestic
-  Light Commercial

WHITE BODY CERAMIC TILES | Glossy • Straight • Light Structure

NAME	COLOR	SURFACE	6.5X26 cm 2.55"X10.23"	
PORTOFINO BRICK		WHITE	GLOSSY	A42WPTFN-WHE.H6X0U
		PINK	GLOSSY	A42WPTFN-PIK.H6X0U
		GREIGE	GLOSSY	A42WPTFN-GRG.H6X0U
		MUSK	GLOSSY	A42WPTFN-MUK.H6X0U
		SALVIA	GLOSSY	A42WPTFN-SLV.H6X0U
		GREEN	GLOSSY	A42WPTFN-GRE.H6X0U
		BLUE	GLOSSY	A42WPTFN-BLE.H6X0U
		OCEAN	GLOSSY	A42WPTFN-OCN.H6X0U

MIX & MATCH

CREATIVE CONCRETE P

Creative concrete p stone grey,
Creative concrete p dark grey,
Creative concrete p brick anthracite,
Creative concrete p brick white



OPIFICIO

Opificio white,
Opificio light grey,
Line wood ivory



PORTOFINO

Portofino blue,
Portofino brick blue,
Portofino brick white





Marble

Design your luxury interiors with a timeless charm

A wide and varied range of collections inspired by the elegance of marble to offer hundreds of solutions for residential areas, hospitality industry and business places. Revised classy marble and granite patterns displaying elegant veins which remodel your spaces, creating sophisticated ambiances. When you choose a Marble looking tile collection, you choose the timeless beauty of one of the finest materials in nature, combining it with all the advantages of porcelain and ceramic tiles in terms of performance, durability, ease of laying and maintenance.








Marble

CALACATTA GOLD

CALACATTA GOLD WHITE



-  **V2**
-  Wall
-  Floor
-  Domestic
-  Light Commercial

PORCELAIN TILES | Polished / Matt • Rectified • Smooth

NAME	COLOR	SURFACE	120X120 cm 47.24"x47.24"	60X120 cm 23.62"x47.24"
CALACATTA GOLD	WHITE	MATT	A22GCTGD-WHE.MOX5R	A12GCTAG-WHE.MOX5R
	WHITE	POLISHED	A22GCTAG-WHE.NOX5P	A12GCTAG-WHE.NOX5P

Calacatta Gold white is also available in

MAXIMUS
MEGA SLAB

144X305 cm 
56.69"x120.07"



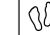
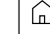
120X280 cm 
47.24"x110.23"

Marble

CRYSTAL WHITE

CRYSTAL WHITE



-  **V2**
-  Wall
-  Floor
-  Domestic

SIGNATURE
COLLECTION


PORCELAIN TILES | Polished / Matt • Rectified • Smooth

NAME	COLOR	SURFACE	90X180 cm 35.43"x70.86"	120X120 cm 47.24"x47.24"	60X120 cm 23.62"x47.24"
CRYSTAL WHITE	WHITE	MATT	A93GCYTR-WHE.MOX5R	A22GCYTR-WHE.MOX5R	A12GCYTR-WHE.MOX5R
	WHITE	POLISHED	A93GCYTR-WHE.NOX5P	A22GCYTR-WHE.NOX5P	A12GCYTR-WHE.NOX5P

Crystal white is also available in

MAXIMUS
MEGA SLAB

162X324 cm 
63.77"x 127.55"

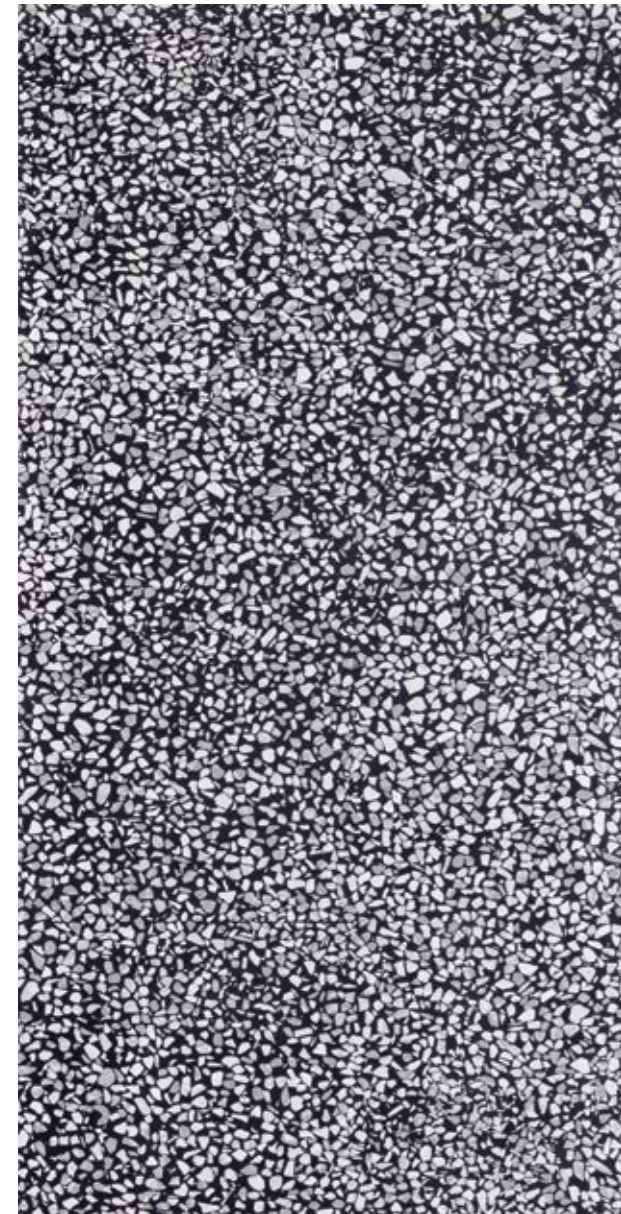
120X280 cm 
47.24"x110.23"

144X305 cm 
56.69"x120.07"

DARK INK

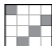
SIGNATURE
COLLECTION

DARK INK BLACK





DARK INK WHITE




-  **V2**
-  Wall
-  Floor
-  Domestic
-  Light Commercial

PORCELAIN TILES | Polished • Rectified • Smooth

NAME	COLOR	SURFACE	120X280 cm 47.24"X110.23"
DARK INK	 BLACK	POLISHED	A82GDKIK-BLKN0X6P
	 WHITE	POLISHED	A82GDKIK-WHEN0X6P

GRES WHITE BODY TILES | Matt • Straight • Smooth

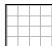


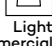
NAME	COLOR	SURFACE	6X24 cm 2.36"X9.44"
DARK INK BRICK	 BLACK	MATT	A62SDKIB-BLKM0X0U

DARK INK BRICK

SIGNATURE
COLLECTION

DARK INK BLACK



-  **V1**
-  Wall
-  Domestic
-  Light Commercial



DARK ONYX






DARK ONYX BLACK



ELEGANT MARFIL

ELEGANT MARFIL CREMA








-  **V2**
-  Wall
-  Floor
-  Domestic
-  Light Commercial

GRANITO BLU ANDE

GRANITO BLU ANDE




-  **V2**
-  Wall
-  Floor
-  Domestic
-  Light Commercial

PORCELAIN TILES | Polished • Rectified • Smooth

NAME	COLOR	SURFACE	120X280 cm 47.24"x110.23"
DARK ONYX BLACK 	BLACK	POLISHED	A82GDKOX-BLK.NOX6P

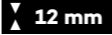
NAME	COLOR	SURFACE	90X180 cm 35.43"x70.86"	120X120 cm 47.24"x47.24"
ELEGANT MARFIL 	CREMA	POLISHED	A93GEGMF-CRM.NOX5P	A22GEGMF-CRM.NOX5P

PORCELAIN TILES | Polished • Rectified • Smooth

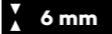
NAME	COLOR	SURFACE	120X120 cm 47.24"x47.24"	60X120 cm 23.62"x70.86"
GRANITO BLU ANDE 	BLUE	POLISHED	A22GGBLA-BLE.NOX5P	A12GGBLA-BLE.NOX5P

Granito Blu Ande is also available in

MAXIMUS
MEGA SLAB

162X324 cm  12 mm
63.77"x127.55"

144X305 cm  14 mm
56.69"x120.07"

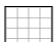



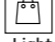
120X280 cm  6 mm
47.24"x110.23"

Marble


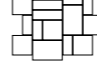
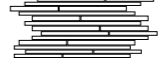


ICELAND WHITE




ICELAND WHITE



-  **V1**
-  **Wall**
-  **Floor**
-  **Domestic**
-  **Light Commercial**

Iceland White Accessories (codes available upon request)

30x30 cm 11.81"x11.81"	30x40 cm 11.81"x15.74"	30x60 cm 11.81"x23.62"	29.8x60 cm 11.73"x23.62"	8x60 cm 3.14"x23.62"
				
MOSAIC 4.7X4.7	MOSAIC	MOSAIC	STEP	SKIRTING

9.6x120 cm 3.77"x47.24"	30x120 cm 11.81"x47.24"	15x120 cm 5.90"x47.24"
		
SKIRTING	STEP	RISER

PORCELAIN TILES | Polished • Rectified • Smooth

NAME	COLOR	SURFACE	90X180 cm 35.43"x70.86"	120X120 cm 47.24"x47.24"	60X120 cm 23.62"x47.24"	60X60 cm 23.62"x23.62"
ICELAND WHITE	WHITE	POLISHED	A93GICMR-WHE.NOX5P	A22GICMR-WHE.NOX5P	A12GICMR-WHE.NOX5P	A06GICMR-WHE.NOX0P

Iceland white is also available in

MAXIMUS
MEGA SLAB

144X305 cm 
56.69"x120.07"

120X280 cm 
47.24"x110.23"



MARBLE

Marble
LUCE

LUCE ONYX WHITE



LUCE ONYX IVORY



LUCE ONYX HARLEQUIN



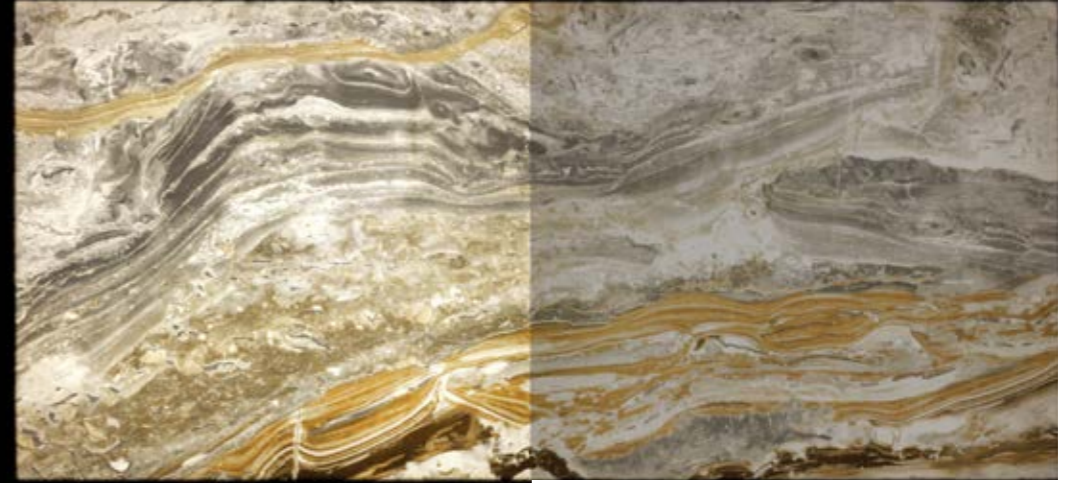
LUCE ONYX ARCO RED



LUCE MARBLE WHITE



SIGNATURE
COLLECTION



V3



Wall



Floor

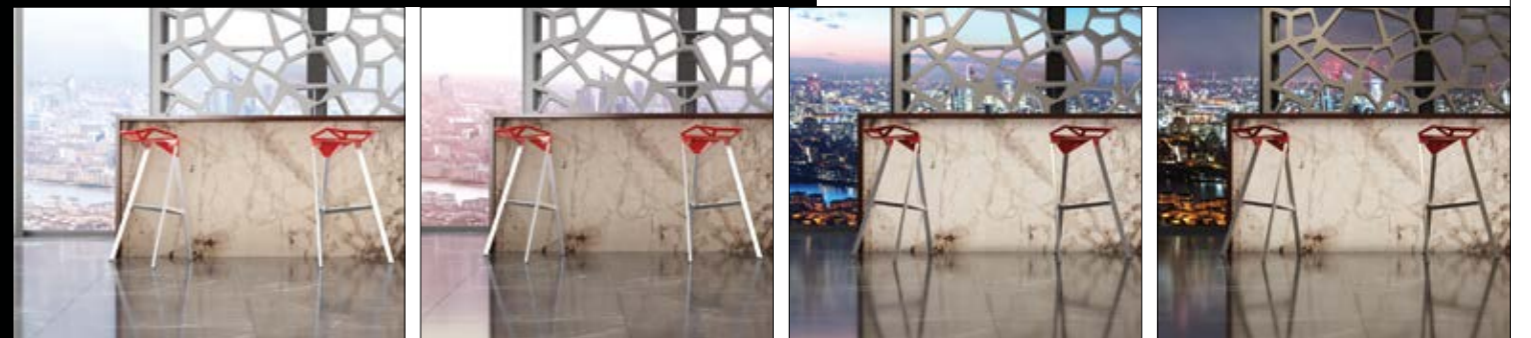


Domestic



Light Commercial

6 mm








9.00 AM

12.00 PM

5.00 PM

9.00 PM

PORCELAIN TILES | Polished • Rectified • Smooth

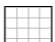




NAME	COLOR	SURFACE	120X280 cm 47.24"X110.23"
LUCE	 ONYX WHITE	POLISHED	A82GLUCE-ONYNOX6P
	 ONYX IVORY	POLISHED	A82GLUCE-OIVNOX6P
	 ONYX HARLEQUIN	POLISHED	A82GLUCE-OHNNOX6P
	 ONYX ARCO RED	POLISHED	A82GLUCE-OARNOX6P
	 MARBLE WHITE	POLISHED	A82GLUCE-MARNOX6P



MARBLE TREVISO

MARBLE TREVISO WHITE




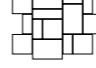
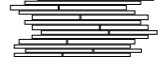


-  **V1**
-  **Wall**
-  **Floor**
-  **Domestic**
-  **Light Commercial**

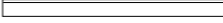


PORCELAIN TILES | Polished • Rectified • Smooth

NAME	COLOR	SURFACE	120X280 cm 47.24" x 110.23" 6 mm	90X180 cm 35.43" x 70.86"	120X120 cm 47.24" x 47.24"
MARBLE TREVISO	WHITE	POLISHED	A82GMBLT-WHE.NOX6P	A93GMBLT-WHE.NOX5P	A22GMBLT-WHE.NOX5P

NAME	COLOR	SURFACE	60X120 cm 23.62" x 47.24"	60X60 cm 23.62" x 23.62"
MARBLE TREVISO	WHITE	POLISHED	A12GMBLT-WHE.NOX5P	A06GMBLT-WHE.NOX0P

Marble Treviso Accessories (codes available upon request)

30x30 cm 11.81"x11.81"	30x40 cm 11.81"x15.74"	30x60 cm 11.81"x23.62"	29.8x60 cm 11.73"x23.62"	8x60 cm 3.14"x23.62"
				
MOSAIC 4.7X4.7	MOSAIC	MOSAIC	STEP	SKIRTING

9.6x120 cm 3.77"x47.24"	30x120 cm 11.81"x47.24"	15x120 cm 5.90"x47.24"
		
SKIRTING	STEP	RISER








PREZIOSI


PREZIOSI OCEAN



SIGNATURE
COLLECTION

-  **V3**
-  Wall
-  Floor
-  Domestic
-  Light Commercial

PORCELAIN TILES | Polished • Rectified • Smooth

NAME	COLOR	SURFACE	120X280 cm 47.24"X110.23"
PREZIOSI	 OCEAN	POLISHED	A82GPRZS-OCN.NOX6P



RAPOLANO MARBLE

RAPOLANO MARBLE LIGHT BEIGE

RAPOLANO MARBLE BEIGE





-  **V2**
-  Wall
-  Floor
-  Domestic
-  Light Commercial
- R9**
-  Outdoor
- R11**
A+B



RAPOLANO MARBLE WHITE



-  **V2**
-  Wall
-  Floor
-  Domestic
-  Light Commercial
- R9**
-  Outdoor
- R11**
A+B

PORCELAIN TILES | Matt • Rectified • Smooth

NAME	COLOR	SURFACE	60X120 cm 23.62"X47.24"	60X60 cm 23.62"X23.62"
RAPOLANO MARBLE	 LIGHT BEIGE	MATT	A12GRLMB-LBEMOX5R	A06GRLMB-LBEMOXOR
	 BEIGE	MATT	A12GRLMB-BEEMOX5R	A06GRLMB-BEEMOXOR

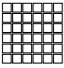
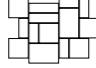





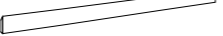
NAME	COLOR	SURFACE	60X120 cm 23.62"X47.24"
RAPOLANO MARBLE	 LIGHT BEIGE	MATT	A12GRLMB-LBEYOX7R
	 BEIGE	MATT	A12GRLMB-BEEOX7R

PORCELAIN TILES | Matt • Rectified • Smooth

NAME	COLOR	SURFACE	60X120 cm 23.62"X47.24"	60X60 cm 23.62"X23.62"
RAPOLANO MARBLE	 WHITE	MATT	A12GRLMB-WHEMOX5R	A06GRLMB-WHEMOXOR

Marble

Rapolano Marble Accessories (codes available upon request)

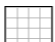



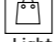
30x30 cm 11.81"x11.81"	30x40 cm 11.81"x15.74"	30x60 cm 11.81"x23.62"	298x60 cm 11.73"x23.62"	8x60 cm 3.14"x23.62"
				
MOSAIC 4.7X4.7	MOSAIC	MOSAIC	STEP	SKIRTING
9.6x120 cm 3.77"x47.24"	30x120 cm 11.81"x47.24"	15x120 cm 5.90"x47.24"		
				
SKIRTING	STEP	RISER		



VERSILIA MARBLE

VERSILIA MARBLE WHITE




-  **V1**
-  Wall
-  Floor
-  Domestic
-  Light Commercial


Versilia Marble white is also available in


MAXIMUS
MEGA SLAB

144X305 cm  **14 mm**
56.69"x120.07"

120X280 cm  **6 mm**
47.24"x110.23"

PORCELAIN TILES | Polished / Matt • Rectified • Smooth

NAME	COLOR	SURFACE	120X120 cm 47.24"x47.24"	80X80 cm 31.49"x31.49"
VERSILIA MARBLE WHITE 	WHITE	MATT	A22GVSMB-WHE.MOX5R	A05GVSMB-WHE.MOXOR
	WHITE	POLISHED	A22GVSMB-WHE.NOX5P	-

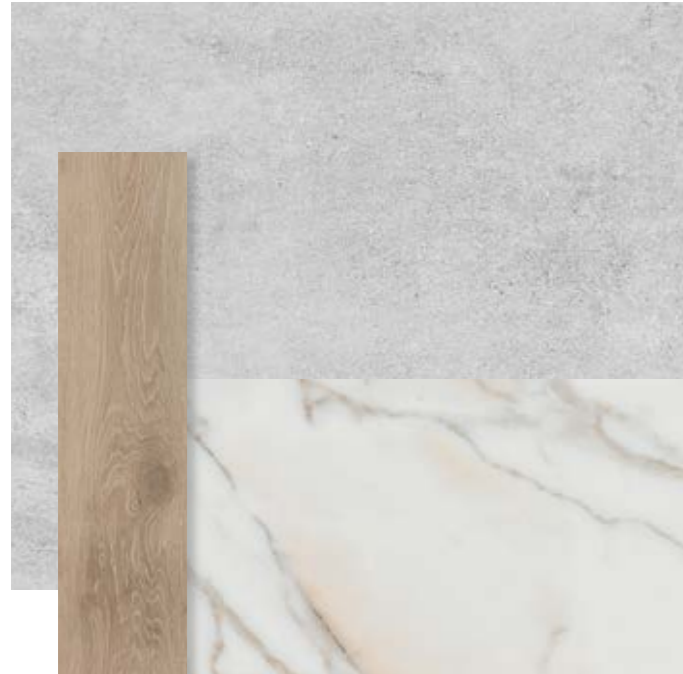
NAME	COLOR	SURFACE	60X120 cm 23.62"x47.24"	60X60 cm 23.62"x23.62"
VERSILIA MARBLE WHITE 	WHITE	MATT	A12GVSMB-WHE.MOX5R	A06GVSMB-WHE.MOXOR
	WHITE	POLISHED	A12GVSMB-WHE.NOX5P	-



MIX & MATCH

CALACATTA GOLD

Calacatta gold,
Sigurt wood Scandinavian oak,
Opificio light grey



CRYSTAL WHITE

Cristal white, *Grey antique,
Moonstone grey,
Grey stone,
Papyrus wood ivory



ELEGANT MARFIL

Elegant marfil crema,
Line wood nut,
Marakkesh ivory



GRANITO BLU ANDE

Granito blu ande,
Portofino brick greige,
Line wood ivory



DARK INK

Dark ink black,
Dark ink white,
Dark ink brick black,
Iceland white



DARK ONYX

Dark onyx,
Luce onyx ivory



GREY ANTIQUE

Cristal white, *Grey antique,
Moonstone grey,
Grey stone,
Papyrus wood ivory



ICELAND WHITE

Iceland white,
Metamorfoosi cloud,
Line wood ivory



MIX & MATCH

LUCE

Luce marble white,
Luce onyx harlequin,
Metamorfosi cotton



MARBLE TREVISO

Marble treviso,
Crystal white,
Sapien wood natural



VERSILIA MARBLE

Versilia marble
Sigurt wood Scandinavian oak
Marakkesh white



PREZIOSI

Preziosi ocean,
*Thassos,
Line wood nut



RAPOLANO MARBLE

Rapolano marble beige,
Rapolano marble light beige,
Marble Treviso





Metal / Resin

The boldness of metal, the charm of resin

A celebration of the dramatic effects and contrasting colours created during the ageing process of raw metal. With a bold and arresting appearance, our Metal collection is perfect for wall and floor, in both urban and industrial settings. The range is completed by spatulated resins, unique in their kind thanks to delicately wavy and irregular textures. An elegant choice, which gives a strong character to the rooms, combined with practicality, hygiene and maximum durability.








Metal


COSMIC METAL

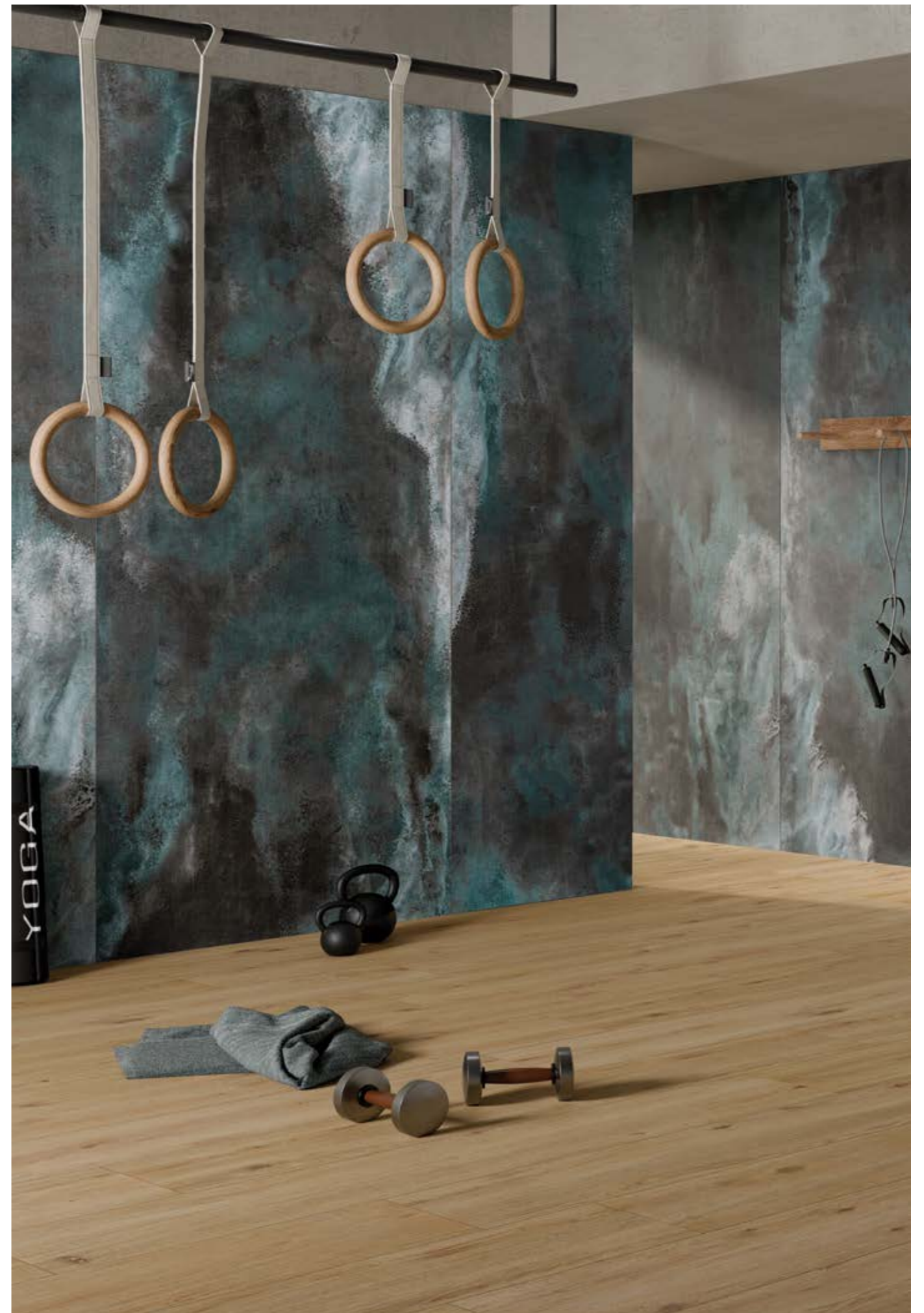
COSMIC METAL EMERALD



-  **V3**
-  Wall
-  Floor
-  Domestic
-  Light Commercial

PORCELAIN TILES | Matt • Rectified • Smooth

NAME	COLOR	SURFACE	120X280 cm 47.24"X110.23"
COSMIC METAL		EMERALD	Matt
A82GCOSM-EMD.MOX6R			



METAL / RESIN

METAMORFOSI

METAMORFOSI COTTON

METAMORFOSI CLOUD



V1

Wall

Domestic

Light Commercial

METAMORFOSI CORD

METAMORFOSI BLOOM



V1

Wall

Domestic

Light Commercial

METAL / RESIN

PORCELAIN TILES | Matt • Rectified • Smooth

NAME	COLOR	SURFACE	120X280 cm	120X120 cm
			47.24"X110.23"	47.24"X47.24"
METAMORFOSI	COTTON	MATT	A82GMTFS-CTT.M0X6R	A22GMTFS-CTT.M0X5R
	CLOUD	MATT	A82GMTFS-COU.M0X6R	A22GMTFS-COU.M0X5R

PORCELAIN TILES | Matt • Rectified • Smooth

NAME	COLOR	SURFACE	120X280 cm	120X120 cm
			47.24"X110.23"	47.24"X47.24"
METAMORFOSI	CORD	MATT	A82GMTFS-CRDM0X6R	A22GMTFS-CRD.M0X5R
	BLOOM	MATT	A82GMTFS-BLM.M0X6R	-

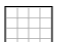




METAMORFOSI DECOR

METAMORFOSI ARTICHOKE CORD DECOR





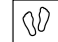


METAMORFOSI LEAVES GREEN DECOR






-  **V1**
-  Wall
-  Floor
-  Domestic
-  Light Commercial

METAMORFOSI PALMS CORD DECOR



-  **V1**
-  Wall
-  Floor
-  Domestic
-  Light Commercial

PORCELAIN TILES | Matt • Rectified • Smooth

NAME	COLOR	SURFACE	120X280 cm 47.24"X110.23" 
METAMORFOSI ARTICHOKE CORD DECOR 	CORD	MATT	A82GMTAT-CRDMDX6R
METAMORFOSI LEAVES GREEN DECOR 	GREEN	MATT	A82GMTLV-GRE.MDX6R

PORCELAIN TILES | Matt • Rectified • Smooth

NAME	COLOR	SURFACE	120X280 cm 47.24"X110.23" 
METAMORFOSI PALMS CORD DECOR 	CORD	MATT	A82GMTPL-CRDMDX6R

MIX & MATCH

COSMIC METAL

Cosmic metal emerald
Sapien wood honey



METAMORFOSI

Metamorfofi cotton,
Metamorfofi cord,
Creative concrete p brick mint,
Creative concrete p brick lavender





Stone

No better way to create a relaxing environment

RAK Ceramics reinterprets the ancestral charm of stone and transforms it to one of the most preferred material in contemporary architecture.

Solid, durable and extremely versatile, the stone-look tiles have special features and highly attractive visual impact. A traditional mood that is able to define interior design projects with a modern appeal. RAK Ceramics' stone collection is inspired by various types of stone existing in nature and is the ideal choice to create a particularly welcoming atmosphere that suits a sophisticated environment, giving a sensation of wellness and relaxation.



STONE

BALTICO

BALTICO LIGHT GREY

BALTICO GREY



V2

Wall

Floor

Domestic

Light Commercial

R10
A+B



BALTICO BEIGE



V2

Wall

Floor

Domestic

Light Commercial

R10
A+B



PORCELAIN TILES | Matt • Rectified • Smooth / Light Structure

NAME	COLOR	SURFACE	120X280 cm 47.24"X110.23" (Smooth)	90X180 cm 35.43"X70.86" (Smooth)	120X120 cm 47.24"X47.24" (Smooth)
BALTICO	LIGHT GREY	MATT	-	A93GBLIC-LIG.A0X5R	A22GBLIC-LIG.A0X5R
	GREY	MATT	A82GBLIC-GRY.M0X5R	A93GBLIC-GRY.A0X5R	A22GBLIC-GRY.A0X5R

NAME	COLOR	SURFACE	60X120 cm 23.62"X47.24" (Light Structure)	80X80 cm 31.49"X31.49" (Light Structure)	60X60 cm 23.62"X23.62" (Light Structure)
BALTICO	LIGHT GREY	MATT	A12GBLIC-LIG.A6X5R	A05GBLIC-LIG.A6X0R	A06GBLIC-LIG.A6X0R
	GREY	MATT	A12GBLIC-GRY.A6X5R	A05GBLIC-GRY.A6X0R	A06GBLIC-GRY.A6X0R

PORCELAIN TILES | Matt • Rectified • Smooth / Light Structure

NAME	COLOR	SURFACE	120X280 cm 47.24"X110.23" (Smooth)	90X180 cm 35.43"X70.86" (Smooth)	120X120 cm 47.24"X47.24" (Smooth)
BALTICO	BEIGE	MATT	A82GBLIC-BEE.M0X5R	A93GBLIC-BEE.A0X5R	A22GBLIC-BEE.A0X5R

NAME	COLOR	SURFACE	60X120 cm 23.62"X47.24" (Light Structure)	80X80 cm 31.49"X31.49" (Light Structure)	60X60 cm 23.62"X23.62" (Light Structure)
BALTICO	BEIGE	MATT	A12GBLIC-BEE.A6X5R	A05GBLIC-BEE.A6X0R	A06GBLIC-BEE.A6X0R

BALTICO

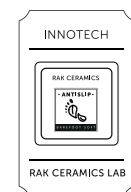
BALTICO LIGHT GREY



BALTICO BEIGE


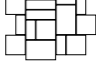









-  **V2**
-  Floor
-  Domestic
-  Light Commercial
-  Outdoor
- R11**



NAME	COLOR	SURFACE	60X120 cm 23.62"x47.24"	80X80 cm 31.49"x31.49"
BALTICO 120 mm	LIGHT GREY	MATT	A12GBLIC-LIGY6X7R	A05GBLIC-LIGY6X7R
	BEIGE	MATT	A12GBLIC-BEEY6X7R	A05GBLIC-BEEY6X7R

Baltico Accessories (codes available upon request)

30x30 cm 11.81"x11.81"	30x40 cm 11.81"x15.74"	30x60 cm 11.81"x23.62"	29.8x60 cm 11.73"x23.62"	8x60 cm 3.14"x23.62"
				
MOSAIC 4.7X4.7	MOSAIC	MOSAIC	STEP	SKIRTING

9.6x80 cm 3.77"x31.49"	9.6x120 cm 3.77"x47.24"	30x120 cm 11.81"x47.24"	15x120 cm 5.90"x47.24"
			
SKIRTING	SKIRTING	STEP	RISER



STONE

CARMO STONE

CARMO STONE GREY

CARMO STONE BLACK



V2

Wall

Floor

Domestic

R10

Outdoor

R11
A+B



CARMO STONE IVORY



V2

Wall

Floor

Domestic

R10

Outdoor

R11
A+B



PORCELAIN TILES | Matt • Rectified • Light Structure

NAME	COLOR	SURFACE	60X120 cm 23.62"X47.24"	30X60 cm 11.81"X23.62"	60X60 cm 23.62"X23.62"
CARMO STONE	GREY	MATT	A12GCMSO-GRY.M6X5R	A09GCMSO-GRY.M6X0R	A06GCMSO-GRY.M6X0R
	BLACK	MATT	A12GCMSO-BLK.M6X5R	A09GCMSO-BLK.M6X0R	A06GCMSO-BLK.M6X0R
	IVORY	MATT	A12GCMSO-IVO.M6X5R	A09GCMSO-IVO.M6X0R	A06GCMSO-IVO.M6X0R

PORCELAIN TILES | Matt • Rectified • Light Structure

NAME	COLOR	SURFACE	60X120 cm 23.62"X47.24"
CARMO STONE 20 mm	GREY	MATT	A12GCMSO-GRY.Y6X7R
	BLACK	MATT	A12GCMSO-BLK.Y6X7R
	IVORY	MATT	A12GCMSO-IVO.Y6X7R



Stone

CARMO STONE

CARMO STONE GREY






CARMO STONE BLACK



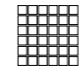
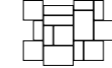


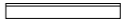



CARMO STONE IVORY



GRESS WHITE BODY TILES | Matt • Rectified • Light Structure

NAME	COLOR	SURFACE	10X10 cm 3.93"x3.93"
	 BLACK	MATT	A10SCMSO-BLKA6X0T
CARMO STONE	 GREY	MATT	A10SCMSO-GRYA6X0T
	 IVORY	MATT	A10SCMSO-IVOA6X0T

Carmo Stone Accessories (codes available upon request)

30x30 cm 11.81"x11.81"	30x40 cm 11.81"x15.74"	30x60 cm 11.81"x23.62"	29.8x60 cm 11.73"x23.62"	8x60 cm 3.14"x23.62"
				
MOSAIC 4.7X4.7	MOSAIC	MOSAIC	STEP	SKIRTING
9.6x120 cm 3.77"x47.24"	30x120 cm 11.81"x47.24"	15x120 cm 5.90"x47.24"		
				
SKIRTING	STEP	RISER		

CEPPO DI GRE' STONE

CEPPO DI GRE' STONE LIGHT GREY

CEPPO DI GRE' STONE MID GREY



-  **V2**
-  Wall
-  Floor
-  Domestic
-  Light Commercial
- R9**
-  Outdoor
- R11**

PORCELAIN TILES | Matt • Rectified • Smooth

NAME	COLOR	SURFACE	60X120 cm 23.62"X47.24"	80X80 cm 31.49"X31.49"
CEPPO DI GRE' STONE	LIGHT GREY	MATT	AGB12CPDGLIGZMLSSR	A05GCPDG-LIG.MOX0R
	MID GREY	MATT	AGB12CPDGMGZMLSSR	A05GCPDG-MGY.MOX0R

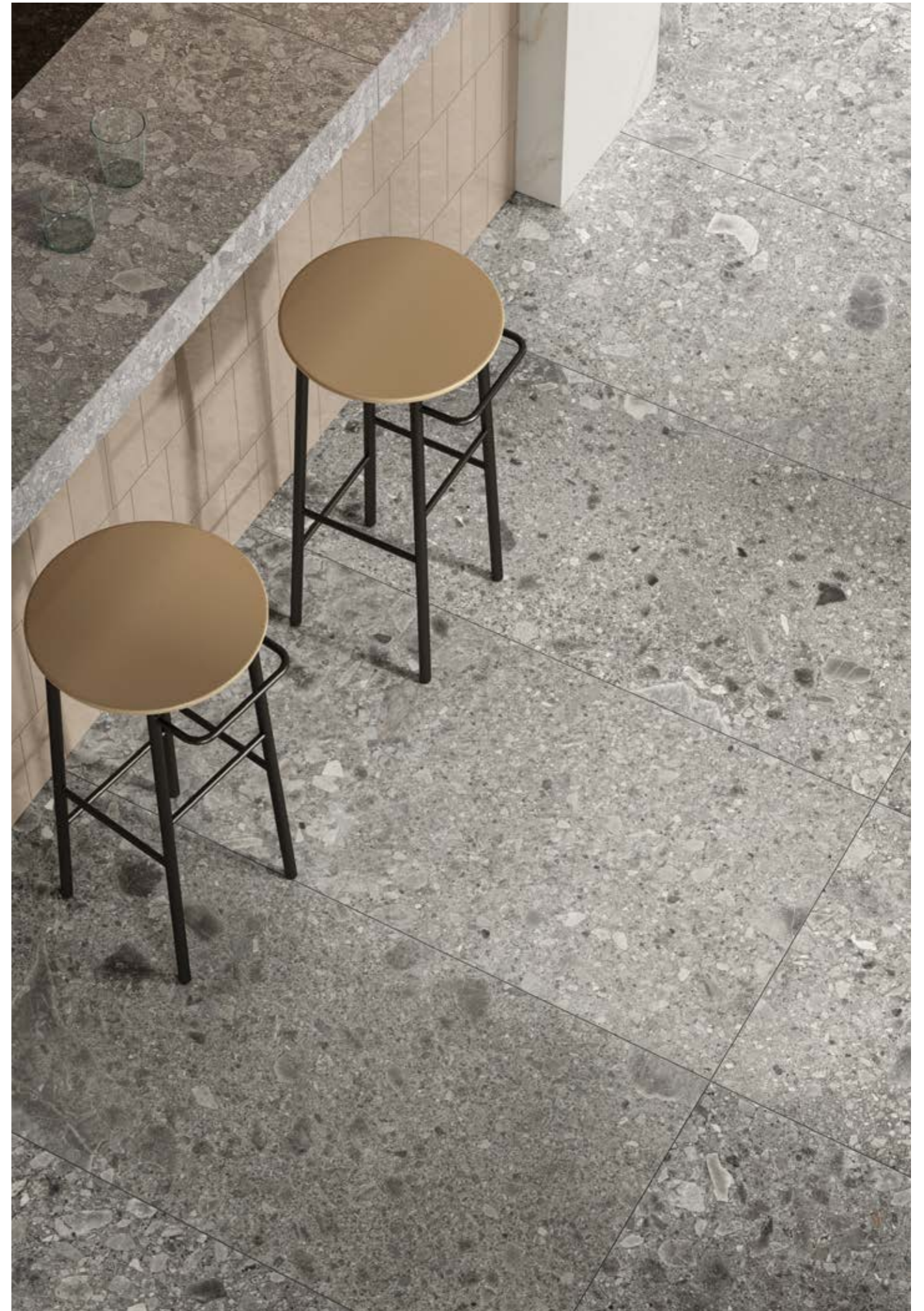
NAME	COLOR	SURFACE	60X120 cm 23.62"X47.24"
CEPPO DI GRE' STONE	LIGHT GREY	MATT	A12GCPDG-LIG.Y6X7R
	MID GREY	MATT	-

Ceppo Di Gré Stone light grey is also available in

MAXIMUS
MEGA SLAB

144X305 cm
56.69"x120.07" **14 mm**

120X280 cm
47.24"x110.23" **6 mm**



CITY STONE

CITY STONE BONE

CITY STONE GREY



-  **V1**
-  Wall
-  Floor
-  Domestic
-  Light Commercial
-  **R10**
A
-  Outdoor
-  **R11**

CITY STONE BEIGE

CITY STONE CLAY



-  **V1**
-  Wall
-  Floor
-  Domestic
-  Light Commercial
-  **R10**
A
-  Outdoor
-  **R11**

PORCELAIN TILES | Matt • Rectified • Light Structure

NAME	COLOR	SURFACE	60X120 cm 23.62"X47.24"	60X120 cm 23.62"X47.24"	60X60 cm 23.62"X23.62"
CITY STONE	BONE	MATT	AGB12CTSEBNEZMLS5R	A12GCTSE-BNEY6X7R	AGB06CTSEBNEZMLNLR
	GREY	MATT	AGB12CTSEGRYZMLS5R	A12GCTSE-GRY6X7R	AGB06CTSEGRYZMLNLR

NAME	COLOR	SURFACE	30X60 cm 11.81"X23.62"	30X30 cm 11.81"X11.81"
CITY STONE	BONE	MATT	AGB09CTSEBNEZMLNLR	A00GCTSE-BON.MOXOR
	GREY	MATT	AGB09CTSEGRYZMLNLR	A00GCTSE-GRY.MOXOR

PORCELAIN TILES | Matt • Rectified • Light Structure

NAME	COLOR	SURFACE	60X120 cm 23.62"X47.24"	60X120 cm 23.62"X47.24"	60X60 cm 23.62"X23.62"
CITY STONE	BEIGE	MATT	AGB12CTSEBEEZMLS5R	A12GCTSE-BEEY6X7R	AGB06CTSEBEEZMLNLR
	CLAY	MATT	AGB12CTSECLAZMLS5R	-	AGB06CTSECLAZMLNLR

NAME	COLOR	SURFACE	30X60 cm 11.81"X23.62"	30X30 cm 11.81"X11.81"
CITY STONE	BEIGE	MATT	AGB09CTSEBEEZMLNLR	A00GCTSE-BEE.MOXOR
	CLAY	MATT	AGB09CTSECLAZMLNLR	A00GCTSE-CLAMOXOR


CITY STONE


CITY STONE ANTHRACITE




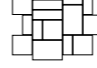
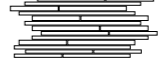


-  **V1**
-  Wall
-  Floor
-  Domestic
-  Light Commercial
-  **R10**
A

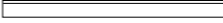


PORCELAIN TILES | Matt • Rectified • Light Structure

NAME	COLOR	SURFACE	60X120 cm 23.62"X47.24"	60X60 cm 23.62"X23.62"
CITY STONE	 ANTHRACITE	MATT	AGB12CTSEANTZMLS5R	AGB06CTSEANTZMLNLR

NAME	COLOR	SURFACE	30X60 cm 11.81"X23.62"	30X30 cm 11.81"X11.81"
CITY STONE	 ANTHRACITE	MATT	AGB09CTSEANTZMLNLR	A00GCTSE-ANT.MOXOR

City Stone Accessories (codes available upon request)

30x30 cm 11.81"X11.81"	30x40 cm 11.81"X15.74"	30x60 cm 11.81"X23.62"	29.8x60 cm 11.73"X23.62"	8x60 cm 3.14"X23.62"
				
MOSAIC 4.7X4.7	MOSAIC	MOSAIC	STEP	SKIRTING

9.6x120 cm 3.77"X47.24"	30x120 cm 11.81"X47.24"	15x120 cm 5.90"X47.24"
		
SKIRTING	STEP	RISER



STONE

CITY STONE T

CITY STONE T BONE





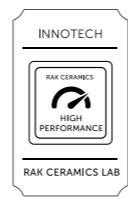
CITY STONE T GREY




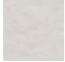


CITY STONE T BEIGE

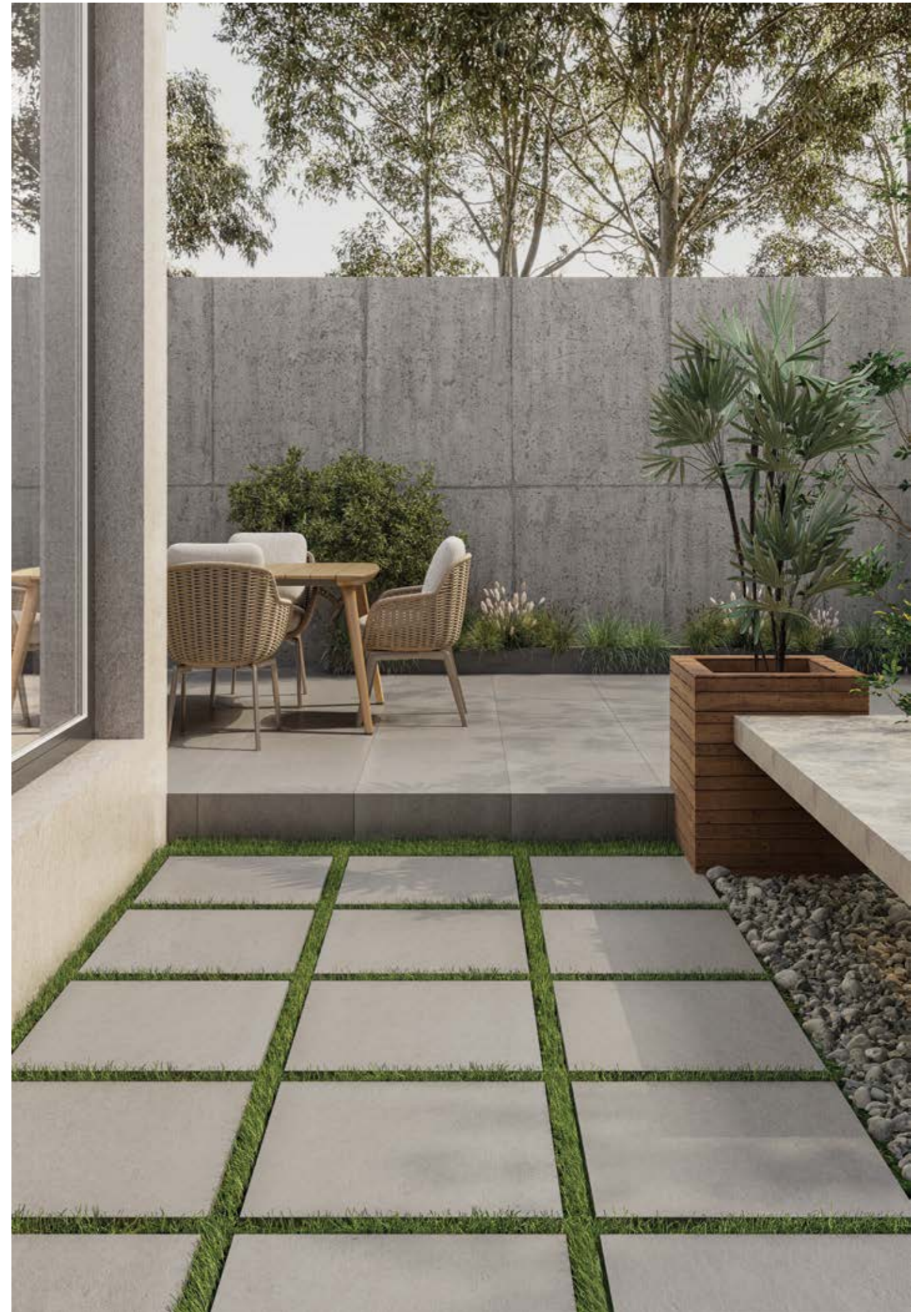


-  **V1**
-  Wall
-  Floor
-  Domestic
-  Light Commercial
-  Outdoor
- R11**



FULL BODY PORCELAIN TILES | Matt • Rectified • Smooth

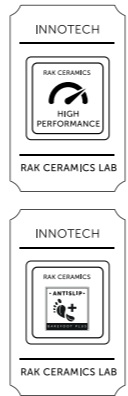
NAME	COLOR	SURFACE	60X60 cm 23.62"X23.62"	
CITY STONE T 20 mm		BONE	MATT	A06GCTYT-BNE.UOX7R
		GREY	MATT	A06GCTYT-GRY.UOX7R
		BEIGE	MATT	A06GCTYT-BEE.UOX7R



COTTO PIENZA

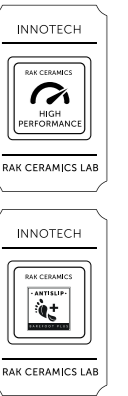
COTTO PIENZA WHITE

COTTO PIENZA NUT



COTTO PIENZA LIGHT BROWN

COTTO PIENZA BROWN



FULL BODY PORCELAIN TILES | Matt • Rectified • Smooth

NAME	COLOR	SURFACE	60X120 cm 23.62"X47.24"	60X60 cm 23.62"X23.62"
COTTO PIENZA		WHITE	MATT	A12GCTPZ-WHE.AOX5R / A06GCTPZ-WHE.AOX0R
		NUT	MATT	A12GCTPZ-NUTA.OX5R / A06GCTPZ-NUTA.OX0R

Cotto Pienza Accessories (codes available upon request)

30x30 cm 11.81"X11.81"	30x40 cm 11.81"X15.74"	30x60 cm 11.81"X23.62"	14.5X59 cm 5.70" x 23.22"	29.8x60 cm 11.73"x23.62"
MOSAIC 4.7X4.7	MOSAIC	MOSAIC	MOSAIC 14.5X59	STEP

FULL BODY PORCELAIN TILES | Matt • Rectified • Smooth

NAME	COLOR	SURFACE	60X120 cm 23.62"X47.24"	60X60 cm 23.62"X23.62"
COTTO PIENZA		LIGHT BROWN	MATT	A12GCTPZ-LBR.AOX5R / A06GCTPZ-LBR.AOX0R
		BROWN	MATT	A12GCTPZ-BRN.AOX5R / A06GCTPZ-BRN.AOX0R

8x60 cm 3.14"x23.62"	9.6x120 cm 3.77"x47.24"	30x120 cm 11.81"x47.24"	15x120 cm 5.90"x47.24"
SKIRTING	SKIRTING	STEP	RISER

COTTO PIENZA G

COTTO PIENZA WHITE

COTTO PIENZA NUT



-  **V2**
-  Wall
-  Floor
-  Domestic
-  Heavy Commercial Traffic Area
-  Outdoor
- R11**

COTTO PIENZA LIGHT BROWN

COTTO PIENZA BROWN



-  **V2**
-  Wall
-  Floor
-  Domestic
-  Heavy Commercial Traffic Area
-  Outdoor
- R11**

PORCELAIN TILES | Matt • Rectified • Smooth

NAME	COLOR	SURFACE	60X120 cm 23.62"X47.24"
COTTO PIENZA G	WHITE	MATT	A06GCTPG-WHEY0X7R
20 mm	NUT	MATT	A06GCTPG-NUTY0X7R

PORCELAIN TILES | Matt • Rectified • Smooth

NAME	COLOR	SURFACE	60X120 cm 23.62"X47.24"
COTTO PIENZA G	LIGHT BROWN	MATT	A06GCTPG-LBR.Y0X7R
20 mm	BROWN	MATT	A06GCTPG-BRNY0X7R

COTTO PIENZA G BRICK

SIGNATURE
COLLECTION

COTTO PIENZA G BRICK WHITE



COTTO PIENZA G BRICK CLAY



COTTO PIENZA G BRICK GREEN





COTTO PIENZA G BRICK NUT



COTTO PIENZA G BRICK BROWN



WHITE BODY CERAMIC TILES | Matt • Rectified • Light Structure

NAME	COLOR	SURFACE	6.5x26 cm 2.55"X9.64"
COTTO PIENZA G BRICK	 WHITE	MATT	A42WCTPB-WHE.M6X0U
	 CLAY	MATT	A42WCTPB-CLAM6X0U
	 GREEN	MATT	A42WCTPB-GREM6X0U
	 NUT	MATT	A42WCTPB-NUT.M6X0U
	 BROWN	MATT	A42WCTPB-BRN.M6X0U

COTTO PIENZA G BRICK DECOR

SIGNATURE
COLLECTION

COTTO PIENZA G BRICK WHITE DECOR



COTTO PIENZA G BRICK CLAY DECOR



COTTO PIENZA G BRICK GREEN DECOR



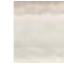
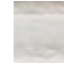
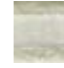


COTTO PIENZA G BRICK NUT DECOR



COTTO PIENZA G BRICK BROWN DECOR



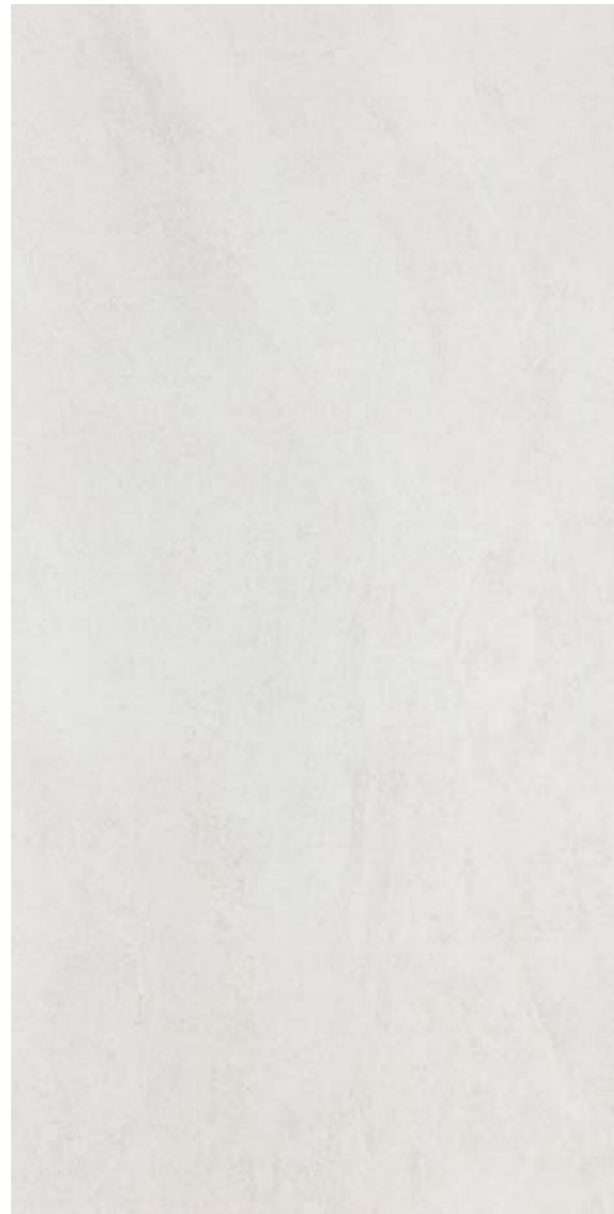
WHITE BODY CERAMIC TILES | Matt • Rectified • Light Structure

NAME	COLOR	SURFACE	6.5x26 cm 2.55"X9.64"
COTTO PIENZA G BRICK	 WHITE	MATT	A42WCTPB-WHE.MVX0U
	 CLAY	MATT	A42WCTPB-CLAMVX0U
	 GREEN	MATT	A42WCTPB-GRE.MVX0U
	 NUT	MATT	A42WCTPB-NUT.MVX0U
	 BROWN	MATT	A42WCTPB-BRN.MVX0U

CURTON

CURTON WHITE

CURTON GREY



- V2**
- Wall
- Floor
- Domestic
- Heavy Commercial Traffic Area
- R10**
A+B+C

INNOTECH

RAK CERAMICS
HIGH PERFORMANCE

RAK CERAMICS LAB

INNOTECH

RAK CERAMICS
CONTROLLED

RAK CERAMICS LAB

CURTON BEIGE

CURTON TAUPE



- V2**
- Wall
- Floor
- Domestic
- Heavy Commercial Traffic Area
- R10**
A+B+C

INNOTECH

RAK CERAMICS
HIGH PERFORMANCE

RAK CERAMICS LAB

INNOTECH

RAK CERAMICS
CONTROLLED

RAK CERAMICS LAB

FULL BODY PORCELAIN TILES | Matt • Rectified • Smooth

NAME	COLOR	SURFACE	60X120 cm 23.62"x47.24"	60X60 cm 23.62"x23.62"	30X60 cm 11.81"x23.62"	
CURTON		WHITE	MATT	A2B12PDCNWHMSS5R	A2B06PDCNWHMMSNLR	A2X29PDCNWHMMSNLR
		GREY	MATT	A2B12PDCNGRYMSS5R	A2B06PDCNGRYMMSNLR	A2X29PDCNGRYMMSNLR

Curton Accessories (codes available upon request)

30x30 cm 11.81"x11.81"	30x40 cm 11.81"x15.74"	30x60 cm 11.81"x23.62"	29.8x60 cm 11.73"x23.62"	8x60 cm 3.14"x23.62"
MOSAIC 4.7X4.7	MOSAIC	MOSAIC	STEP	SKIRTING

FULL BODY PORCELAIN TILES | Matt • Rectified • Smooth

NAME	COLOR	SURFACE	60X120 cm 23.62"x47.24"	60X60 cm 23.62"x23.62"	30X60 cm 11.81"x23.62"	
CURTON		BEIGE	MATT	A2B12PDCNBEEMSS5R	A2B06PDCNBEEMMSNLR	A2X29PDCNBEEMMSNLR
		TAUPE	MATT	A2B12PDCNTPMSS5R	A2B06PDCNTPMMSNLR	A2X29PDCNTPMMSNLR

9.6x120 cm 3.77"x47.24"	30x120 cm 11.81"x47.24"	15x120 cm 5.90"x47.24"
SKIRTING	STEP	RISER

CURTON DECOR

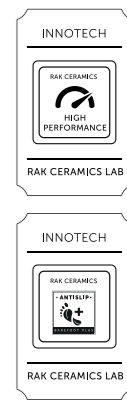
CURTON WHITE DECOR

CURTON GREY DECOR



CURTON BEIGE DECOR

CURTON TAUPE DECOR



FULL BODY PORCELAIN TILES | Matt • Rectified • Heavy Structure

NAME	COLOR	SURFACE	60X120 cm 23.62"X47.24"	60X60 cm 23.62"X23.62"
CURTON DECOR	WHITE	MATT	A2D12PDCNWHMMLSSR	A2D06PDCNWHMMLN1R
	GREY	MATT	A2D12PDCNGRYMMLSSR	A2D06PDCNGRYMMLN1R

FULL BODY PORCELAIN TILES | Matt • Rectified • Heavy Structure

NAME	COLOR	SURFACE	60X120 cm 23.62"X47.24"	60X60 cm 23.62"X23.62"
CURTON DECOR	BEIGE	MATT	A2D12PDCNBEEMMLSSR	A2D06PDCNBEEMMLN1R
	WHITE	MATT	A2D12PDCNWHMMLSSR	A2D06PDCNWHMMLN1R

MOON STONE

MOON STONE WHITE

MOON STONE GREY



V2

Wall

Floor

Domestic

Light Commercial

R10
A+B

Outdoor

R11

INNOTECH

RAK CERAMICS
ABSOLUTE MATT

RAK CERAMICS LAB

INNOTECH

RAK CERAMICS
ANTI-SLIP

RAK CERAMICS LAB

MOON STONE DARK GREY

MOON STONE BEIGE



V2

Wall

Floor

Domestic

Light Commercial

R10
A+B

Outdoor

R11

INNOTECH

RAK CERAMICS
ABSOLUTE MATT

RAK CERAMICS LAB

INNOTECH

RAK CERAMICS
ANTI-SLIP

RAK CERAMICS LAB

PORCELAIN TILES | Matt • Rectified • Smooth

NAME	COLOR	SURFACE	90X180 cm 35.43"X70.86"	120X120 cm 47.24"X47.24"	60X120 cm 23.62"X47.24"
MOON STONE	WHITE	MATT	A93GMOST-WHE.AOX5R	A22GMOST-WHE.AOX5R	A12GMOST-WHE.AOX5R
	GREY	MATT	A93GMOST-GRY.AOX5R	A22GMOST-GRY.AOX5R	A12GMOST-GRY.AOX5R

NAME	COLOR	SURFACE	60X120 cm 23.62"X47.24" 		
MOON STONE	WHITE	MATT	A12GMOST-WHEYOX7R		
 MOON STONE	GREY	MATT	A12GMOST-GRYYOX7R		

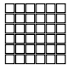
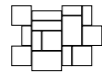



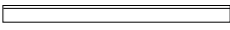


PORCELAIN TILES | Matt • Rectified • Smooth

NAME	COLOR	SURFACE	90X180 cm 35.43"X70.86"	120X120 cm 47.24"X47.24"	60X120 cm 23.62"X47.24"
MOON STONE	DARK GREY	MATT	A93GMOST-DKG.AOX5R	A22GMOST-DKG.AOX5R	A12GMOST-DKG.AOX5R
	BEIGE	MATT	A93GMOST-BEE.AOX5R	A22GMOST-BEE.AOX5R	A12GMOST-BEE.AOX5R

NAME	COLOR	SURFACE	60X120 cm 23.62"X47.24" 		
MOON STONE	DARK GREY	MATT	A12GMOST-DKG.YOX7R		
 MOON STONE	BEIGE	MATT	A12GMOST-BEE.YOX7R		

Stone

Moon Stone Accessories (codes available upon request)


30x30 cm 11.81"x11.81"	30x40 cm 11.81"x15.74"	30x60 cm 11.81"x23.62"	29.8x60 cm 11.73"x23.62"	8x60 cm 3.14"x23.62"
				
MOSAIC 4.7x4.7	MOSAIC	MOSAIC	STEP	SKIRTING
9.6x120 cm 3.77"x47.24"	30x120 cm 11.81"x47.24"	15x120 cm 5.90"x47.24"		
				
SKIRTING	STEP	RISER		

Moon Stone is also available in

MAXIMUS
MEGA SLAB

162X324 cm  **12 mm**
63.77"x127.55"

144X305 cm  **14 mm**
56.69"x120.07"

120X280 cm  **6 mm**
47.24"x110.23"








OROBICO

OROBICO GREY



SIGNATURE
COLLECTION

-  **V2**
-  Wall
-  Floor
-  Domestic
-  Light Commercial

PORCELAIN TILES | Polished • Rectified • Smooth

NAME	COLOR	SURFACE	90X180 cm 35.43"X70.86"	60X120 cm 23.62"X47.24"
------	-------	---------	----------------------------	----------------------------

OROBICO		GREY	POLISHED	A93GORBG-GRY.NOX5P	A12GORBG-GRY.NOX5P
---------	---	------	----------	--------------------	--------------------

NAME	COLOR	SURFACE	120X280 cm 47.24" x 110.23"	 6 mm
------	-------	---------	--------------------------------	--

OROBICO		GREY	POLISHED	A82GORBG-GRY.NOX6P
---------	---	------	----------	--------------------



PALEO

PALEO WHITE

PALEO GREY



-  **V2**
-  Wall
-  Floor
-  Domestic
-  Light Commercial
-  **R10**
A
-  Outdoor
-  **R11**
A+B



PALEO BEIGE



PALEO CLAY




-  **V2**
-  Wall
-  Floor
-  Domestic
-  Light Commercial
-  **R10**
A
-  Outdoor
-  **R11**
A+B



PORCELAIN TILES | Matt • Rectified • Smooth

NAME	COLOR	SURFACE	60X120 cm 23.62"X47.24"	60X60 cm 23.62"X23.62"	30X60 cm 11.81"X23.62"	
PALEO		WHITE	MATT	A12GPAEO-WHE.A0X5R	A06GPAEO-WHE.A0X0R	A09GPAEO-WHE.A0X0R
		GREY	MATT	-	A06GPAEO-GRY.A0X0R	A09GPAEO-GRY.A0X0R

NAME	COLOR	SURFACE	60X120 cm 23.62"X47.24"	60X60 cm 23.62"X23.62"	
PALEO 20 mm		WHITE	MATT	A12GPAEO-WHE.Y0X7R	A06GPAEO-WHE.Y0X7R
		GREY	MATT	A12GPAEO-GRY.Y0X7R	-

PORCELAIN TILES | Matt • Rectified • Smooth

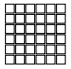
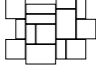



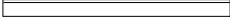


NAME	COLOR	SURFACE	60X120 cm 23.62"X47.24"	60X60 cm 23.62"X23.62"	30X60 cm 11.81"X23.62"	
PALEO		BEIGE	MATT	A12GPAEO-BEE.A0X5R	A06GPAEO-BEE.A0X0R	A09GPAEO-BEE.A0X0R
		CLAY	MATT	-	A06GPAEO-CL.A.A0X0R	A09GPAEO-CL.A.A0X0R

NAME	COLOR	SURFACE	60X120 cm 23.62"X47.24"	60X60 cm 23.62"X23.62"	
PALEO 20 mm		BEIGE	MATT	A12GPAEO-BEE.Y0X7R	A06GPAEO-BEE.Y0X7R
		CLAY	MATT	-	A06GPAEO-CLAY.Y0X7R

Stone

PALEO

Paleo Accessories (codes available upon request)

30x30 cm 11.81"x11.81"	30x40 cm 11.81"x15.74"	30x60 cm 11.81"x23.62"	29.8x60 cm 11.73"x23.62"	8x60 cm 3.14"x23.62"
				
MOSAIC 4.7X4.7	MOSAIC	MOSAIC	STEP	SKIRTING
9.6x120 cm 3.77"x47.24"	30x120 cm 11.81"x47.24"	15x120 cm 5.90"x47.24"		
				
SKIRTING	STEP	RISER		



PONTINO

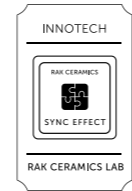
SIGNATURE COLLECTION

PONTINO IVORY

PONTINO BEIGE



-  **V2**
-  Wall
-  Floor
-  Domestic
-  Light Commercial
- R9**
-  Outdoor
- R11**



PORCELAIN TILES | Matt • Rectified • Smooth

NAME	COLOR	SURFACE	120X280 cm 47.24"x110.23" 9 mm	90X180 cm 35.43"x70.86"	120X120 cm 47.24"x47.24"
PONTINO	IVORY	MATT	A82GPNT0-IVO.M0X5R	A93GPNT0-IVO.M0X5R	A22GPNT0-IVO.M0X5R
	BEIGE	MATT	A82GPNT0-BEE.M0X5R	A93GPNT0-BEE.M0X5R	A22GPNT0-BEE.M0X5R

NAME	COLOR	SURFACE	60X120 cm 23.62"x47.24"	60X60 cm 23.62"x23.62"
PONTINO	IVORY	MATT	A12GPNT0-IVO.M0X5R	A06GPNT0-IVO.M0X0R
	BEIGE	MATT	A12GPNT0-BEE.M0X5R	A06GPNT0-BEE.M0X0R

PONTINO DECOR

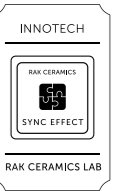
SIGNATURE COLLECTION

PONTINO IVORY DECOR

PONTINO BEIGE DECOR



-  **V2**
-  Wall
-  Floor
-  Domestic
-  Light Commercial
- R9**



PORCELAIN TILES | Matt • Rectified • Smooth

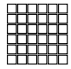
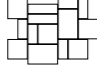



NAME	COLOR	SURFACE	60X120 cm 23.62"x47.24"
PONTINO DECOR	IVORY	MATT	A12GPNT0-IVOMVX5R
	BEIGE	MATT	A12GPNT0-BEEMVX5R

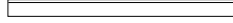


NAME	COLOR	SURFACE	60X120 cm 23.62"x47.24"
PONTINO 20 mm	IVORY	MATT	A12GPNT0-IVO.Y0X7R
	BEIGE	MATT	A12GPNT0-BEE.Y0X7R

PONTINO

SIGNATURE
COLLECTION

Pontino Accessories (codes available upon request)


30x30 cm 11.81"x11.81"	30x40 cm 11.81"x15.74"	30x60 cm 11.81"x23.62"	29.8x60 cm 11.73"x23.62"	8x60 cm 3.14"x23.62"
				
MOSAIC 4.7X4.7	MOSAIC	MOSAIC	STEP	SKIRTING

9.6x120 cm 3.77"x47.24"	30x120 cm 11.81"x47.24"	15x120 cm 5.90"x47.24"
		
SKIRTING	STEP	RISER

Pontino ivory is also available in

MAXIMUS
MEGA SLAB

144X305 cm  **14 mm**
56.69"x120.07"

120X280 cm  **6 mm**
47.24"x110.23"



PORDOI STONE

PORDOI STONE LIGHT GREY



PORDOI STONE GREY





-  **V2**
-  Wall
-  Floor
-  Domestic
-  Light Commercial
- R10**
-  Outdoor
- R11**



PORDOI STONE BEIGE



-  **V2**
-  Wall
-  Floor
-  Domestic
-  Light Commercial
- R10**
-  Outdoor
- R11**


PORCELAIN TILES | Matt • Rectified • Light Structure

NAME	COLOR	SURFACE	80X80 cm 31.49"X31.49"	60X120 cm 23.62"X47.24"	60X60 cm 23.62"X11.81"
PORDOI STONE	 LIGHT GREY	MATT	A05GPODI-LIG.A6X0R	A12GPODI-LIG.A6X5R	A06GPODI-LIG.A6X0R
	 GREY	MATT	A05GPODI-GRY.A6X0R	A12GPODI-GRY.A6X5R	A06GPODI-GRY.A6X0R

NAME	COLOR	SURFACE	60X120 cm 23.62"X47.24"	80X80 cm 31.49"X31.49"
PORDOI STONE 20 mm	 LIGHT GREY	MATT	A12GPODI-LIG.Y6X7R	A05GPODI-LIG.Y6X7R
	 GREY	MATT	A12GPODI-GRY.Y6X7R	A05GPODI-GRY.Y6X7R

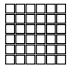
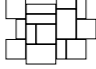



PORCELAIN TILES | Matt • Rectified • Light Structure

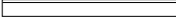
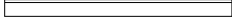


NAME	COLOR	SURFACE	80X80 cm 31.49"X31.49"	60X120 cm 23.62"X47.24"	60X60 cm 23.62"X11.81"
PORDOI STONE	 BEIGE	MATT	A05GPODI-BEE.A6X0R	A12GPODI-BEE.A6X5R	A06GPODI-BEE.A6X0R

NAME	COLOR	SURFACE	60X120 cm 23.62"X47.24"	80X80 cm 31.49"X31.49"
PORDOI STONE 20 mm	 BEIGE	MATT	A12GPODI-BEE.Y6X7R	A05GPODI-BEE.Y6X7R

PORDOI STONE

Pordoi Stone Accessories (codes available upon request)

30x30 cm 11.81"x11.81"	30x40 cm 11.81"x15.74"	30x60 cm 11.81"x23.62"	29.8x60 cm 11.73"x23.62"	8x60 cm 3.14"x23.62"
				
MOSAIC 4.7X4.7	MOSAIC	MOSAIC	STEP	SKIRTING

9.6x80 cm 3.77"x31.49"	9.6x120 cm 3.77"x47.24"	30x120 cm 11.81"x47.24"	15x120 cm 5.90"x47.24"
			
SKIRTING	SKIRTING	STEP	RISER



PORTLAND STONE CROSS CUT

PORTLAND STONE CROSS CUT WHITE

PORTLAND STONE CROSS CUT GREIGE



PORCELAIN TILES | Matt • Rectified • Smooth

NAME	COLOR	SURFACE	120X280 cm 47.24"x110.23" 9 mm	90X180 cm 35.43"x70.86"	120X120 cm 47.24"x47.24"
PORTLAND STONE CROSS CUT	WHITE	MATT	A82GPSCR-WHE.AOX5R	A93GPSCR-WHE.AOX5R	A22GPSCR-WHE.AOX5R
	GREIGE	MATT	A82GPSCR-GRG.AOX5R	A93GPSCR-GRG.AOX5R	A22GPSCR-GRG.AOX5R

NAME	COLOR	SURFACE	60X120 cm 23.62"x47.24"
PORTLAND STONE CROSS CUT	WHITE	MATT	A12GPSCR-WHE.AOX5R
	GREIGE	MATT	A12GPSCR-GRG.AOX5R

PORTLAND STONE CROSS CUT DECOR

PORTLAND STONE CROSS CUT WHITE DECOR

PORTLAND STONE CROSS CUT GREIGE DECOR



PORCELAIN TILES | Matt • Rectified • Heavy Structure

NAME	COLOR	SURFACE	60X120 cm 23.62"x47.24"
PORTLAND STONE CROSS CUT DECOR	WHITE	MATT	A12GPSCR-WHE.ALX5R
	GREIGE	MATT	A12GPSCR-GRG.ALX5R

NAME	COLOR	SURFACE	60X120 cm 23.62"x47.24"
PORTLAND STONE CROSS CUT 20 mm	WHITE	MATT	A12GPSCR-WHE.YOX7R
	GREIGE	MATT	A12GPSCR-GRG.YOX7R

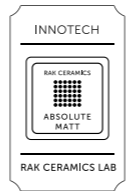
PORTLAND STONE VEIN CUT

PORTLAND STONE VEIN CUT WHITE

PORTLAND STONE VEIN CUT GREIGE



-  **V2**
-  Wall
-  Floor
-  Domestic
-  Light Commercial
-  **R10**
A+B
-  Outdoor
-  **R11**



PORTLAND STONE VEIN CUT DECOR

PORTLAND STONE VEIN CUT WHITE DECOR

PORTLAND STONE VEIN CUT GREIGE DECOR



-  **V2**
-  Wall
-  Floor
-  Domestic
-  Light Commercial
-  **R10**
A+B

STONE

PORCELAIN TILES | Matt • Rectified • Smooth

NAME	COLOR	SURFACE	120X280 cm 47.24"x110.23" 9 mm	90X180 cm 35.43"x70.86"	120X120 cm 47.24"x47.24"
PORTLAND STONE VEIN CUT	WHITE	MATT	A82GPSVE-WHE.AOX5R	A93GPSVE-WHE.AOX5R	A22GPSVE-WHE.AOX5R
	GREIGE	MATT	A82GPSVE-GRG.AOX5R	A93GPSVE-GRG.AOX5R	A22GPSVE-GRG.AOX5R

NAME	COLOR	SURFACE	60X120 cm 23.62"x47.24"
PORTLAND STONE VEIN CUT	WHITE	MATT	A12GPSVE-WHE.AOX5R
	GREIGE	MATT	A12GPSVE-GRG.AOX5R

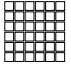
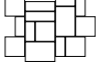






PORCELAIN TILES | Matt • Rectified • Heavy Structure

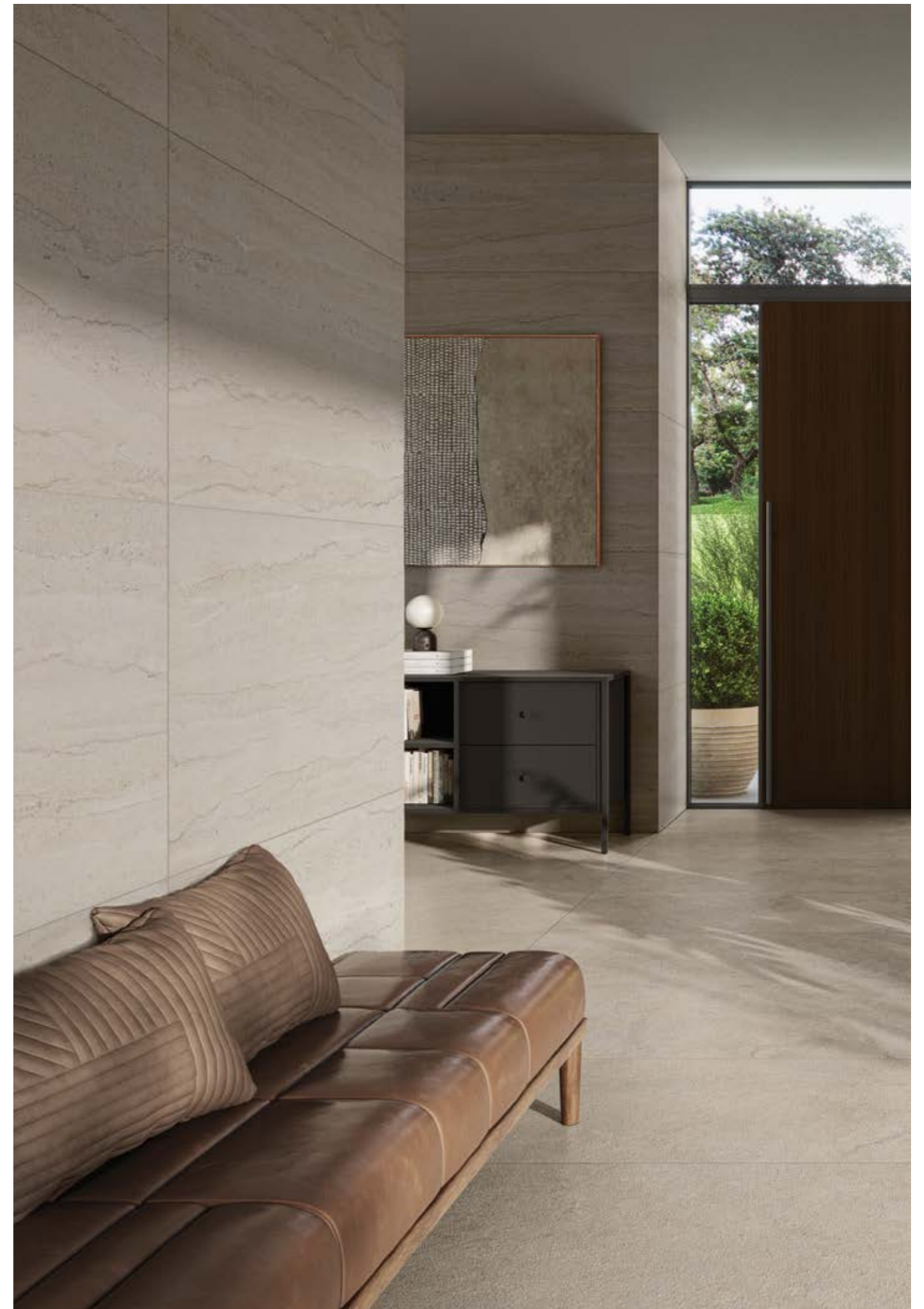
NAME	COLOR	SURFACE	60X120 cm 23.62"x47.24"
PORTLAND STONE VEIN CUT DECOR	WHITE	MATT	A12GPSVE-WHE.ALX5R
	GREIGE	MATT	A12GPSVE-GRG.ALX5R

NAME	COLOR	SURFACE	60X120 cm 23.62"x47.24"
PORTLAND STONE VEIN CUT 20 mm	WHITE	MATT	A12GPSVE-WHE.YOX7R
	GREIGE	MATT	A12GPSVE-GRG.YOX7R

PORTLAND STONE

Portland Stone Accessories (codes available upon request)

30x30 cm 11.81"x11.81"	30x40 cm 11.81"x15.74"	30x60 cm 11.81"x23.62"	29.8x60 cm 11.73"x23.62"	8x60 cm 3.14"x23.62"
				
MOSAIC 4.7X4.7	MOSAIC	MOSAIC	STEP	SKIRTING
9.6x120 cm 3.77"x47.24"	30x120 cm 11.81"x47.24"	15x120 cm 5.90"x47.24"		
				
SKIRTING	STEP	RISER		



TRAVERTINE CROSS CUT

TRAVERTINE CROSS CUT WHITE

TRAVERTINE CROSS CUT GREY



V2

Wall

Floor

Domestic

Light Commercial

R9

Outdoor

R11

INNOTECH

RAK CERAMICS

SYNC EFFECT

RAK CERAMICS LAB

TRAVERTINE CROSS CUT IVORY

TRAVERTINE CROSS CUT BEIGE



V2

Wall

Floor

Domestic

Light Commercial

R9

Outdoor

R11

INNOTECH

RAK CERAMICS

SYNC EFFECT

RAK CERAMICS LAB

PORCELAIN TILES | Matt • Rectified • Smooth

NAME	COLOR	SURFACE	120X280 cm 47.24" x 110.23" 9 mm	90x180 cm 35.43" x 70.86"	120X120 cm 47.24" x 47.24"
TRAVERTINE CROSS CUT	WHITE	MATT	-	A93GTVCR-WHE.MOX5R	A22GTVCR-WHE.MOX5R
	GREY	MATT	-	A93GTVCR-GRY.MOX5R	A22GTVCR-GRY.MOX5R

NAME	COLOR	SURFACE	60X120 cm 23.62" x 47.24"	60X60 cm 23.62" x 23.62"
TRAVERTINE CROSS CUT	WHITE	MATT	A12GTVCR-WHE.MOX5R	A06GTVCR-WHE.MOX0R
	GREY	MATT	A12GTVCR-GRY.MOX5R	A06GTVCR-GRY.MOX0R

PORCELAIN TILES | Matt • Rectified • Smooth

NAME	COLOR	SURFACE	120X280 cm 47.24" x 110.23" 9 mm	90x180 cm 35.43" x 70.86"	120X120 cm 47.24" x 47.24"
TRAVERTINE CROSS CUT	IVORY	MATT	A82GTVCR-IVO.MOX5R	A93GTVCR-IVO.MOX5R	A22GTVCR-IVO.MOX5R
	BEIGE	MATT	-	A93GTVCR-BEE.MOX5R	A22GTVCR-BEE.MOX5R


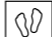




NAME	COLOR	SURFACE	60X120 cm 23.62" x 47.24"	60X60 cm 23.62" x 23.62"
TRAVERTINE CROSS CUT	IVORY	MATT	A12GTVCR-IVO.MOX5R	A06GTVCR-IVO.MOX0R
	BEIGE	MATT	A12GTVCR-BEE.MOX5R	A06GTVCR-BEE.MOX0R

TRAVERTINE CROSS CUT

TRAVERTINE CROSS CUT GREY

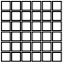
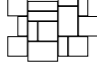



TRAVERTINE CROSS CUT IVORY

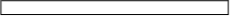




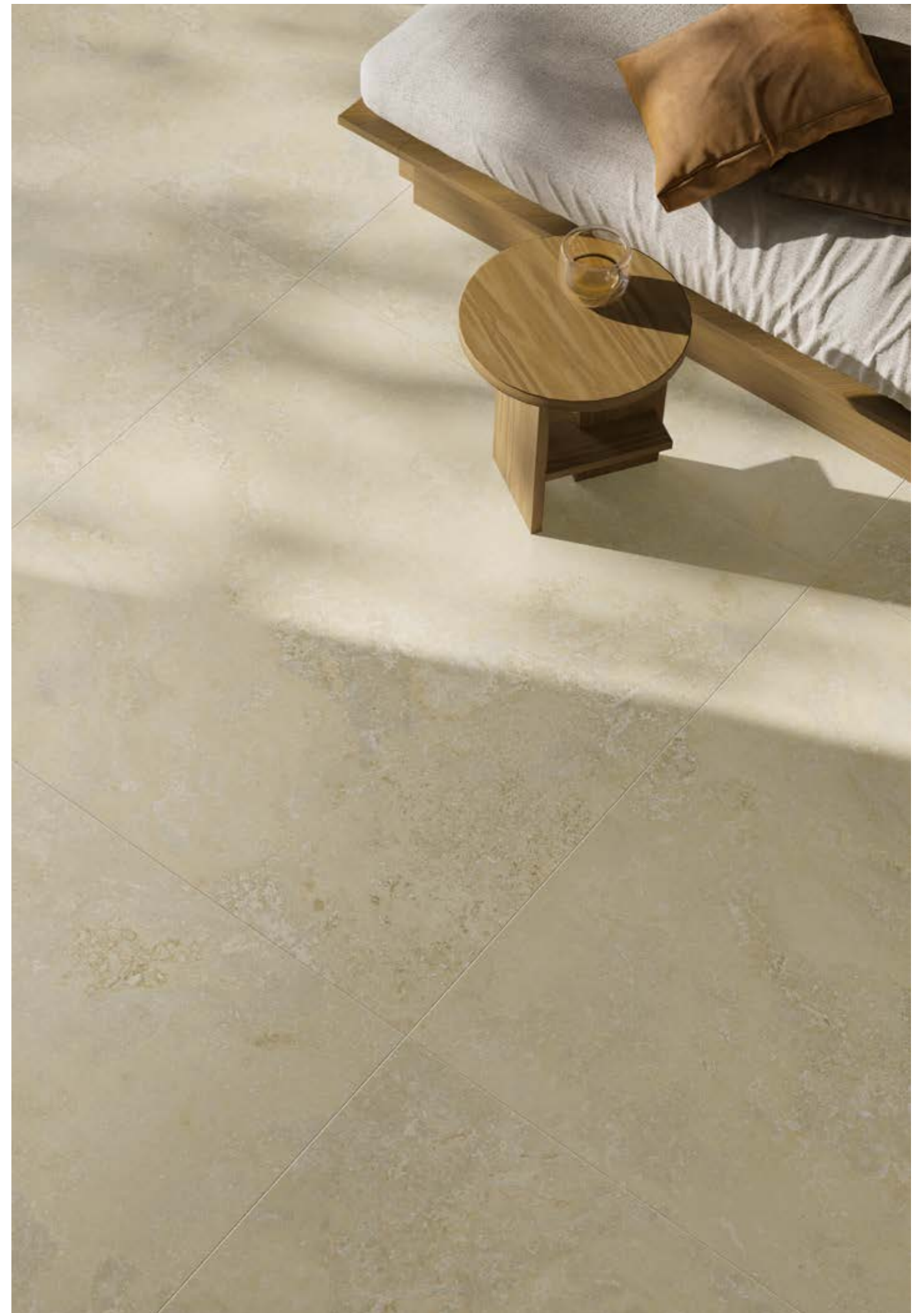
-  **V2**
-  Floor
-  Domestic
-  Light Commercial
-  Outdoor
- R11**
- INNOTECH**
- 
- RAK CERAMICS LAB

NAME	COLOR	SURFACE	60X120 cm 23.62"x47.24"
TRAVERTINE CROSS CUT	GREY	MATT	A12GTVCR-GRY0X7R
20 mm	IVORY	MATT	A12GTVCR-IV0Y0X7R

Travertine Cross Cut Accessories (codes available upon request)

30x30 cm 11.81"x11.81"	30x40 cm 11.81"x15.74"	30x60 cm 11.81"x23.62"	29.8x60 cm 11.73"x23.62"	8x60 cm 3.14"x23.62"
				
MOSAIC 4.7X4.7	MOSAIC	MOSAIC	STEP	SKIRTING

9.6x120 cm 3.77"x47.24"	30x120 cm 11.81"x47.24"	15x120 cm 5.90"x47.24"
		
SKIRTING	STEP	RISER



MIX & MATCH

BALTICO

Baltico beige,
Baltico grey,
Essential wood natural



CARMO STONE

Carmo stone black,
Ceppo di gre light grey,
Creative concrete p brick white



COTTO PIENZA

Cotto pienza nut,
Cotto pienza brick nut base,
Cotto pienza brick nut base décor
Line wood beige



CURTON

Curton gray lines
Curton white
Curton grey



CEPPO DI GRE' STONE

Ceppo di gre' stone mid grey,
Ceppo di gre' stone light grey,
Essential wood taupe,
Creative concrete p brick anthracite



CITY STONE

City stone bone,
Travertine crosscut ivory



MOON STONE

Moonstone grey,
Cristal white, *Grey antique,
Grey stone,
Papyrus wood ivory



OROBICO

Orobico,
*Pietrasanta marble,
Marakkesh ash



MIX & MATCH

PALEO

Paleo white,
Paleo beige,
Calacatta gold



PONTINO

Pontino ivory
Granito blu ande
Sapien wood honey



PORTLAND STONE VEIN

Portland stone veincut greige,
Creative concrete p brick coral,
Portland stone crosscut greige



TRAVERTINE CROSS CUT

Travertine crosscut beige,
Travertine crosscut ivory,
Pontino beige décor



PORDOI STONE

Pordoi stone light grey,
Sapien wood brown,
Cotto pienza brick clay



PORTLAND STONE CROSS CUT

Portland stone crosscut white,
Portland stone crosscut greige,
Portland stone veincut white,
Creative concrete p brick white



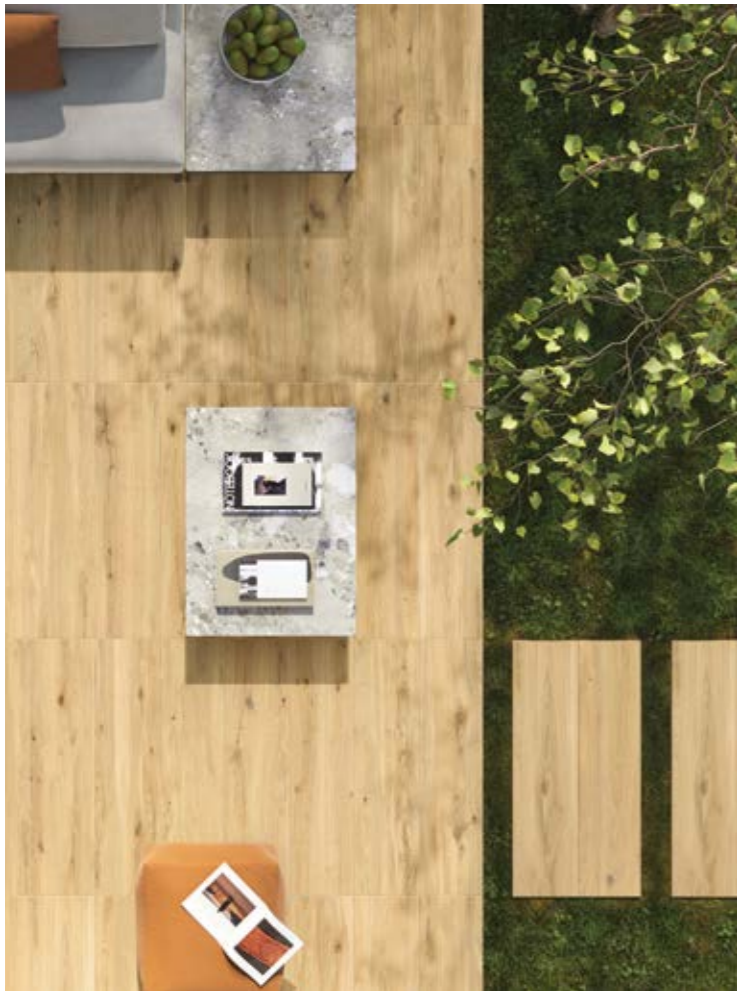


Wood

Be inspired by wood effect tiles

Natural-looking tiles are one of the key trends for indoor and outdoor floor and wood is one of the most popular choice thanks to its versatility and beauty. Combining the aesthetic quality of natural timber with the durability of porcelain tiles, wood effect tiles are the perfect option when replacing a floor in a renovation project or laying a new floor in a newly built property, as it helps in creating your own personal style.

Parquet floor tiles can give any room the elegant look of hardwood, in an eco-friendly new way. It's waterproof, highly resistant to scratches and chemicals, easy to clean and resistant to heat and frost. It definitely looks like a good idea!



ESSENTIAL WOOD

ESSENTIAL WOOD NATURAL

ESSENTIAL WOOD TAUPE



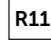


-  **V2**
-  Wall
-  Floor
-  Domestic
-  Light Commercial
-  **R10**
A+B
-  Outdoor
-  **R11**



ESSENTIAL WOOD NATURAL




ESSENTIAL WOOD TAUPE






-  **V2**
-  Outdoor
-  **R11**

PORCELAIN TILES | Matt • Rectified • Light Structure

NAME	COLOR	SURFACE	19.5x120 cm 7.67" x 47.24"
ESSENTIAL WOOD	 NATURAL	MATT	A99GESTW#NURA6X5R
	 TAUPE	MATT	A99GESTW#TPEA6X5R

NAME	COLOR	SURFACE	29.5x120 cm 11.61" x 47.24" 
ESSENTIAL WOOD 20 mm	 NATURAL	MATT	AGXZZESTWNUR060177
	 TAUPE	MATT	AGXZZESTWTPE060176

PORCELAIN TILES | Matt • Rectified • Light Structure

NAME	COLOR	SURFACE	60X120 cm 23.62" x 47.24" 
ESSENTIAL WOOD 20 mm	 NATURAL	MATT	A12GESTW-NURY6X7R
	 TAUPE	MATT	A12GESTW-TPEY6X7R

LINE WOOD

LINE WOOD IVORY

LINE WOOD NUT






-  **V2**
-  Wall
-  Floor
-  Domestic
-  Light Commercial
- R9**
-  Outdoor
- R11**



LINE WOOD IVORY



LINE WOOD NUT





-  **V2**
-  Outdoor
- R11**
-  **20 mm**

PORCELAIN TILES | Matt • Rectified • Light Structure

NAME	COLOR	SURFACE	19.5x120 cm 7.67"x47.24"	
LINE WOOD		IVORY	MATT	A99GZLNW#IV0W2S5R
		NUT	MATT	A99GZLNW#NU0W2S5R

NAME	COLOR	SURFACE	29.5x120 cm 11.61"x47.24"	
LINE WOOD 20 mm		IVORY	MATT	AGXZZLNVIVO085742
		NUT	MATT	AGXZZLNVNUT085743

PORCELAIN TILES | Matt • Rectified • Light Structure

NAME	COLOR	SURFACE	60x120 cm 23.62"x47.24"	
LINE WOOD 20 mm		IVORY	MATT	A12GZLNW-IVOY6X7R
		NUT	MATT	A12GZLNW-NUTY6X7R

LINE WOOD

LINE WOOD BEIGE

LINE WOOD DARK BEIGE





-  **V2**
-  Wall
-  Floor
-  Domestic
-  Light Commercial
- R9**
-  Outdoor
- R11**

LINE WOOD BEIGE



LINE WOOD DARK BEIGE






-  **V2**
-  Outdoor
- R11**




WOOD

PORCELAIN TILES | Matt • Rectified • Light Structure

NAME	COLOR	SURFACE	19.5x120 cm 7.67" x 47.24"	
LINE WOOD		BEIGE	MATT	A99GZLNW#BE0W2S5R
		DARK BEIGE	MATT	A99GZLNW#DBEW2S5R

NAME	COLOR	SURFACE	29.5x120 cm 11.61" x 47.24" 	
LINE WOOD 20 mm		BEIGE	MATT	AGXZZLNWBEE085740
		DARK BEIGE	MATT	AGXZZLNWDBE085741

PORCELAIN TILES | Matt • Rectified • Light Structure

NAME	COLOR	SURFACE	60X120 cm 23.62" x 47.24" 	
LINE WOOD 20 mm		BEIGE	MATT	A12GZLNW-BEEY6X7R
		DARK BEIGE	MATT	A12GZLNW-DBEY6X7R

LINE WOOD

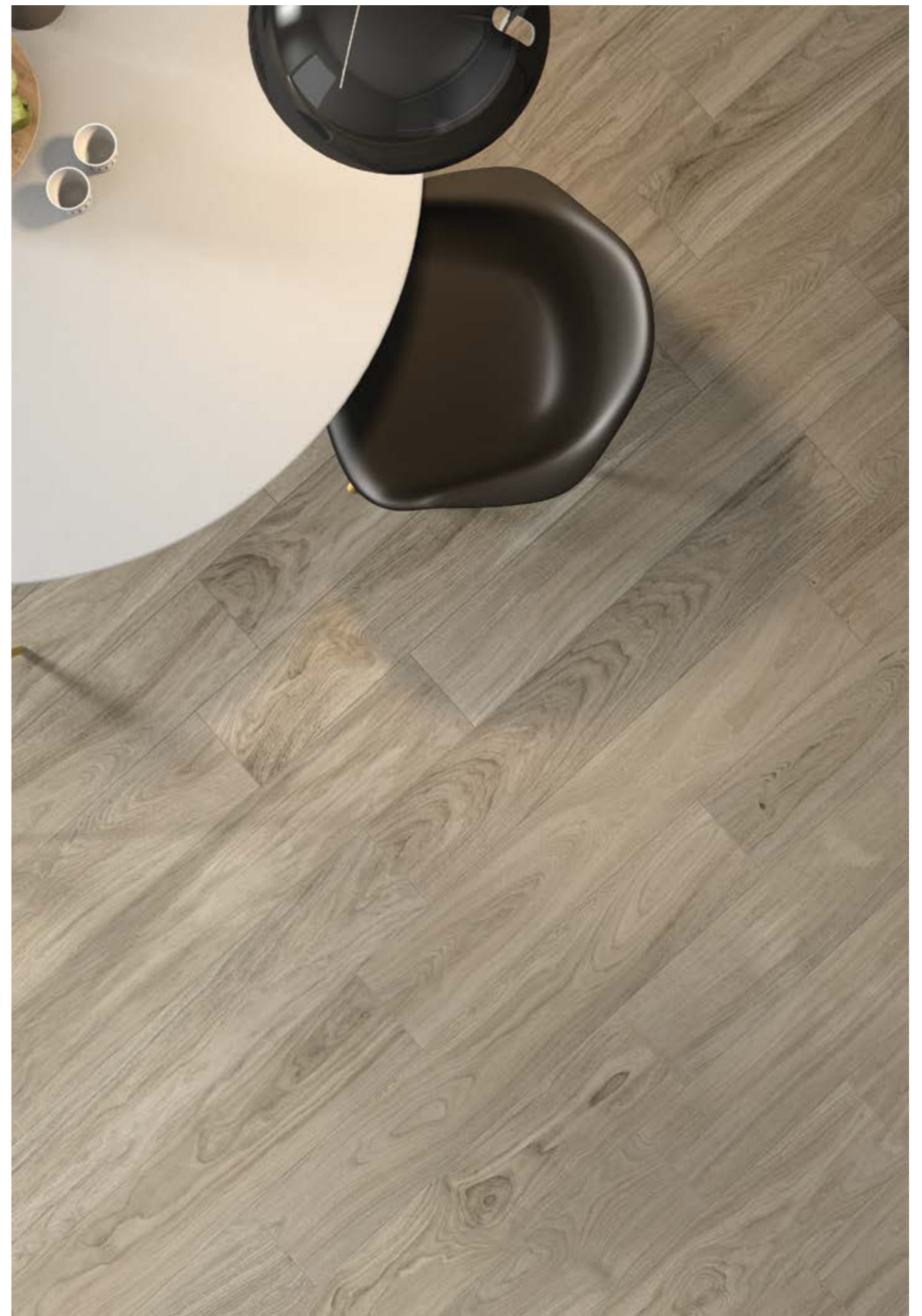
LINE WOOD BROWN



-  **V2**
-  Wall
-  Floor
-  Domestic
-  Light Commercial
- R9**

PORCELAIN TILES | Matt • Rectified • Light Structure

NAME	COLOR	SURFACE	195X120 cm 7.67"X4.724"
LINE WOOD	BROWN	MATT	A99GZLNW#BROW2S5R



PAPYRUS WOOD

PAPYRUS WOOD IVORY



PAPYRUS WOOD BROWN



-  **V2**
-  Wall
-  Floor
-  Domestic
-  Light Commercial
- R10**

PAPYRUS WOOD NUT



papyrus wood design variations 60x60 cm









FACE A

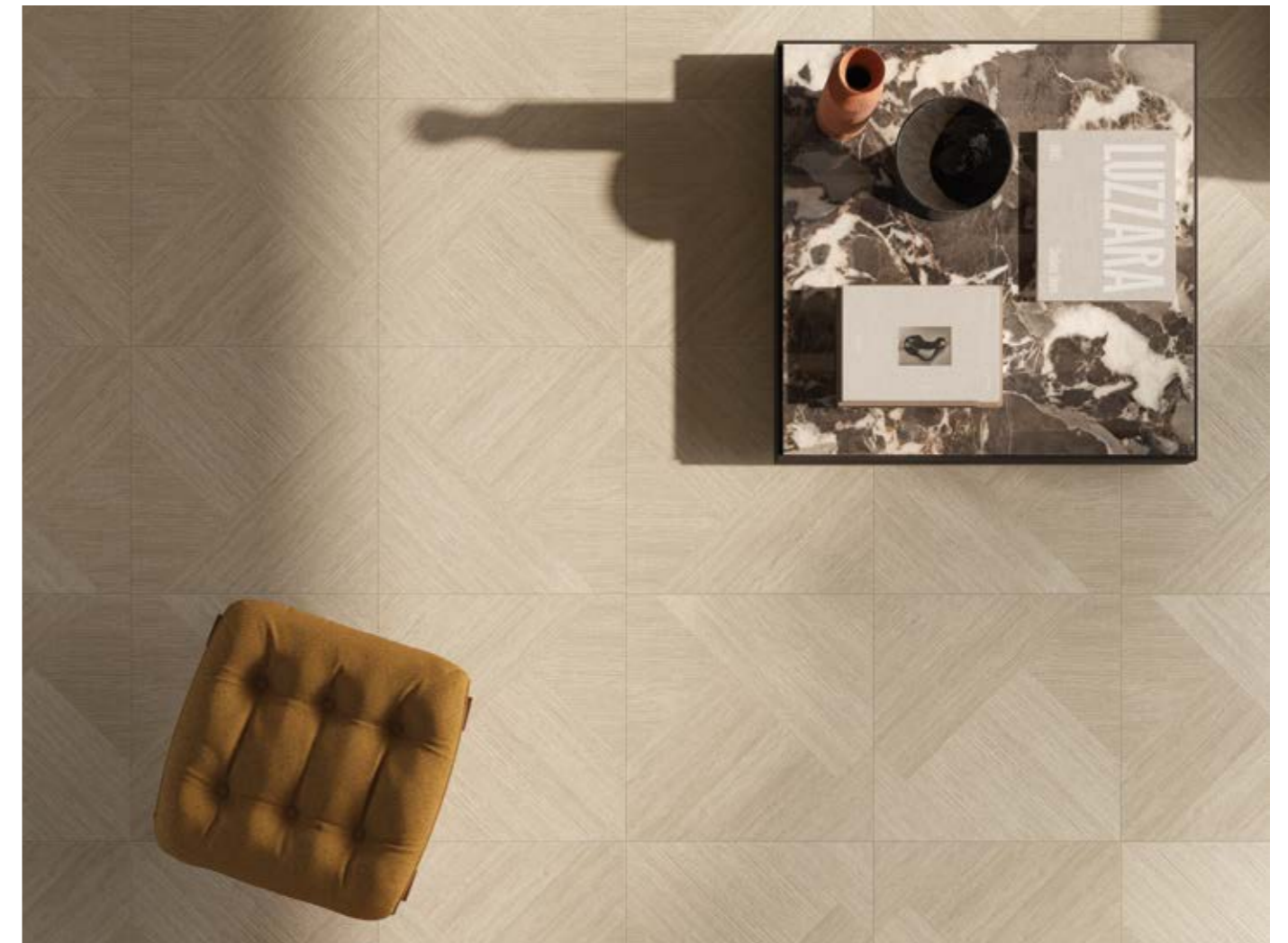
FACE B

Pattern



PORCELAIN TILES | Matt • Rectified • Heavy Structure

NAME	COLOR	SURFACE	60X60 cm 23.62"X23.62"
PAPYRUS WOOD	 IVORY - FACE A	MATT	A06GPPYW-IVO.A7A0R
	 IVORY - FACE B	MATT	A06GPPYW-IVO.A7B0R
	 BROWN - FACE A	MATT	A06GPPYW-BRN.A7A0R
	 BROWN - FACE B	MATT	A06GPPYW-BRN.A7B0R
	 NUT - FACE A	MATT	A06GPPYW-NUT.A7A0R
	 NUT - FACE B	MATT	A06GPPYW-NUT.A7B0R



SAPIEN WOOD

SAPIEN WOOD NATURAL



-  **V2**
-  Wall
-  Floor
-  Domestic
-  Light Commercial
-  **R10**
A+B
-  Outdoor
-  **R11**

SAPIEN WOOD NATURAL




SAPIEN WOOD NATURAL DECOR



-  **V2**
-  Wall
-  Floor
-  Domestic
-  Light Commercial
-  **R10**
A+B
-  Outdoor
-  **R11**

PORCELAIN TILES | Matt • Rectified • Light Structure

NAME	COLOR	SURFACE	19.5X120 cm 7.67"X47.24"	29.5X180 cm 11.61"X70.86"
SAPIEN WOOD		NATURAL	MATT	A99GSPNW#NURA6X5R


NAME	COLOR	SURFACE	29.5X120 cm 11.61"X47.24"	
SAPIEN WOOD		NATURAL	MATT	ACXZZSPNWNUR084619

Sapien Wood is also available in

MAXIMUS
MEGA SLAB

- 162X324 cm  12 mm
- 120X280 cm  6 mm

PORCELAIN TILES | Matt • Rectified • Light Structure / Heavy Structure

NAME	COLOR	SURFACE	90X180 cm 35.43"X 70.86"	60X120 cm 23.62"X47.24"
SAPIEN WOOD DECOR		NATURAL	MATT	A93GSPNW-NURALX5R

NAME	COLOR	SURFACE	60X120 cm 23.62"X47.24"	
SAPIEN WOOD		NATURAL	MATT	A12GSPNW-NURY6X7R

SAPIEN WOOD

SAPIEN WOOD HONEY



-  **V2**
-  Wall
-  Floor
-  Domestic
-  Light Commercial
-  **R10**
A+B
-  Outdoor
-  **R11**

SAPIEN WOOD HONEY



SAPIEN WOOD HONEY DECOR



-  **V2**
-  Wall
-  Floor
-  Domestic
-  Light Commercial
-  **R10**
A+B
-  Outdoor
-  **R11**

PORCELAIN TILES | Matt • Rectified • Light Structure

NAME	COLOR	SURFACE	19.5X120 cm 7.67"X47.24"	29.5X180 cm 11.61"X70.86"
SAPIEN WOOD		HONEY	MATT	A99GSPNW#HNY.A6X5R


NAME	COLOR	SURFACE	29.5X120 cm 11.61"X47.24"	
SAPIEN WOOD		HONEY	MATT	ACXZZSPNWHNY084618

Sapien Wood is also available in

MAXIMUS
MEGA SLAB

- 162X324 cm**  12 mm
- 120X280 cm**  6 mm

PORCELAIN TILES | Matt • Rectified • Light Structure / Heavy Structure

NAME	COLOR	SURFACE	90X180 cm 35.43"X 70.86"	60X120 cm 23.62"X47.24"
SAPIEN WOOD DECOR		HONEY	MATT	A93GSPNW-HNY.ALX5R

NAME	COLOR	SURFACE	60X120 cm 23.62"X47.24"	
SAPIEN WOOD		HONEY	MATT	A12GSPNW-HNY.Y6X7R

SAPIEN WOOD

SAPIEN WOOD BROWN



-  **V2**
-  Wall
-  Floor
-  Domestic
-  Light Commercial
-  **R10**
A+B
-  Outdoor
-  **R11**

SAPIEN WOOD BROWN




-  **V2**
-  Wall
-  Floor
-  Domestic
-  Light Commercial
-  **R10**
A+B
-  Outdoor
-  **R11**

SAPIEN WOOD BROWN DECOR



PORCELAIN TILES | Matt • Rectified • Light Structure

NAME	COLOR	SURFACE	19.5X120 cm 7.67"X47.24"	29.5X180 cm 11.61"X70.86"
SAPIEN WOOD		BROWN	MATT	A99GSPNW#BRN.A6X5R

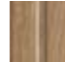
NAME	COLOR	SURFACE	29.5X120 cm 11.61"X47.24"	
SAPIEN WOOD		BROWN	MATT	ACXZZSPNWBRN084617

Sapien Wood is also available in

MAXIMUS
MEGA SLAB

- 162X324 cm  12 mm
- 120X280 cm  6 mm

PORCELAIN TILES | Matt • Rectified • Light Structure / Heavy Structure

NAME	COLOR	SURFACE	90X180 cm 35.43"X 70.86"	60X120 cm 23.62"X47.24"
SAPIEN WOOD DECOR		BROWN	MATT	A93GSPNW-BRN.ALX5R

NAME	COLOR	SURFACE	60X120 cm 23.62"X47.24"	
SAPIEN WOOD		BROWN	MATT	A12GSPNW-BRN.Y6X7R

SIGURT WOOD

SIGURT WOOD AFRICAN ASH



SIGURT WOOD SIBERIAN GREY





-  **V2**
-  Wall
-  Floor
-  Domestic
-  Light Commercial
- R9**
-  Outdoor
- R11**

SIGURT WOOD AFRICAN ASH





SIGURT WOOD SIBERIAN GREY





-  **V2**
-  Outdoor
- R11**



WOOD

PORCELAIN TILES | Matt • Rectified • Light Structure

NAME	COLOR	SURFACE	19.5x120 cm 7.67" x 47.24"	
SIGURT WOOD		AFRICAN ASH	MATT	AGX2HSGWDAFAZMHS5R
		SIBERIAN GREY	MATT	AGX2HSGWDSGRZMHS5R

NAME	COLOR	SURFACE	29.5x120 cm 11.61" x 47.24"	
SIGURT WOOD 20 mm		AFRICAN ASH	MATT	AGXZZSGWDAFA085749
		SIBERIAN GREY	MATT	AGXZZSGWDSGR085751

PORCELAIN TILES | Matt • Rectified • Light Structure

NAME	COLOR	SURFACE	60X120 cm 23.62" x 47.24"	
SIGURT WOOD 20 mm		AFRICAN ASH	MATT	A12GSGWD-AFA.Y6X7R
		SIBERIAN GREY	MATT	A12GSGWD-SGR.Y6X7R

SIGURT WOOD

SIGURT WOOD SCANDINAVIAN OAK



-  **V2**
-  Wall
-  Floor
-  Domestic
-  Light Commercial
- R9**
-  Outdoor
- R11**

PORCELAIN TILES | Matt • Rectified • Light Structure

NAME	COLOR	SURFACE	19.5X120 cm 7.67"X47.24"
------	-------	---------	-----------------------------

SIGURT WOOD	 SCANDINAVIAN OAK	MATT	AGX2HSGWDSAKZMHS5R
-------------	--	------	--------------------

NAME	COLOR	SURFACE	29.5x120 cm 11.61"x47.24"	60X120 cm 23.62"X47.24"
------	-------	---------	------------------------------	----------------------------

SIGURT WOOD 20 mm	 SCANDINAVIAN OAK	MATT	AGXZZSGWDSAK085750	A12GSGWD-SAKY6X7R
-----------------------------	--	------	--------------------	-------------------



MIX & MATCH

ESSENTIAL WOOD

Essential wood natural
Calacatta imperial



LINE WOOD

Line wood brown,
Fantastic green,
calacatta verde



SIGURT WOOD

Sigurt wood African ash,
Baltico light grey,
Ceppo di gre mid grey



PAPYRUS WOOD

Papyrus wood ivory,
Moonstone grey,
Cristal white, Grey antique,
Grey stone,



SAPIEN WOOD

Sapien wood décor honey
Sapien wood honey
Flake stone





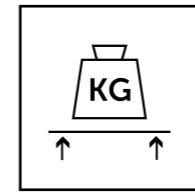
Redefining Outdoor Living with RAK Ceramics solutions

Give your outdoor spaces a new look. Sustainable and adaptable, porcelain and ceramic tiles are the ideal choice to design or revamp gardens, patios, terraces, driveways or pool areas. The different installation possibilities allows the material to blend in with its surrounding landscape.

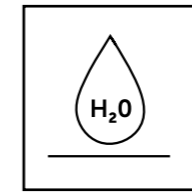
You can choose a 20mm solution, an antislip normal thickness tile, a special antislip A+B+C product or 13/12mm ceramic tiles. Imagine your outdoor space.



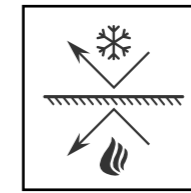
TECHNICAL PLUS FACTORS



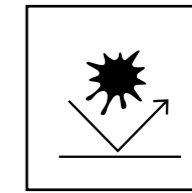
BENDING AND
BREAKING
STRENGTH
RESISTANT



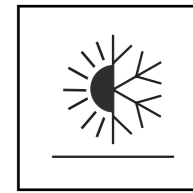
WATER
ABSORPTION
RESISTANT



FROST AND FIRE
RESISTANT



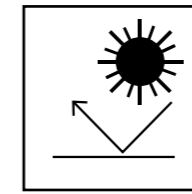
STAIN RESISTANT



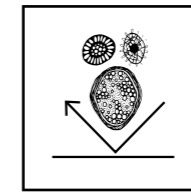
THERMAL SHOCK
RESISTANT



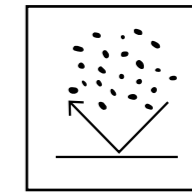
SLIP
RESISTANCE
R11 - C(A+B+C)



NO DISCOLOURING
WITH EXPOSURE
TO LIGHT



MOULDS, MOSS
AND VEROIGRIS
RESISTANT



SALT RESISTANT

KLIMA
INNOVATION AND SUSTAINABILITY

Klima is a new generation ceramic that, thanks to special materials, is able to resist to cold or warm temperatures according to individual needs and to keep the same temperature as the surrounding environment.



INDOOR

Klima retains room heat and releases it over the entire surface, producing a warmer feel than a standard floor. Ideal for surfaces that provide a wood-like effect, imparting a warmth and a comfort to be experienced.



OUTDOOR

Klima resists to the heat from sunlight and remains cool and pleasant to walk on with bare feet. Even with significant sun exposure, the surface is not burning hot and floor keeps the same temperature as the surrounding environment.



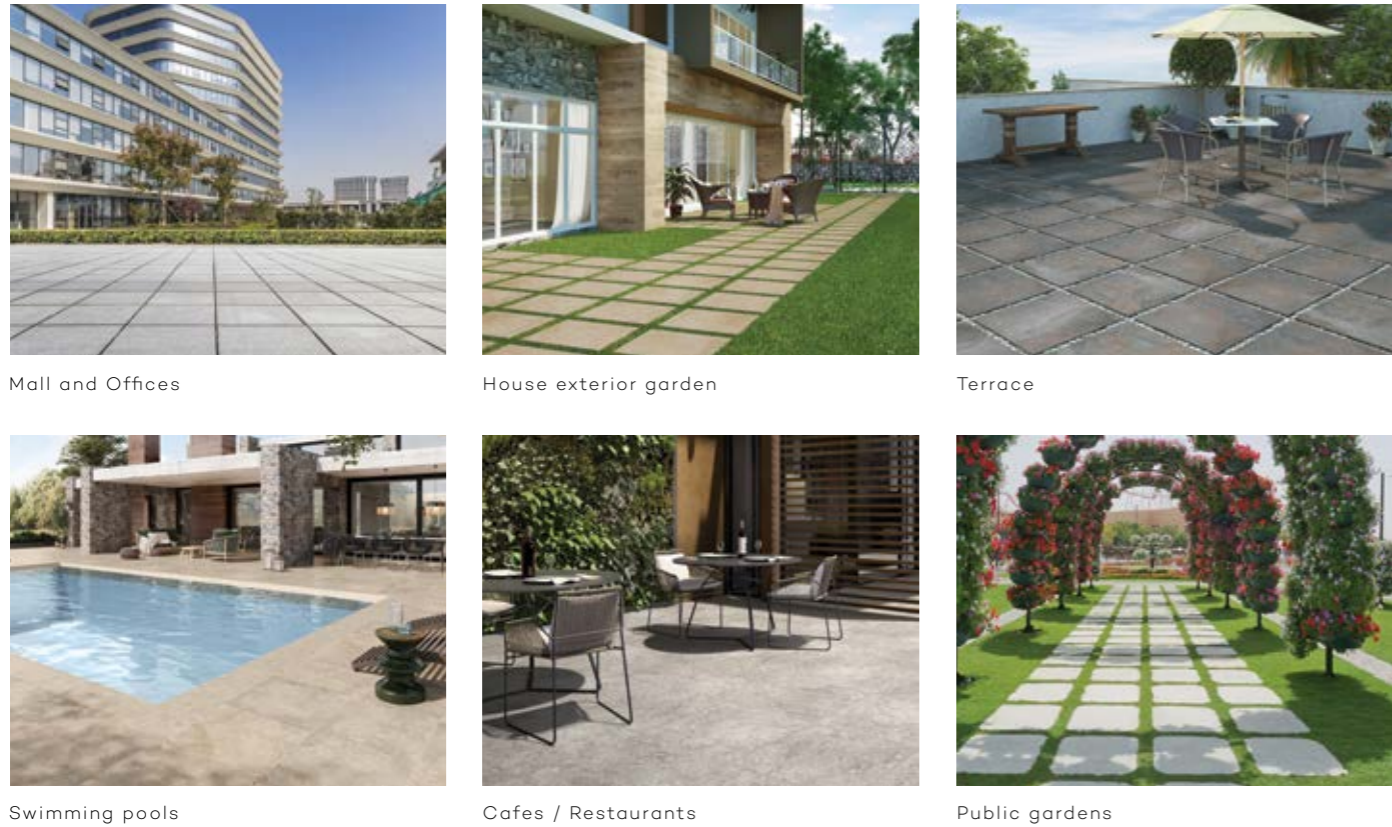
FAÇADE

On ventilated external façades, Klima helps limit heat dispersion while maintaining a steady indoor temperature. An innovative solution that helps reduce room energy demands.

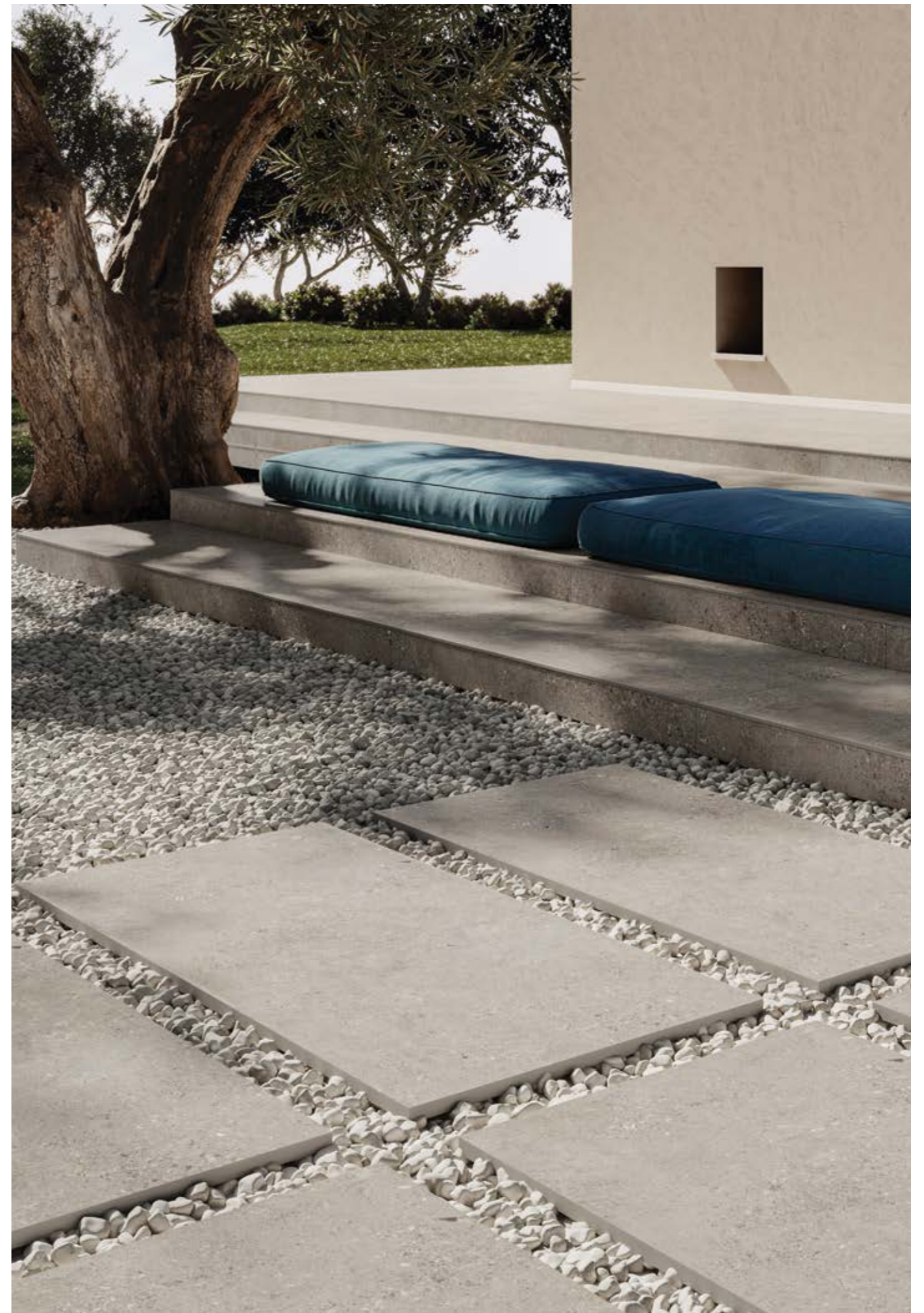
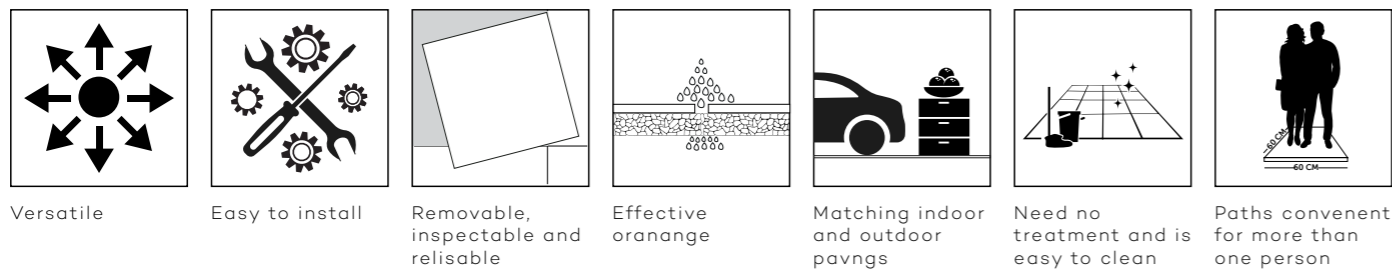
APPLICATIONS



The extra thick tiles are ideal for installation on any outdoor areas such as :



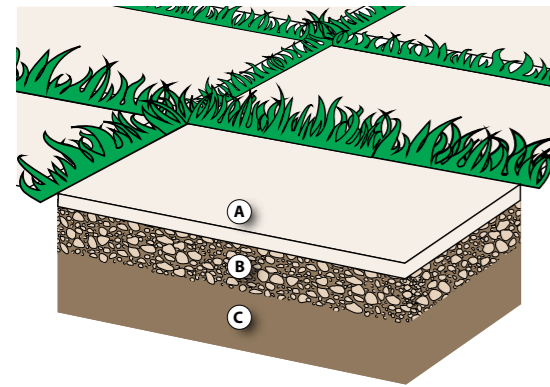
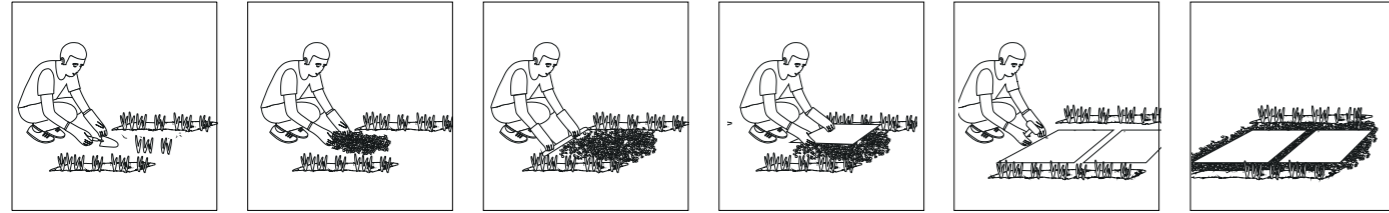
PRACTICAL PLUS FACTORS



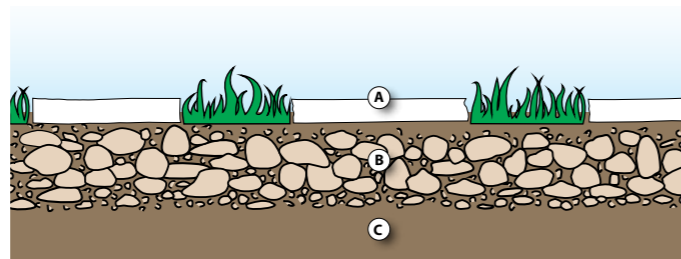
DIRECT INSTALLATION ON GRASS

Ideal for: Gardens, gazebos, walkways.

- 1- Remove the soil below the area where the sheet will be laid to a thickness of about 5-6 cm
- 2- apply gravel to a thickness of about 3-4 cm and compact the foundation
- 3- Rest the sheets - with at least 1 cm of gap - on the gravel bed and use a rubber hammer to eliminate any unevenness.



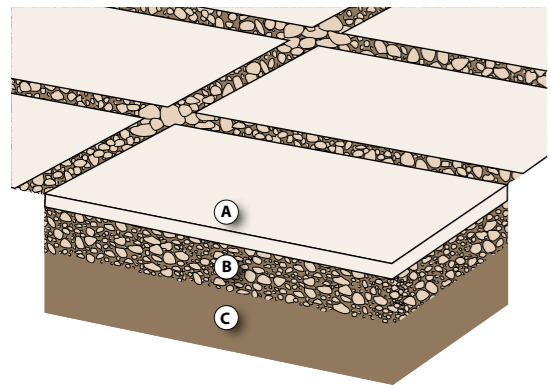
- A. Tile
- B. Fine gravel or sandy laying bed
- C. Ground



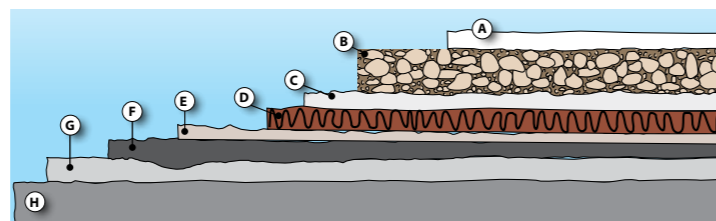
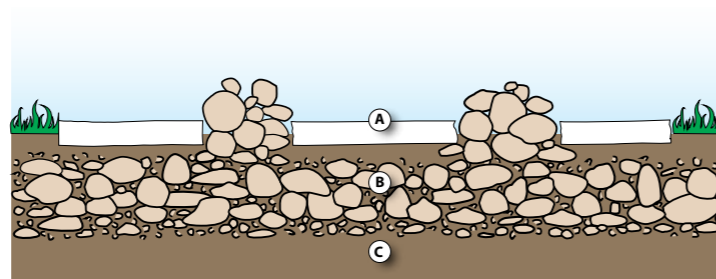
INSTALLATION ON GRAVEL AND SAND

Ideal for: gardens, patios, courtyards, pedestrian walkways, beach resorts, perimeter areas in pools.

- 1- Compact the level of the resting layer (sand or gravel)
- 2- Lay the sheet on the bed of gravel or sand, maintaining a minimum gap of 1 cm or wider
- 3- Use a rubber hammer to eliminate any unevenness
- 4- Fill in the joints between the sheets with gravel or sand to provide greater stability to the surface



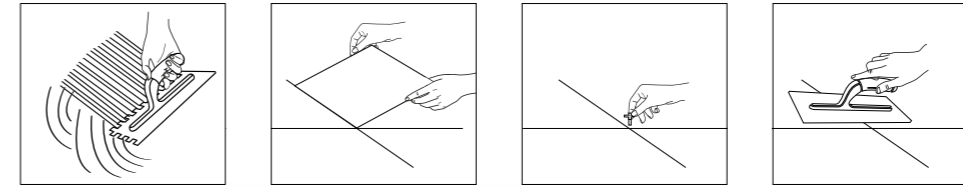
- A. Tile
- B. Fine gravel or sandy laying bed
- C. Concrete screed (may include electro welded mesh)



INSTALLATION ON SCREED WITH ADHESIVE

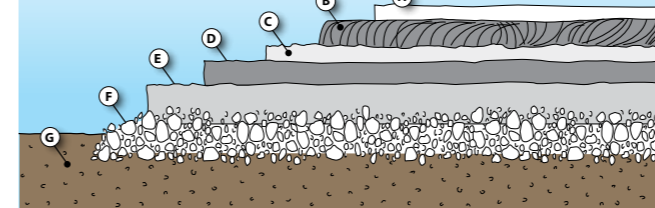
Ideal for: Terraces, indoor areas, high traffic areas

- 1- Create a screed to the proper standard, which may or may not be waterproofed depending on requirement.
- 2- Apply the adhesive evenly (apply to both the screed and the slab if heavy loads are expected).
- 3- Lay the slabs using cross spacers to create suitable joints (for unrectified products, a joint of at least 5 mm is required).
- 4- Create expansion and separation joints suitable for the location and the size of the area to be covered.



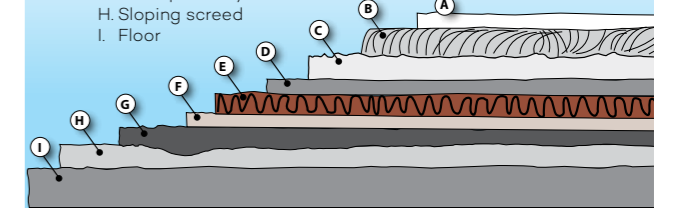
Examples of laying on a soil with adhesive

- A. Tile
- B. Adhesive
- C. Concrete screed (may include electro welded mesh)
- D. Reinforcement layer
- E. Concrete screed
- F. Loose stone foundation (gravel)
- G. Soil



Example of laying on a cement with adhesive

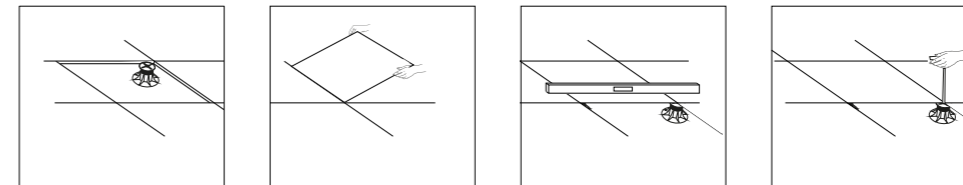
- A. Tile
- B. Adhesive
- C. Concrete screed
- D. Separation layer
- E. Thermal insulation element
- F. Vapour barrier
- G. Waterproof layer
- H. Sloping screed
- I. Floor



INSTALLATION ON FIXED OR ADJUSTABLE FEET

Ideal for: Offices, Terrace, places to hide pipes or cables.

- 1- Check that the substrate is flat, firm, rigid and able to support the weight of the paving without deformation.
- 2- Choose suitable pedestals, polypropylene feet and other system are available in the market
- 3- Give the surface of the paving a suitable gradient to ensure effective stormwater drainage
- 4- Follow the instruction of the chosen system





Ceramic Surface

The only limit is imagination

With the continuous innovation in ceramic technology and research, all type of surfaces can now be reproduced : natural wood effect, ceramic wallpaper, metal effect, concrete coatings and more.

Our ceramic tile collections meet the latest trends, achieving original and eye-catching aesthetic results, with a wide range of structures and colors: from the latest pastel tones to the most intense material effects.



BLACK IRON

BLACK IRON ANTHRACITE



Smooth

BLACK IRON LIGHT GREY



Smooth

BLACK IRON ANTHRACITE DECOR

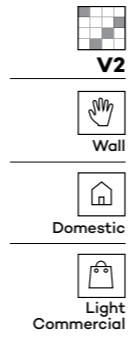


Heavy Structure

BLACK IRON LIGHT GREY DECOR

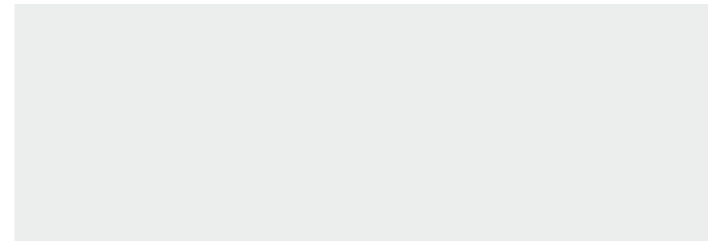


Heavy Structure



MATERIA

MATERIA WHITE

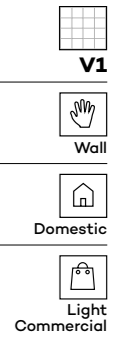


Smooth



MATERIA WHITE GEOMETRIC DECOR





Heavy Structure

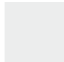



WHITE BODY CERAMIC TILES | Matt • Rectified • Smooth / Heavy Structure

NAME	COLOR	SURFACE	39x117 cm 15.35"x46.03"
BLACK IRON	 ANTHRACITE	MATT	A45RBKIR-ANT.MOXOR
	 LIGHT GREY	MATT	A45RBKIR-LIG.MOXOR

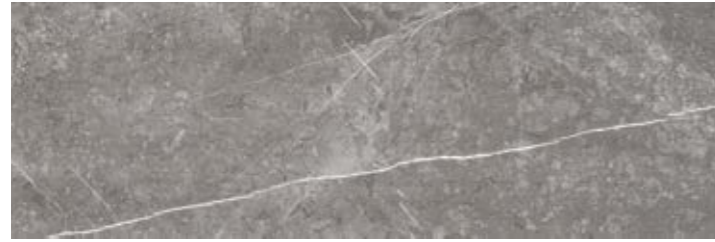
NAME	COLOR	SURFACE	39x117 cm 15.35"x46.03"
BLACK IRON	 ANTHRACITE	MATT	A45RBKIR-ANT.MNXOR
	 LIGHT GREY	MATT	A45RBKIR-LIG.MNXOR

WHITE BODY CERAMIC TILES | Matt • Rectified • Smooth / Heavy Structure

NAME	COLOR	SURFACE	39x117 cm 15.35"x46.03"
MATERIA	 WHITE	MATT	A45RMATE-WHE.KOXOR
	 WHITE GEOMETRIC DECOR	MATT	A45RMATE-WHE.KGXOR

PETRA STONE

PETRA STONE GREY







PETRA STONE LIGHT GREY



PETRA STONE LIGHT GREY DECOR



-  **V2**
-  Wall
-  Domestic
-  Light Commercial

RED BODY CERAMIC TILES | Matt • Rectified • Smooth

WHITE BODY CERAMIC TILES | Matt • Rectified • Smooth

NAME	COLOR	SURFACE	39x117 cm 15.35"x46.03"
	GREY	MATT	A45RPERA-GRY.MOXOR
PETRA STONE	LIGHT GREY	MATT	A45RPERA-LIG.MOXOR
	LIGHT GREY DECOR	MATT	A45RPERA-LIG.MDXOR



SOFT STONE

SOFT STONE BEIGE



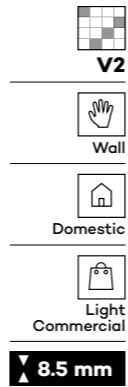
SOFT STONE GREY







SOFT STONE LIGHT BEIGE



SOFT STONE LIGHT GREY



WHITE BODY CERAMIC TILES | Matt • Rectified • Smooth

NAME	COLOR	SURFACE	39x117 cm 15.35"x46.03"	
SOFT STONE		BEIGE	MATT	A45RSFTO-BEEMOXOR
		GREY	MATT	A45RSFTO-GRYMOXOR
		LIGHT BEIGE	MATT	A45RSFTO-LBEMOXOR
		LIGHT GREY	MATT	A45RSFTO-LIGMOXOR

SOFT STONE DECOR

SOFT STONE BEIGE LINE DECOR



Heavy Structure

SOFT STONE GREY LINE DECOR



Heavy Structure

SOFT STONE LIGHT BEIGE DECOR

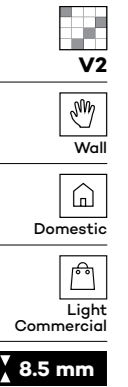


Smooth





SOFT STONE LIGHT GREY DECOR



Smooth



WHITE BODY CERAMIC TILES | Matt • Rectified • Smooth / Heavy Structure

NAME	COLOR	SURFACE	39x117 cm 15.35"x46.03"	
SOFT STONE DECOR		BEIGE LINE DECOR	MATT	A45RSFTO-BEE.MLXOR
		GREY LINE DECOR	MATT	A45RSFTO-GRY.MLXOR
		LIGHT BEIGE DECOR	MATT	A45RSFTO-LBE.MDXOR
		LIGHT GREY DECOR	MATT	A45RSFTO-LIG.MDXOR

BELLA CONCRETE

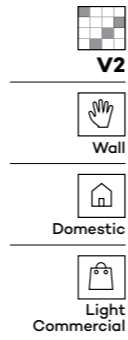
BELLA CONCRETE IVORY



BELLA CONCRETE WHITE

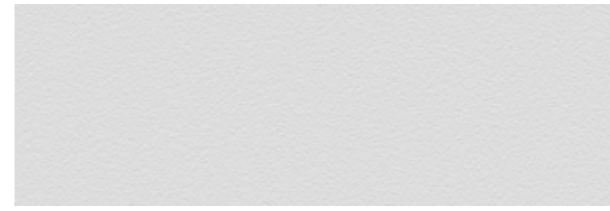


BELLA CONCRETE WHITE DECOR



MARE

MARE OFF WHITE



MARE LIGHT BLUE



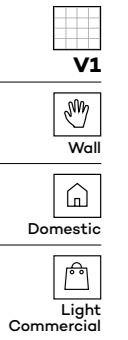
MARE BEIGE






MARE ROSE








MARE SEA GREEN



RED BODY CERAMIC TILES | Matt • Rectified • Smooth / Heavy Structure

NAME	COLOR	SURFACE	30x90 cm 11.81"x35.43"
BELLA CONCRETE	 IVORY	MATT	A39RBLCT-IVOMOXOR
	 WHITE	MATT	A39RBLCT-WHEMOXOR
	 WHITE DECOR	MATT	A39RBLCT-WHEMSXOR

RED BODY CERAMIC TILES | Matt • Rectified • Light Structure

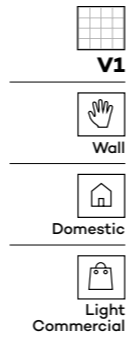
NAME	COLOR	SURFACE	30x90 cm 11.81"x35.43"
MARE	 BEIGE	MATT	A39RMARE-BEE.M6XOR
	 LIGHT BLUE	MATT	A39RMARE-LIB.M6XOR
	 OFF-WHITE	MATT	A39RMARE-OWH.M6XOR
	 ROSE	MATT	A39RMARE-RSE.M6XOR
	 SEA GREEN	MATT	A39RMARE-SEG.M6XOR

SPATULA

SPATULA WHITE



SPATULA TORTORA



SPATULA DENIM BLUE



SPATULA TURQUOISE



SPATULA BEIGE



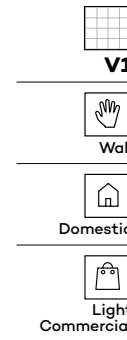
SPATULA TERRA COTTA



SPATULA WHITE DECOR



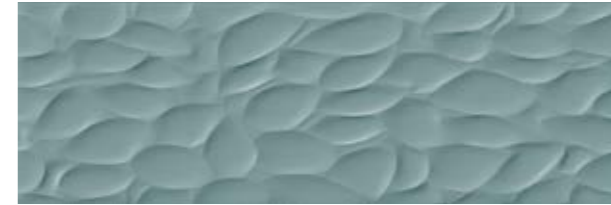
SPATULA TORTORA DECOR



SPATULA DENIM DECOR



SPATULA TURQUOISE DECOR









SPATULA BEIGE DECOR









SPATULA TERRA COTTA DECOR



RED BODY CERAMIC TILES | Matt • Rectified • Light Structure

NAME	COLOR	SURFACE	30x90 cm 11.81"x35.43"	
SPATULA		WHITE	MATT	A39RSPTL-WHE.M6XOR
		TORTORA	MATT	A39RSPTL-TOR.M6XOR
		DENIM BLUE	MATT	A39RSPTL-DMB.M6XOR
		TURQUISE	MATT	A39RSPTL-TQS.M6XOR
		BEIGE	MATT	A39RSPTL-BEE.M6XOR
		TERRA COTTA	MATT	A39RSPTL-TCOM6XOR

RED BODY CERAMIC TILES | Matt • Rectified • Heavy Structure

NAME	COLOR	SURFACE	30x90 cm 11.81"x35.43"	
SPATULA DECOR		WHITE	MATT	A39RSPTL-WHE.MJXOR
		TORTORA	MATT	A39RSPTL-TOR.MJXOR
		DENIM BLUE	MATT	A39RSPTL-DMB.MJXOR
		TURQUISE	MATT	A39RSPTL-TQS.MJXOR
		BEIGE	MATT	A39RSPTL-BEE.MJXOR
		TERRA COTTA	MATT	A39RSPTL-TCO.MJXOR

TRAMA

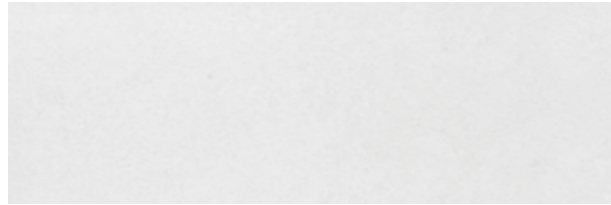
TRAMA BEIGE



TRAMA BEIGE SQUARE DECOR



TRAMA BONE



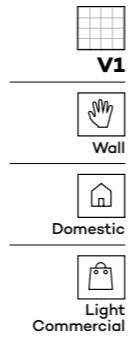
TRAMA BONE LINE DECOR



TRAMA GREY



TRAMA MIX DECOR



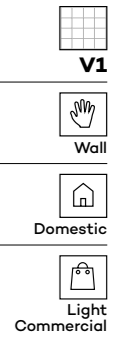
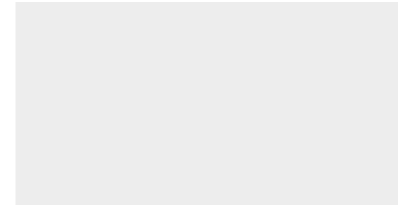
RED BODY CERAMIC TILES | Matt • Rectified • Smooth / Heavy Structure

NAME	COLOR	SURFACE	30x90 cm 11.81"x35.43"	
TRAMA		BEIGE	MATT	A39RTRMA-BEEMOXOR
		BONE	MATT	A39RTRMA-BNEMOXOR
		GREY	MATT	A39RTRMA-GRYMOXOR

NAME	COLOR	SURFACE	30x90 cm 11.81"x35.43"	
TRAMA DECOR		BEIGE SQUARE DECOR	MATT	A39RTRMA-BEEMAXOR
		BONE LINE DECOR	MATT	A39RTRMA-BNEMLXOR
		MIX DECOR	MATT	A39RTRMA-MS2MDXOR

14000

14000 WHITE



RED BODY CERAMIC TILES | Matt / Glossy • Rectified • Smooth

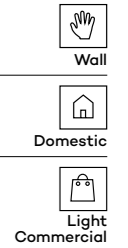
NAME	COLOR	SURFACE	30x60 cm 11.81"x23.62"
14000		GLOSSY	A14R1400-WHOGOR
		MATT	A14R1400-WHOMOR

BREVIARA

BREVIARA GREY



BREVIARA GREY MOSAIC DECOR



RED BODY CERAMIC TILES | Glossy • Rectified • Smooth / Light Structure

NAME	COLOR	SURFACE	30x60 cm 11.81"x23.62"	
BREVIARA		GREY	GLOSSY	A14RZBRE-GYOGOR
		GREY MOSAIC DECOR	GLOSSY	A14RZBRE-GYOGRR

FUME

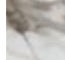

FUME WHITE



FUME WHITE LINE DECOR

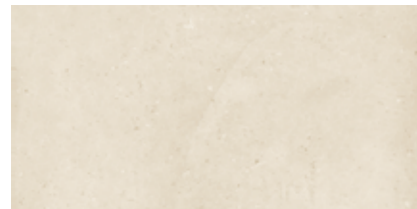


RED BODY CERAMIC TILES | High Glossy • Rectified • Smooth / Light Structure

NAME	COLOR	SURFACE	30x60 cm 11.81"x23.62"
BREVIARA	 WHITE	HIGH GLOSSY	A14RZFUM-WHO.HOR
	 WHITE LINE DECOR	HIGH GLOSSY	A14RZFUM-WHO.HLR

STROMBOLI



STROMBOLI LIGHT BEIGE



STROMBOLI LIGHT GREY



RED BODY CERAMIC TILES | Matt • Rectified • Smooth

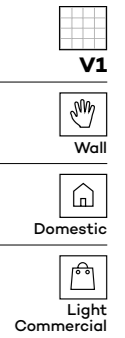
NAME	COLOR	SURFACE	30x60 cm 11.81"x23.62"
STROMBOLI	 LIGHT BEIGE	MATT	A14RSRLI-LBE.MOXOR
	 LIGHT GREY	MATT	A14RSRLI-LIG.MOXOR

METROPOL

METROPOL BEIGE



METROPOL IVORY




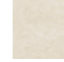

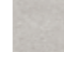
METROPOL LIGHT GREY



METROPOL MID GREY



RED BODY CERAMIC TILES | Matt • Rectified • Smooth

NAME	COLOR	SURFACE	30x60 cm 11.81"x23.62"
METROPOL	 BEIGE	Matt	A14RZMPL-BEE.MOXOR
	 IVORY	Matt	A14RZMPL-IV0.MOR
	 LIGHT GREY	Matt	A14RZMPL-LIG.MOXOR
	 MID GREY	Matt	A14RZMPL-MGYMOR

HYDO

SKY BLUE



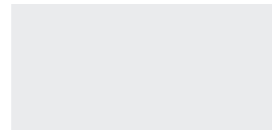
matt / glossy

NAVY BLUE



matt / glossy

WHITE



matt / glossy

GREY



matt / glossy

BEIGE



matt / glossy

SKY BLUE DOTTED



matt light structure

NAVY BLUE DOTTED



matt light structure

WHITE DOTTED



matt light structure

GREY DOTTED

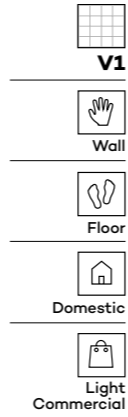


matt light structure

BEIGE DOTTED

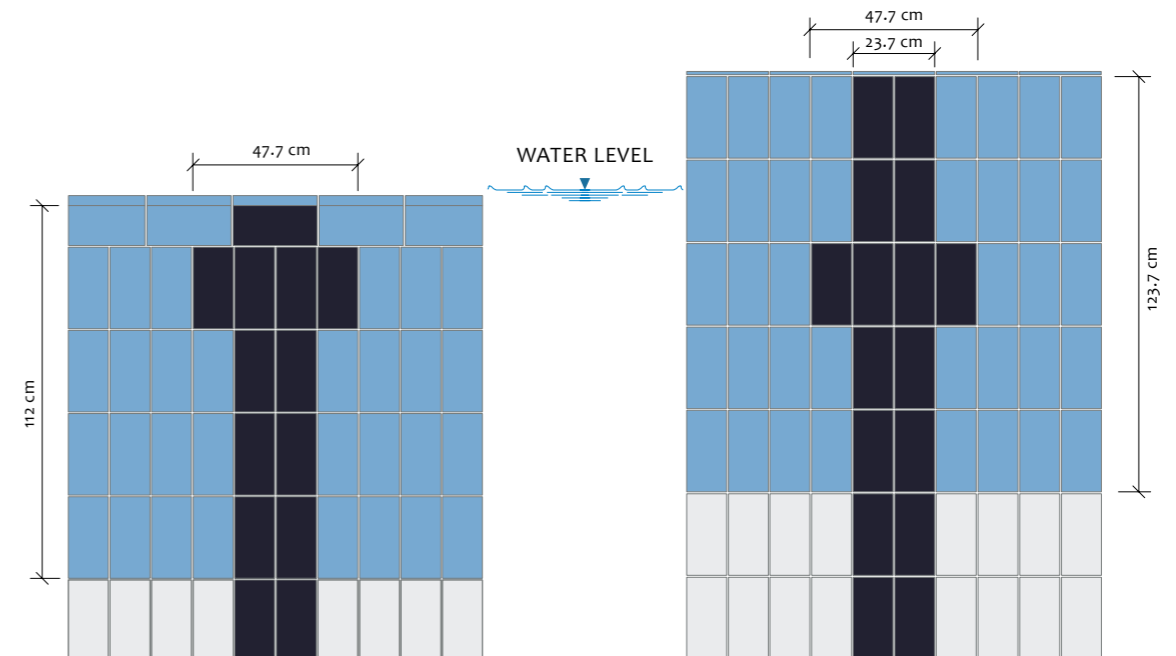


matt light structure



GRESS WHITE BODY TILES | Matt / Glossy • Straight • Smooth / Light Structure

NAME	COLOR	SURFACE	11.7x24.5 cm 4.60"x9.64"
SKY BLUE	SKY BLUE	MATT	A21SHYDO-SKB.MOXOU
		GLOSSY	A21SHYDO-SKB.GOXOU
NAVY BLUE	NAVY BLUE	MATT	A21SHYDO-NAY.MOXOU
		GLOSSY	A21SHYDO-NAY.GOXOU
WHITE	WHITE	MATT	A21SHYDO-WHE.MOXOU
		GLOSSY	A21SHYDO-WHE.GOXOU
GREY	GREY	MATT	A21SHYDO-GRY.MOXOU
		GLOSSY	A21SHYDO-GRY.GOXOU
BEIGE	BEIGE	MATT	A21SHYDO-BEE.MOXOU
		GLOSSY	A21SHYDO-BEE.GOXOU
HYDO	SKY BLUE DOTTED	MATT	A21SHYDO-SKB.MTXOU
		NAVY BLUE DOTTED	MATT
	WHITE DOTTED	MATT	A21SHYDO-WHE.MTXOU
		GREY DOTTED	MATT
	BEIGE DOTTED	MATT	A21SHYDO-BEE.MTXOU



CERAMIC WALL

HYDO ACCESSORIES

DECOR

SKY BLUE STEP



matt / glossy

NAVY BLUE STEP



matt / glossy

WHITE STEP



matt / glossy

NAVY BLUE / SKY BLUE STEP



matt

GREY STEP



matt / glossy

BEIGE STEP



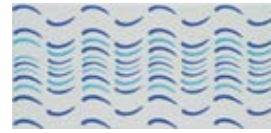
matt / glossy

SP-SKY A



11.7x24.5 cm /
4.60"x9.64"

SP-SKY B



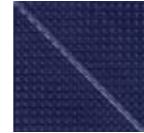
11.7x24.5 cm /
4.60"x9.64"

SP-WAVE



11.7x24.5 cm /
4.60"x9.64"

CHEQUERED CUT SKY BLUE*



11.7x11.7 cm /
4.60"x4.60"

ANGLE BEAD
EXTERNAL *



2.7x24.5 cm /
1.06"x9.64"

ANGLE BEAD
INTERNAL *



2.7x24.5 cm /
1.06"x9.64"

CORNER
EXTERNAL *



2.7x2.7 cm /
1.06" x1.06"

CORNER
INTERNAL *



2.7x2.7 cm /
1.06" x1.06"

ELEPHANT
FOOT
EXTERNAL *



2.7x2.7 cm /
1.06" x1.06"

ELEPHANT
FOOT
INTERNAL *



2.7x2.7 cm /
1.06" x1.06"



*Available colours
matt

MOSAIC

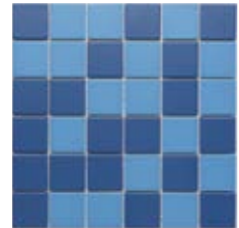
BEIGE MIX-2
MOSAIC 5X5



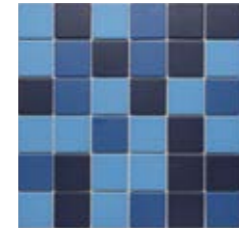
BEIGE MIX-3
MOSAIC 5X5



BLUE MIX-2
MOSAIC 5X5



BLUE MIX-3
MOSAIC 5X5



mosaic 5x5
31x31 cm
12.2"x12.2"
matt / glossy

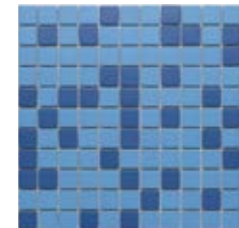
BEIGE MIX-2
MOSAIC 2.5X2.5



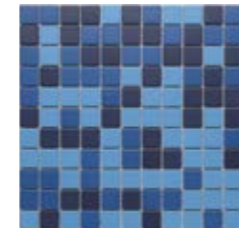
BEIGE MIX-3
MOSAIC 2.5X2.5



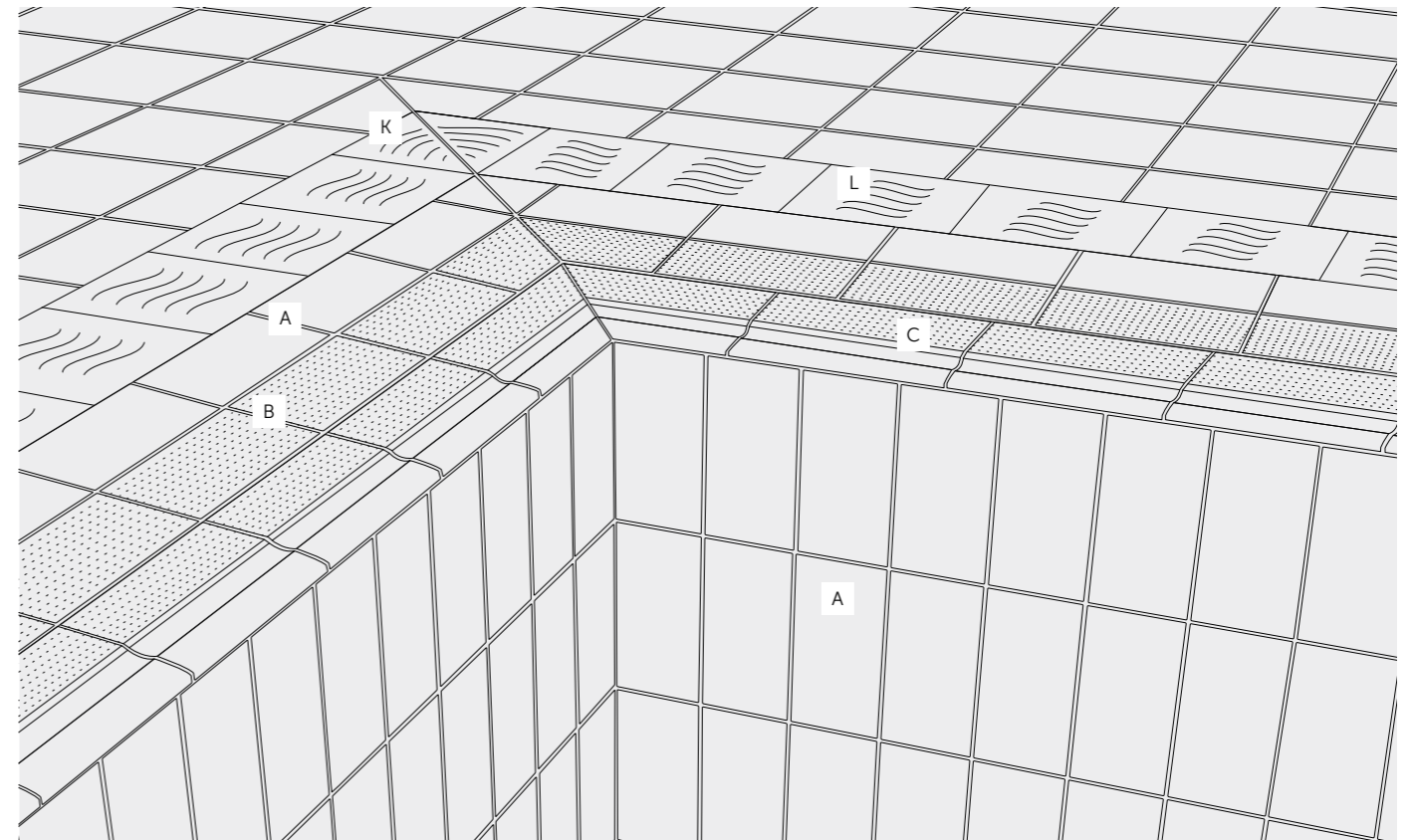
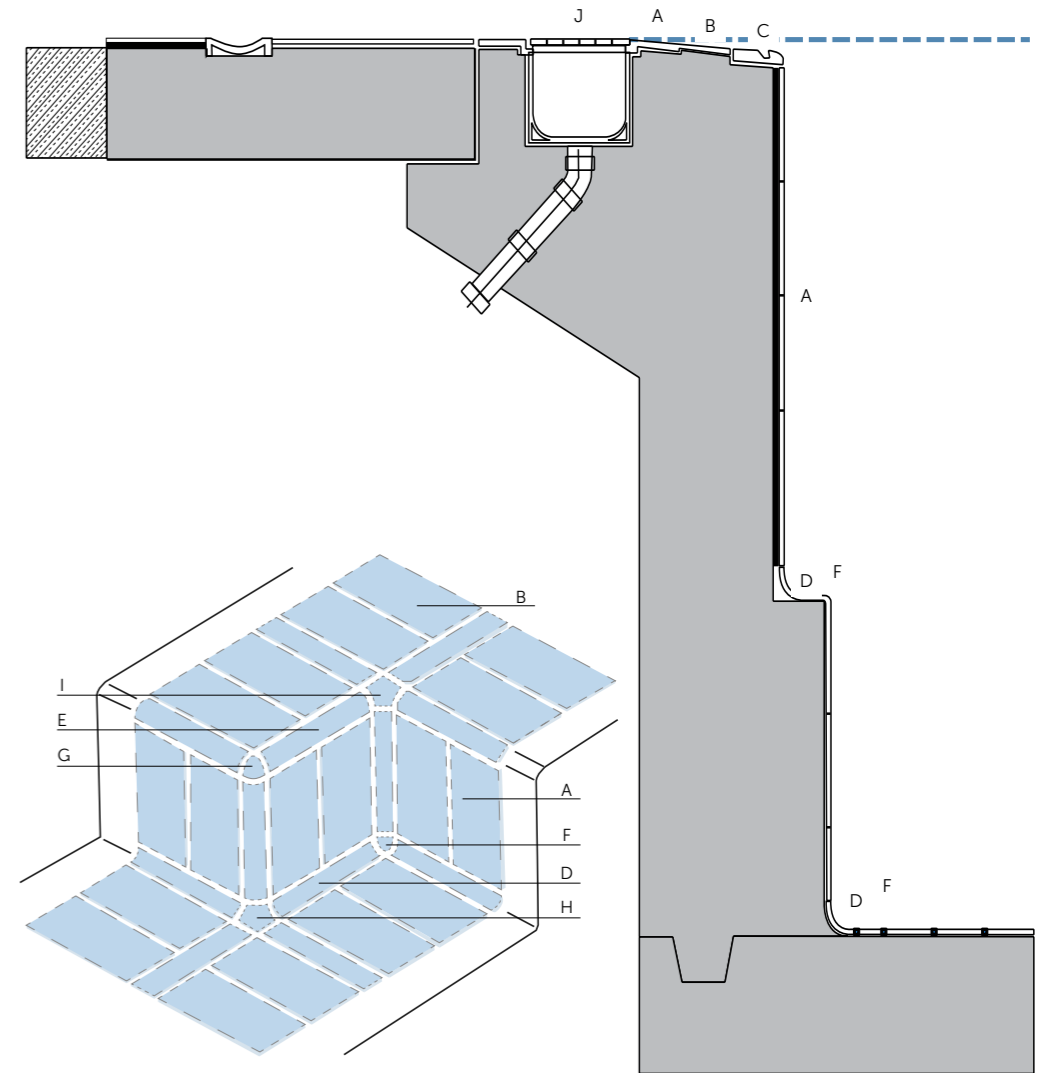
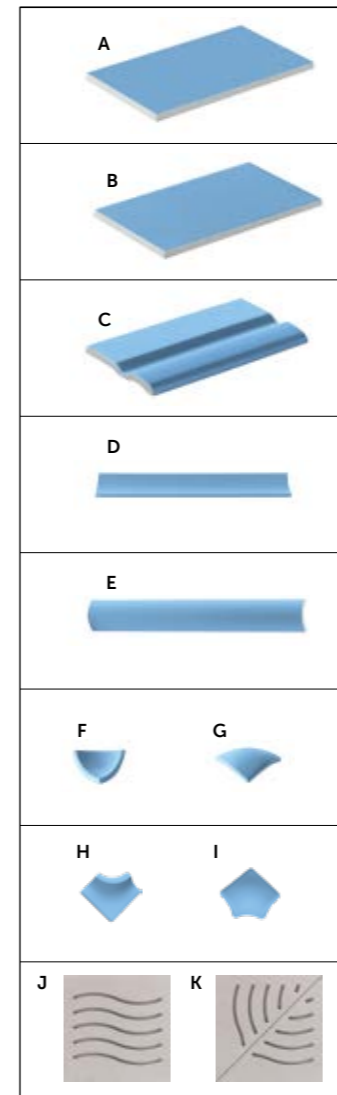
BLUE MIX-2
MOSAIC 2.5X2.5



BLUE MIX-3
MOSAIC 2.5X2.5

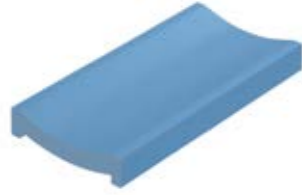


mosaic 2.5x2.5
29.7x29.7 cm
11.69"x11.69"
matt / glossy



HYDO ACCESSORIES

CHANNEL PLAIN

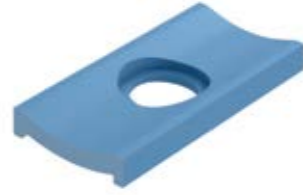


11.7x24.5 cm
4.60"x9.64"



Available colours
matt

CHANNEL HOLE



11.7x24.5 cm
4.60"x9.64"



Available colours
matt

CHANNEL EDGE



11.7x24.5 cm
4.60"x9.64"



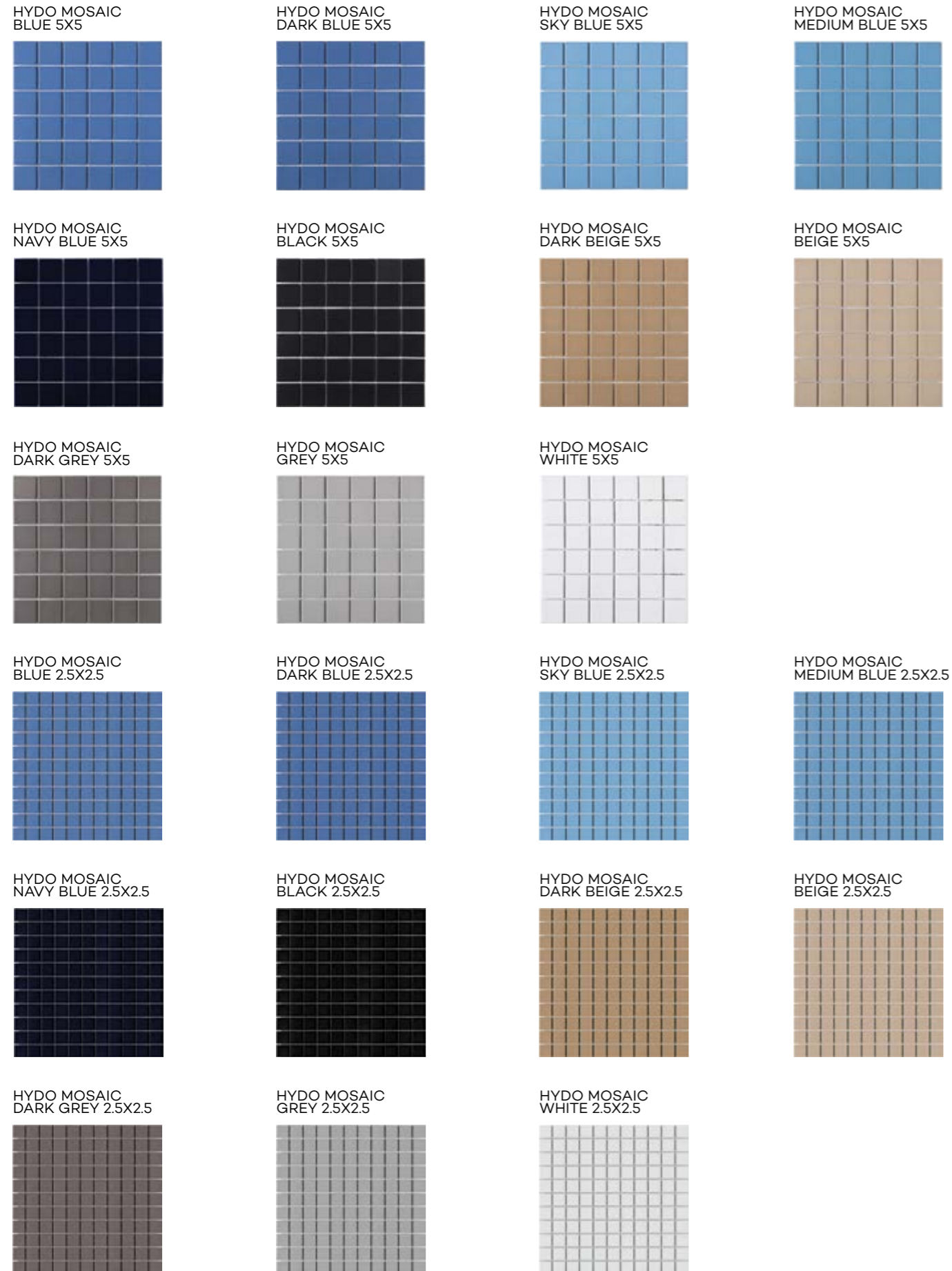
Available colours
matt



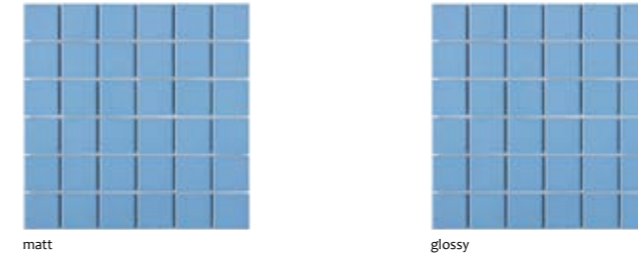
NAME	CODE (Matt)	SIZE (cm)	NAME	CODE (Glossy)	SIZE (cm)
SKY BLUE STEP	AGTZZHYDOSKB063849	11.7X24.5	SKY BLUE STEP	AGTZZHYDOSKB063850	11.7X24.5
NAVY BLUE STEP	AGTZZHYDONAYO63851	11.7X24.5	NAVY BLUE STEP	AGTZZHYDONAYO63852	11.7X24.5
BEIGE STEP	AGTZZHYDOBEE063853	11.7X24.5	BEIGE STEP	AGTZZHYDOBEE063854	11.7X24.5
WHITE STEP	AGTZZHYDOWHE063855	11.7X24.5	WHITE STEP	AGTZZHYDOWHE063856	11.7X24.5
GREY STEP	AGTZZHYDOGRYO63857	11.7X24.5	GREY STEP	AGTZZHYDOGRYO63858	11.7X24.5
BLUE MIX-2 MOSIAC 2.5X2.5	ASMZZHYDOMS2025466	29.7X29.7	BLUE MIX-2 MOSIAC 2.5X2.5	ASMZZHYDOMS2066735	29.7X29.7
BLUE MIX-3 MOSIAC 2.5X2.5	ASMZZHYDOMS3025467	29.7X29.7	BLUE MIX-3 MOSIAC 2.5X2.5	ASMZZHYDOMS3066808	29.7X29.7
BEIGE MIX-2 MOSIAC 2.5X2.5	ASMZZHYDOMS2025454	29.7X29.7	BEIGE MIX-2 MOSIAC 2.5X2.5	ASMZZHYDOMS2066809	29.7X29.7
BEIGE MIX-3 MOSIAC 2.5X2.5	ASMZZHYDOMS3025468	29.7X29.7	BEIGE MIX-3 MOSIAC 2.5X2.5	ASMZZHYDOMS3066734	29.7X29.7
BLUE MIX-2 MOSIAC 5X5	ASMZZHYDOMS2025456	31X31	BLUE MIX-2 MOSIAC 5X5	ASMZZHYDOMS2066760	31X31
BLUE MIX-3 MOSIAC 5X5	ASMZZHYDOMS3025469	31X31	BLUE MIX-3 MOSIAC 5X5	ASMZZHYDOMS3066781	31X31
BEIGE MIX-2 MOSIAC 5X5	ASMZZHYDOMS2025455	31X31	BEIGE MIX-2 MOSIAC 5X5	ASMZZHYDOMS2066796	31X31
BEIGE MIX-3 MOSIAC 5X5	ASMZZHYDOMS3025470	31X31	BEIGE MIX-3 MOSIAC 5X5	ASMZZHYDOMS3066807	31X31

NAME	CODE (Matt)	SIZE (cm)	NAME	CODE (Matt)	SIZE (cm)
SKY BLUE / NAVY BLUE STEP	AGTZZHYDOSKB064339	11.7X24.5			
ANGLE BEAD EXTERNAL SKY BLUE	AWNZZHYDOSKB063619	2.7X24.5	ANGLE BEAD INTERNAL SKY BLUE	AWNZZHYDOSKB063655	2.7X24.5
ANGLE BEAD EXTERNAL NAVY BLUE	AWNZZHYDONAYO63620	2.7X24.5	ANGLE BEAD INTERNAL NAVY BLUE	AWNZZHYDONAYO63652	2.7X24.5
ANGLE BEAD EXTERNAL BEIGE	AWNZZHYDOBEE063621	2.7X24.5	ANGLE BEAD INTERNAL BEIGE	AWNZZHYDOBEE063653	2.7X24.5
ANGLE BEAD EXTERNAL WHITE	AWNZZHYDOWHE063622	2.7X24.5	ANGLE BEAD INTERNAL WHITE	AWNZZHYDOWHE063654	2.7X24.5
ANGLE BEAD EXTERNAL GREY	AWNZZHYDOGRYO63623	2.7X24.5	ANGLE BEAD INTERNAL GREY	AWNZZHYDOGRYO63651	2.7X24.5
CONNER EXTERNAL SKY BLUE	AWOZZHYDOSKB063703	2.7X2.7	CONNER INTERNAL SKY BLUE	AWOZZHYDOSKB063679	2.7X2.7
CONNER EXTERNAL NAVY BLUE	AWOZZHYDONAYO64439	2.7X2.7	CONNER INTERNAL NAVY BLUE	AWOZZHYDONAYO63680	2.7X2.7
CONNER EXTERNAL BEIGE	AWOZZHYDOBEE063705	2.7X2.7	CONNER INTERNAL BEIGE	AWOZZHYDOBEE063681	2.7X2.7
CONNER EXTERNAL WHITE	AWOZZHYDOWHE063706	2.7X2.7	CONNER INTERNAL WHITE	AWOZZHYDOWHE063682	2.7X2.7
CONNER EXTERNAL GREY	AWOZZHYDOGRYO63707	2.7X2.7	CONNER INTERNAL GREY	AWOZZHYDOGRYO63683	2.7X2.7
ELEPHANT FOOT EXTERNAL SKY BLUE	AWOZZHYDOSKB063898	2.7X2.7	ELEPHANT FOOT INTERNAL SKY BLUE	AWOZZHYDOSKB063731	2.7X2.7
ELEPHANT FOOT EXTERNAL NAVY BLUE	AWOZZHYDONAYO63899	2.7X2.7	ELEPHANT FOOT INTERNAL NAVY BLUE	AWOZZHYDONAYO63732	2.7X2.7
ELEPHANT FOOT EXTERNAL BEIGE	AWOZZHYDOBEE063900	2.7X2.7	ELEPHANT FOOT INTERNAL BEIGE	AWOZZHYDOBEE063733	2.7X2.7
ELEPHANT FOOT EXTERNAL WHITE	AWOZZHYDOWHE063901	2.7X2.7	ELEPHANT FOOT INTERNAL WHITE	AWOZZHYDOWHE063734	2.7X2.7
ELEPHANT FOOT EXTERNAL GREY	AWOZZHYDOGRYO63902	2.7X2.7	ELEPHANT FOOT INTERNAL GREY	AWOZZHYDOGRYO63735	2.7X2.7
CHEQUERED CUT SKY BLUE	AGWZZHYDOSKB064563	11.7X11.7	SP-WAVE	AST-21WAVE	11.7X24.5
CHEQUERED CUT NAVY BLUE	AGWZZHYDONAYO64564	11.7X11.7	SP-SKY A	AST-21SKY-A	11.7X24.5
CHEQUERED CUT BEIGE	AGWZZHYDOBEE064565	11.7X11.7	SP-SKY B	AST-21SKY-B	11.7X24.5
CHEQUERED CUT WHITE	AGWZZHYDOWHE064566	11.7X11.7			
CHEQUERED CUT GREY	AGWZZHYDOGRYO64567	11.7X11.7			
CHANNEL SKY BLUE	SPTP2412SWPSBMA	11.7X24.5	CHANNEL HOLE SKY BLUE	SPTH2512SWPSBMA	11.7X24.5
CHANNEL NAVY BLUE	SPTP2412SWPNBMA	11.7X24.5	CHANNEL HOLE NAVY BLUE	SPTH2512SWPNBMA	11.7X24.5
CHANNEL BEIGE	SPTP2412SWPBMA	11.7X24.5	CHANNEL HOLE BEIGE	SPTH2512SWPBMA	11.7X24.5
CHANNEL WHITE	SPTP2412SWPWMA	11.7X24.5	CHANNEL HOLE WHITE	SPTH2512SWPWMA	11.7X24.5
CHANNEL GREY	SPTP2412SWPGMA	11.7X24.5	CHANNEL HOLE GREY	SPTH2512SWPGMA	11.7X24.5
CHANNEL EDGE SKY BLUE	SPT2412SWPSBMA	11.7X24.5			
CHANNEL EDGE NAVY BLUE	SPT2412SWPNBMA	11.7X24.5			
CHANNEL EDGE BEIGE	SPT2412SWPBMA	11.7X24.5			
CHANNEL EDGE WHITE	SPT2412SWPWMA	11.7X24.5			
CHANNEL EDGE GREY	SPT2412SWPGMA	11.7X24.5			

HYDO MOSAIC



FINISHES



GRESS WHITE BODY TILES | Matt / Glossy • Straight • Smooth

NAME	COLOR	SURFACE	31x31 cm 12.2"x12.2" (5X5)	29.7x29.7 cm 11.69"x11.69" (2.5X2.5)
HYDO MOSAIC	BLUE	MATT	AM2SHYDO-BLE.MOXOU	AM1SHYDO-BLE.MOXOU
		GLOSSY	AM2SHYDO-BLE.HOXOU	AM1SHYDO-BLE.HOXOU
	DARK BLUE	MATT	AM2SHYDO-DAB.MOXOU	AM1SHYDO-DAB.MOXOU
		GLOSSY	AM2SHYDO-DAB.HOXOU	AM1SHYDO-DAB.HOXOU
	SKY BLUE	MATT	AM2SHYDO-SKB.MOXOU	AM1SHYDO-SKB.MOXOU
		GLOSSY	AM2SHYDO-SKB.HOXOU	AM1SHYDO-SKB.HOXOU
	MEDIUM BLUE	MATT	AM2SHYDO-MEB.MOXOU	AM1SHYDO-MEB.MOXOU
		GLOSSY	AM2SHYDO-MEB.HOXOU	AM1SHYDO-MEB.HOXOU
	NAVY BLUE	MATT	AM2SHYDO-NAY.MOXOU	AM1SHYDO-NAY.MOXOU
		GLOSSY	AM2SHYDO-NAY.HOXOU	AM1SHYDO-NAY.HOXOU
	BLACK	MATT	AM2SHYDO-BLK.MOXOU	AM1SHYDO-BLK.MOXOU
		GLOSSY	AM2SHYDO-BLK.HOXOU	AM1SHYDO-BLK.HOXOU
	DARK BEIGE	MATT	AM2SHYDO-DBE.MOXOU	AM1SHYDO-DBE.MOXOU
		GLOSSY	AM2SHYDO-DBE.HOXOU	AM1SHYDO-DBE.HOXOU
	BEIGE	MATT	AM2SHYDO-BEE.MOXOU	AM1SHYDO-BEE.MOXOU
		GLOSSY	AM2SHYDO-BEE.HOXOU	AM1SHYDO-BEE.HOXOU
	DARK GREY	MATT	AM2SHYDO-DKG.MOXOU	AM1SHYDO-DKG.MOXOU
		GLOSSY	AM2SHYDO-DKG.HOXOU	AM1SHYDO-DKG.HOXOU
	GREY	MATT	AM2SHYDO-GRY.MOXOU	AM1SHYDO-GRY.MOXOU
		GLOSSY	AM2SHYDO-GRY.HOXOU	AM1SHYDO-GRY.HOXOU
	WHITE	MATT	AM2SHYDO-WHE.MOXOU	AM1SHYDO-WHE.MOXOU
		GLOSSY	AM2SHYDO-WHE.HOXOU	AM1SHYDO-WHE.HOXOU

MARAKKESH

SIGNATURE
COLLECTION

MARAKKESH WHITE



MARAKKESH ASH



MARAKKESH GREY



MARAKKESH GREEN



MARAKKESH LIGHT BLUE



MARAKKESH DARK BLUE



MARAKKESH IVORY



MARAKKESH PINK



WHITE BODY CERAMIC TILES | Glossy • Straight • Light Structure

NAME	COLOR	SURFACE	6.5X26 cm 2.55"X10.23"	
MARAKKESH		WHITE	GLOSSY	A42WMRKS-WHE.G6X0U
		ASH	GLOSSY	A42WMRKS-ASH.G6X0U
		GREY	GLOSSY	A42WMRKS-GRY.G6X0U
		GREEN	GLOSSY	A42WMRKS-GRE.G6X0U
		LIGHT BLUE	GLOSSY	A42WMRKS-LIB.G6X0U
		DARK BLUE	GLOSSY	A42WMRKS-DAB.G6X0U
		IVORY	GLOSSY	A42WMRKS-IVO.G6X0U
		PINK	GLOSSY	A42WMRKS-PIK.G6X0U



CERAMIC WALL

**Large Format
Design Variations
120x280
90x180
120x120**

MARBLE

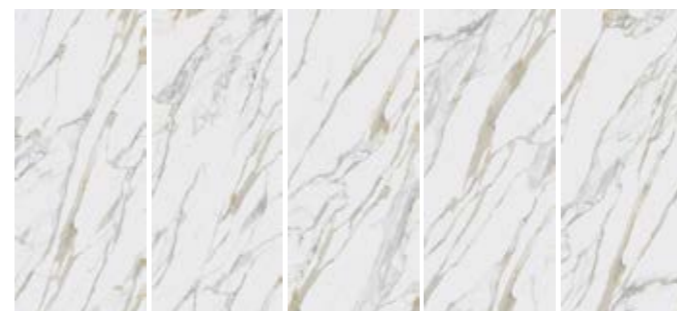
Crystal white 90x180 cm



Iceland white 90x180 cm



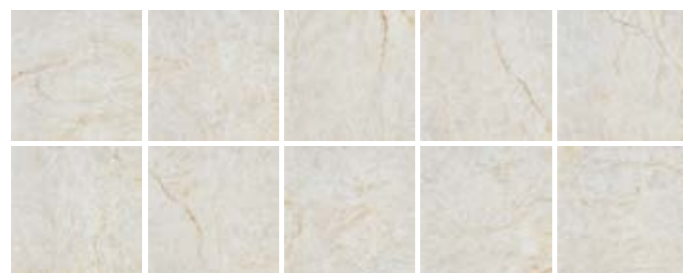
Marble treviso white 120x280 cm



Preziosi ocean 120x280 cm



Crystal white 120x120 cm



Iceland white 120x120 cm



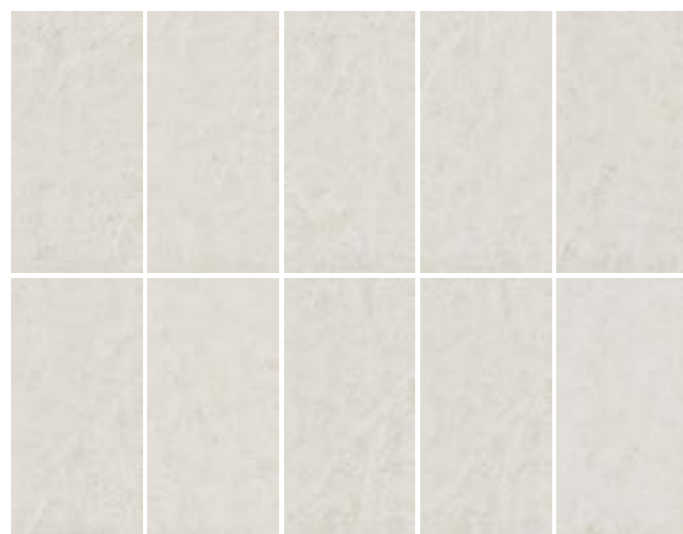
Versilia marble white 120x120 cm



Granito blu ande 120x120 cm



Elegant marfil crema 90x180 cm



Marble treviso white 90x180 cm



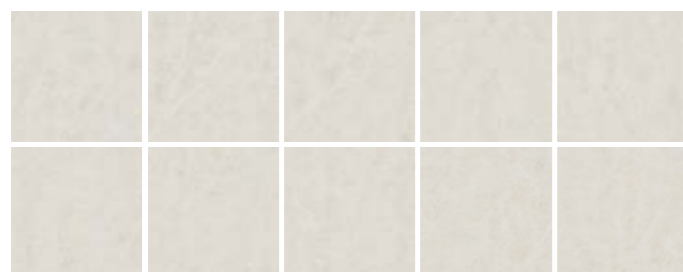
Calacatta gold white 120x120 cm



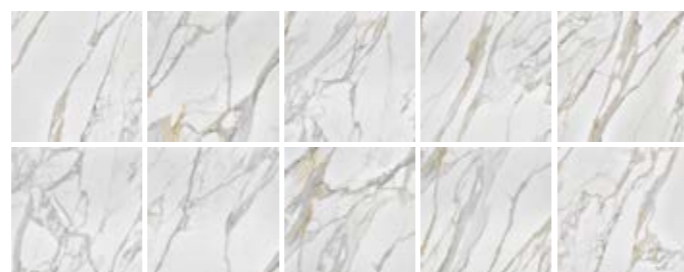
Dark onyx black 120x280 cm



Elegant marfil crema 120x120 cm



Marble treviso white 120x120 cm



Luce marble white 120x280 cm



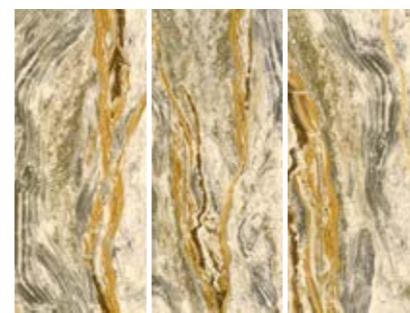
Luce onyx white 120x280 cm



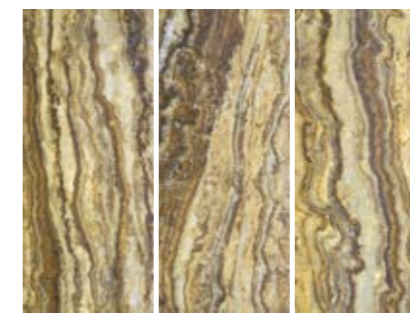
Luce onyx ivory 120x280 cm



Luce onyx harlequin 120x280 cm

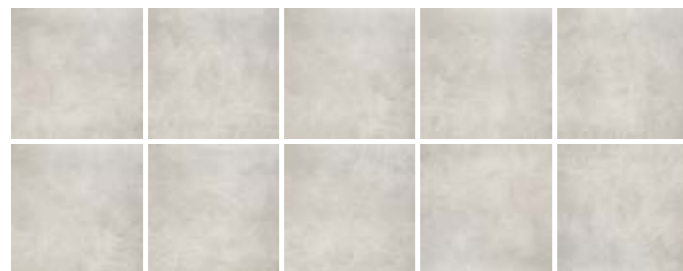


Luce onyx arco red 120x280 cm

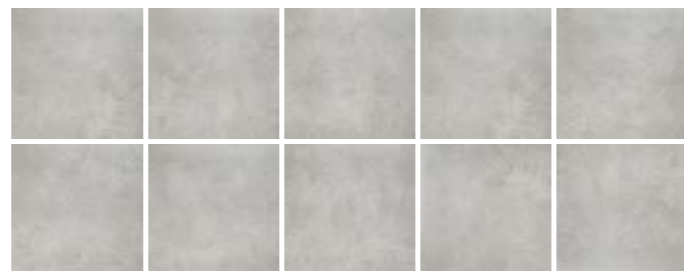


CONCRETE

Creative concrete p white 120x120 cm



Creative concrete p grey 120x120 cm



Creative concrete p dark grey 120x120 cm



Creative concrete p beige 120x120 cm



Creative concrete p white decor 120x120 cm



Creative concrete p grey decor 120x120 cm



Creative concrete p dark grey decor 120x120 cm



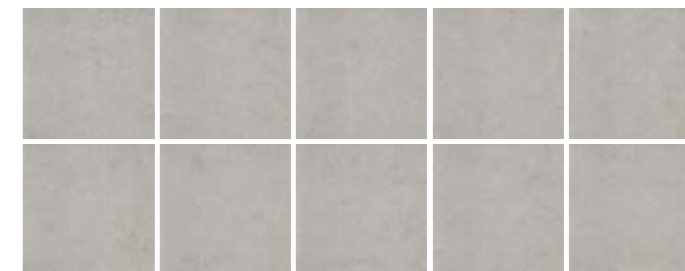
Creative concrete p beige decor 120x120 cm



Creative concrete p stone white 120x120 cm



Creative concrete p stone grey 120x120 cm



Creative concrete p stone dark grey 120x120 cm



Creative concrete p stone beige 120x120 cm



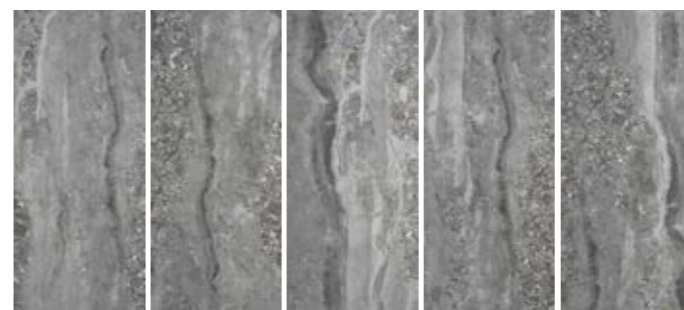
METAL

Cosmic metal emerald 120x280 cm



STONE

Orobico grey 120x280 cm

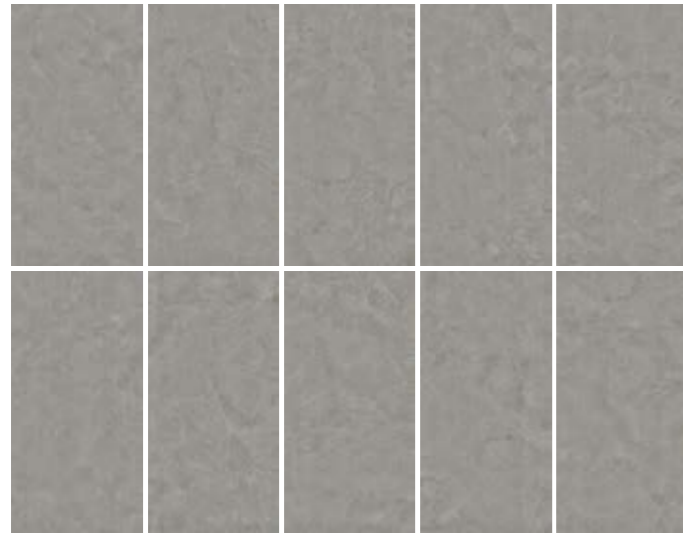


Orobico grey 90x180 cm

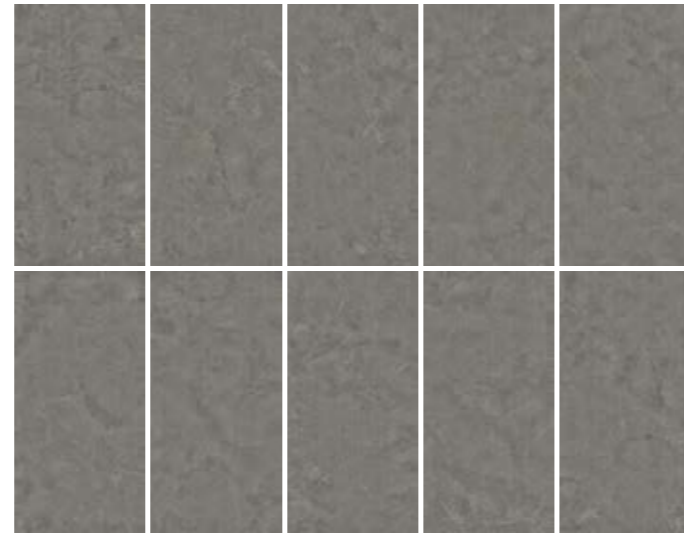


STONE

Baltico light grey 90x180 cm



Baltico grey 90x180 cm



Baltico light grey 120x120 cm



Baltico grey 120x120 cm



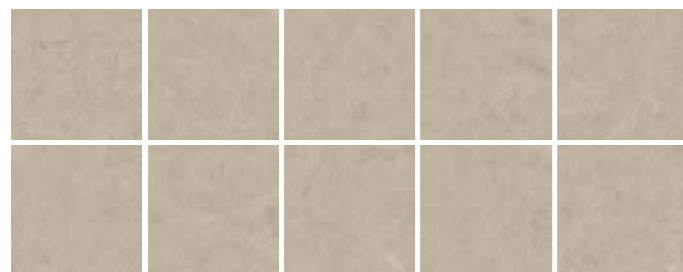
Baltico beige 90x180 cm



Baltico grey 120x280 cm



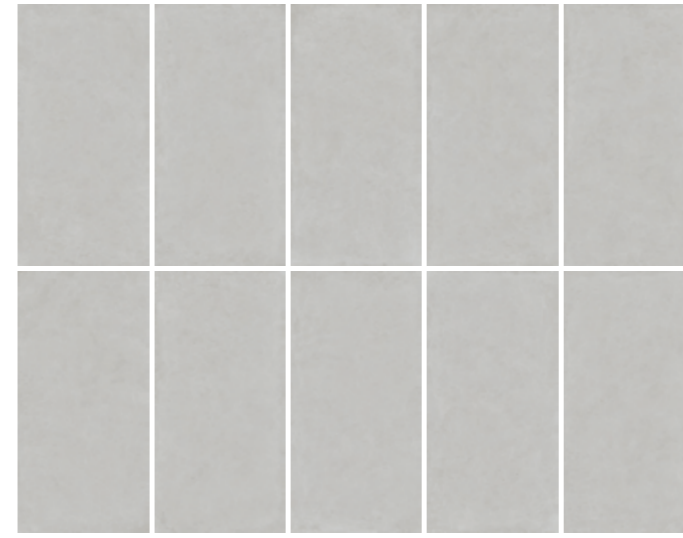
Baltico beige 120x120 cm



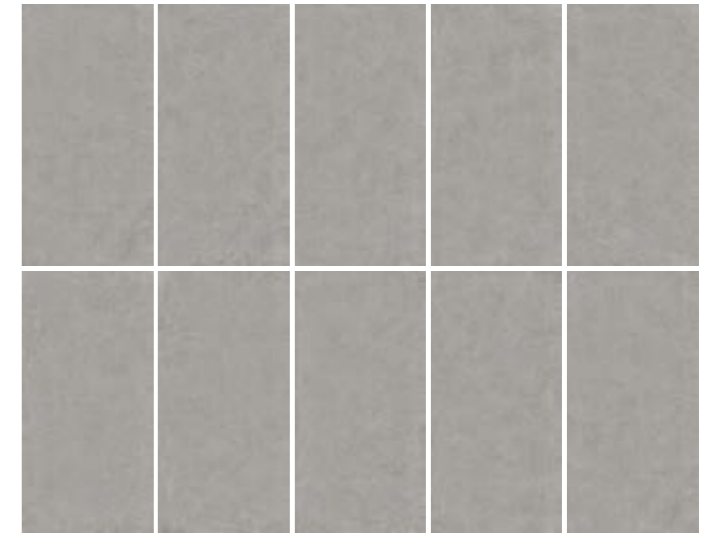
Baltico beige 120x280 cm



Moon stone white 90x180 cm



Moon stone grey 90x180 cm



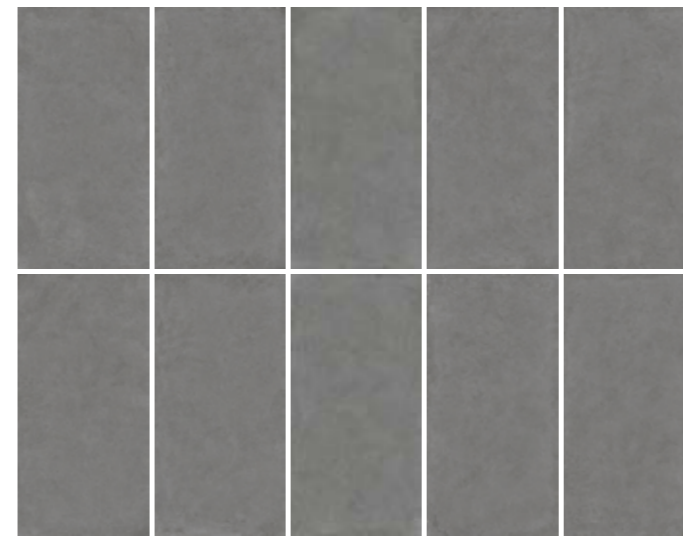
Moon stone white 120x120 cm



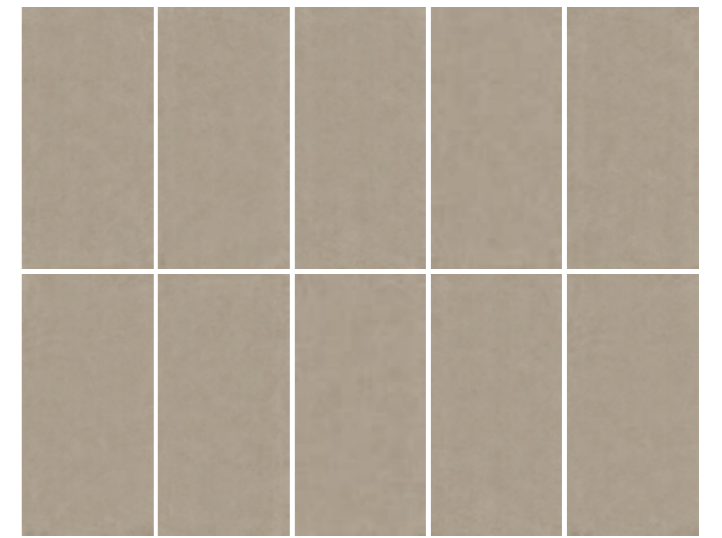
Moon stone grey v120x120 cm



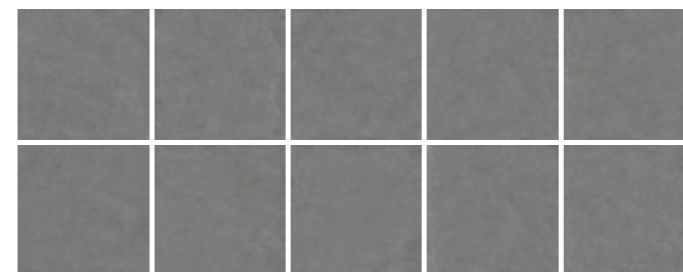
Moon stone dark grey 90x180 cm



Moon stone beige 90x180 cm



Moon stone dark grey 120x120 cm



Moon stone beige 120x120 cm



STONE

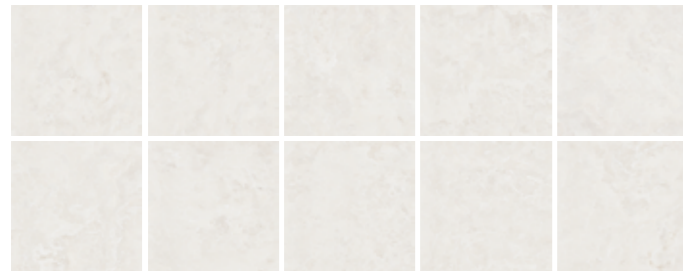
Travertine cross cut white 90x180 cm



Travertine cross cut grey 90x180 cm



Travertine cross cut white 120x120 cm



Travertine cross cut grey 120x120 cm



Travertine cross cut ivory 90x180 cm



Travertine cross cut beige 90x180 cm



Travertine cross cut ivory 120x120 cm



Travertine cross cut beige 120x120 cm



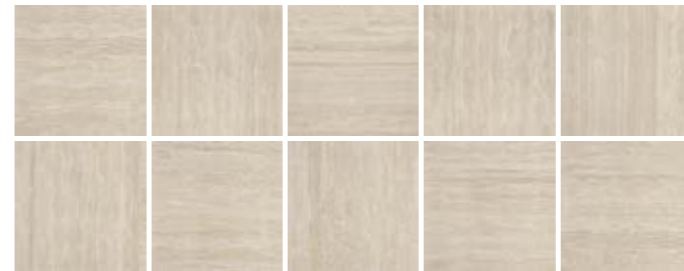
Pontino ivory 90x180 cm



Pontino beige 90x180 cm



Pontino ivory 120x120 cm



Pontino beige 120x120 cm



Pontino ivory 120x280 cm



Pontino beige 120x280 cm



STONE

Portland stone cross cut 120x280 cm



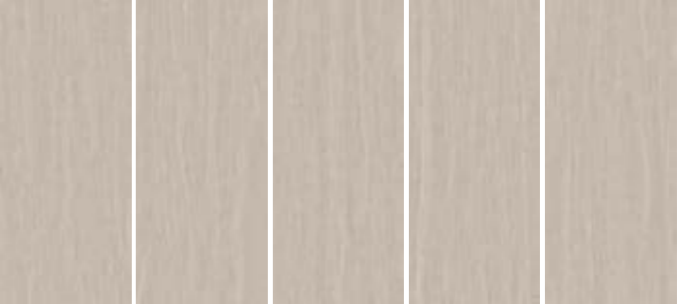
Portland stone cross cut 120x280 cm



Portland stone vein cut 120x280 cm



Portland stone vein cut 120x280 cm



Portland stone cross cut 90x180 cm



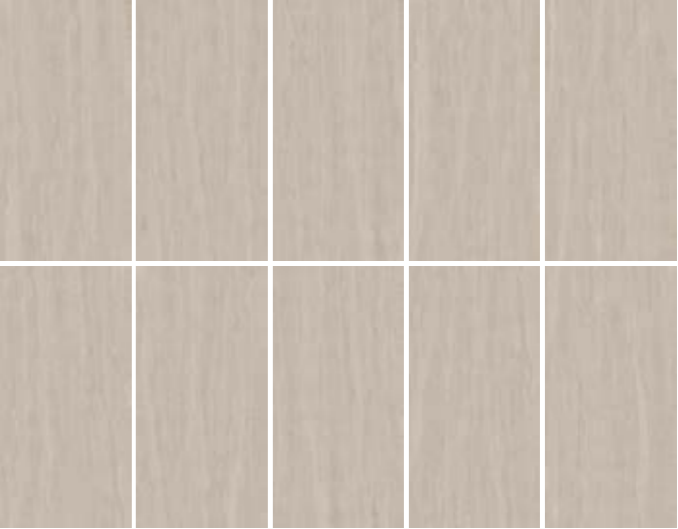
Portland stone cross cut 90x180 cm



Portland stone vein cut 90x180 cm



Portland stone vein cut 90x180 cm



Portland stone cross cut 120x120 cm



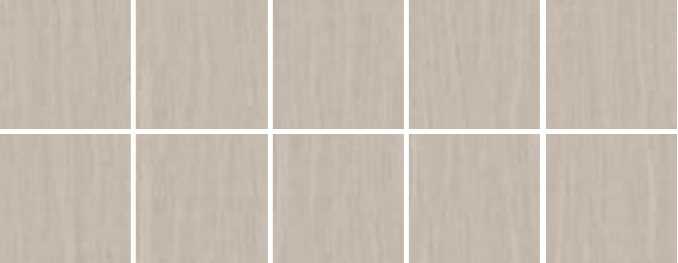
Portland stone cross cut 120x120 cm



Portland stone vein cut 120x120 cm



Portland stone vein cut 120x120 cm



Product Guide

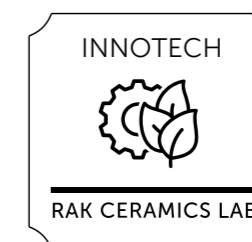


Developed by RAK Ceramics lab

Innovation is the heart of RAK Ceramics philosophy and the company is a pioneer in introducing hi-tech innovations that are a breakthrough in the industry and a world leader in the production of ceramic and porcelain tiles ideal for use of indoor and outdoor spaces for wall and floor coverings for residential, retail and industrial projects.

A wide range of technologies are used at the state-of-the-art plants including big slabs pressing technology, advanced digital printing technology for industrial decoration and effects, translucent, double and triple charged feeding systems, digital soluble salts, thermal resistant komfy glaze, slim, anti-microbial, glow in the dark, and other advanced technologies.

RAK Ceramics is known for the wide product range and size range and for its ability to produce bespoke ranges for both small and large scale projects, enabling its clients to bring their idea to life.



INNOTECH - RAKCERAMICS LAB



Antibacterial solution for healthier environment



Antislip technology for indoor and outdoor application



Antislip technology for indoor and outdoor application



Surface capable to absorb and repel heat or cold according to individual needs

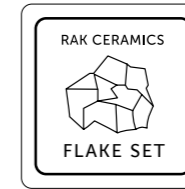


Technical and versatile surfaces suitable for any kind of usage

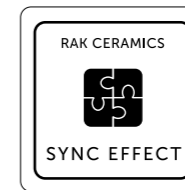


3D texture, surfaces, colour in unique materials

INNOTECH - RAKCERAMICS LAB



Antibacterial solution for healthier environment



High definition structures using digital technology



Sustainable surfaces and designs made up to 95% of recycled materials



Body through stone and marble veining



Backlighting high tech



Extra matt surface with no glossy

RAK SANIT



Antibacterial solution for healthier environment

RAK-Sanit is a complete solution that includes porcelain and ceramic tile collections that reduce bacterial contamination and contribute to a healthier living and working environment owing to its antibacterial properties given by silver nitrate compounds.

RAK-Sanit antibacterial collection of wall and floor tiles features antibacterial technology that is permanently integrated into the tile surface. Once bacteria come into contact with the tiled surface, the silver ions initiate the elimination cycle. Silver ions in the antibacterial tile surface bind to enzymes, proteins, cell membranes, and the DNA of the microbe to damage DNA and block reproduction, resulting in the death of the organisms.

KLIMA



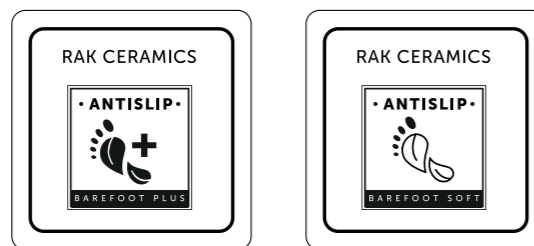
Surface capable to absorb and repel heat or cold according to individual needs

Klima is a new generation ceramic that, thanks to special materials, is able to resist to cold or warm temperatures according to individual needs and to keep the same temperature as the surrounding environment.

When applied to indoor flooring, Klima retains room heat and releases it over the entire surface, producing a warmer feel than a standard floor. When installed on outdoor flooring, Klima resists to the heat from sunlight and remains cool and pleasant to walk on with bare feet. Even with significant sun exposure, the surface is not burning hot and floor keeps the same temperature as the surrounding environment. On ventilated external façades, Klima helps limit heat dispersion while maintaining a steady indoor temperature. An innovative solution that helps reduce room energy demands.

Klima tiles are suitable for indoor and outdoor applications, for flooring or external walls, to achieve maximum comfort with minimum energy impact.

ANTISLIP BAREFOOT



Antislip technology for indoor and outdoor application

The Antislip Barefoot + technology gives porcelain tiles excellent non-slip performance and a pleasant feel, with a special roughness imperceptible to the touch.

With their technical characteristics that increase the safety and functionality of floors, they are ideal for indoor and outdoor applications for both commercial and residential settings.

HIGH PERFORMANCE

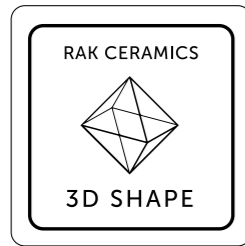


Technical and versatile surfaces suitable for any kind of usage

With a dedicated production technology able to deliver the most modern high-performing surface solution, a new variety of full-body porcelain stoneware is created. These tiles are produced using the most modern system and quality materials resulting in an extraordinary natural, high-performing variety of porcelain tiles with unique characteristics and limitless applications.

Its natural and structured features make it the perfect solution for architects' and interior designers' contemporary design needs.

3D SHAPE

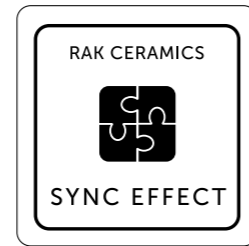


3D texture, surfaces, colours in unique materials

3D Shape is an innovative technology that combines realism and aesthetic perfection into a tile.

Each surface has varied depths and three-dimensionality, creating a visual play of 3D texture and colour, perfect for adding movement to walls and floors in interiors and exterior environments.

SYNC EFFECT



High definition structures using digital technology

Sync Effect is a technology that creates highly defined tiles through embossed graphics and material structure on smooth and textured surfaces. The material merges with the body of the tile to create unique and realistic designs, rich in detail and depth.

THROUGH BODY VEINS



Body through stone and marble veining

Through-Body Veining is RAK Ceramics' innovative breakthrough in reproducing natural marble and stone veins that pass through the thickness of the porcelain slab's body. This technology gives porcelain slab a unique design feature, having a consistent marble veining, from the surface to the body until the base - a total synchronization.

LUCE



Backlighting high tech

Light becomes a design tool in the hands of the designer with the Maximus Luce translucent slabs, which enrich any environment thanks to its backlighting technology. It is an absolute novelty that will inspire creativity.

With its varied graphics and colours inspired by the most precious marbles and onyx, plus its exceptional feature of transmitting light through, Luce is the perfect solution for sophisticated commercial and residential applications.

ORBIT 3Rs



Sustainable surfaces and designs made up to 95% of recycled materials

Orbit 3Rs is one of the latest innovations created by RAK Ceramics R&D laboratories which produces sustainable and high-performance tiles that contributes to the reduce, reuse and recycle concept. The tiles are manufactured with up to 95% recycled materials from wastes generated during the manufacturing process of ceramic tiles.

Orbit 3Rs tiles meet the architectural requirements of environmentally sustainable and durable products, making them ideal for new construction trends and tailoring private homes for both outdoor and indoor environments.

ABSOLUTE MATT

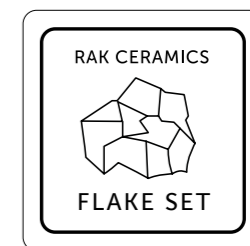


Extra matt surface with no glossy

Absolute Matt is the most recent innovation developed by RAK Ceramics R&D laboratories, which takes the concept of matte to new heights by enabling tiles to achieve an extra-matt surface; with zero reflection and a completely non-glossy finish.

Absolute Matt enhances the tile's natural texture and durability, satisfying any design project's aesthetic and functional requirements.

FLAKE SET

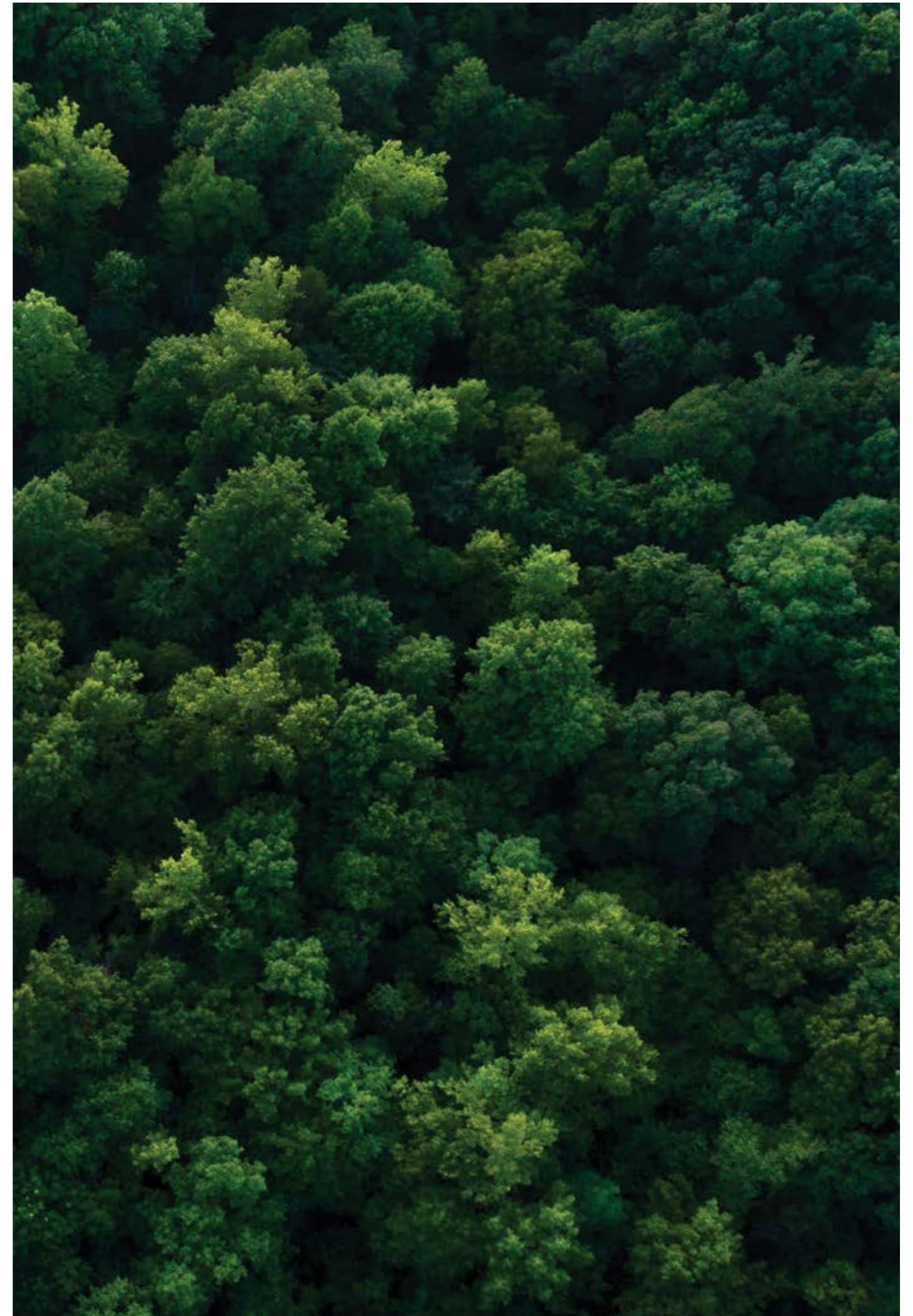


The process starts by getting flakes from atomized color body powder. The flakes are blended with the raw clay, which is then molded and fired at high temperatures to ensure the flakes are evenly distributed and firmly set. Perfect for countertops and visible tile edges, FlakeSet technology redefines elegance by beautifully emulating the look of natural stone, now seamlessly integrated throughout the tile.

We play our role for a better environment and society

Sustainability in every sphere of business is one of the main elements of RAK Ceramics mission statement. The company is committed to practicing environmental stewardship throughout its manufacturing chain – from product design and efficient operations processes – and to playing an active role in building a better community by enhancing the surrounding environment. Organization's activities improve energy efficiency, reduce pollution, enhance biodiversity and improve the quality of life for both people in the communities it operates in and for its workforce. It recycles natural raw materials to help conserve natural resources and adopts clean development mechanism (cdm) projects to reduce carbon emissions during the manufacturing process.

RAK Ceramics is the first ceramics manufacturing company in its region to produce a global reporting initiative (gri) sustainability and corporate social responsibility (csr) report, based on the latest gri-gr4 guidelines. RAK Ceramics is a founding member of Emirates Green Building Council, which supports the development of sustainable buildings in the UAE.





Quality makes us different

RAK Ceramics was the first company in United Arab Emirates being awarded with **ISO 9001 certification** by internationally recognized UK certification body "CICS" (Ceramic Research Institute Certification Scheme) for ceramics tiles and sanitary wares. Bureau Veritas Certifications verified the implementation of RAK Ceramics' quality management system and certified the company in compliance with the requirements of **ISO 9001:2015** with the scope covering the design, development, production and supply of ceramics and porcelain floor and wall tiles, slabs and vitreous china sanitary wares.

Bureau Veritas Certifications also certified RAK Ceramics for **ISO 14001:2015 Environmental Management System**.

RAK Ceramics manufactures ceramic tiles according to the latest version of ISO 13006 and/or EN 1441 standards with equivalent ANSI A137.1 American national standard specifications for ceramics tiles.

Its Testing Laboratory is operating in accordance to **ISO/IEC 17025** accredited by NATA (National Association of Testing Authorities, Australia).

Being a corporate member of EGBC (Emirates Green Building Council), RAK Ceramics supports the promotion and development of sustainable buildings in United Arab Emirates.

A track record of expertise

RAK Ceramics' products feature in a wide range of projects: from private residential interiors to some of the most iconic buildings in the world. From the Burj Al Arab, Atlantis on The Palm and Ferrari World, to Dubai Duty Free, Wembley Stadium, The O2 Arena, Mercedes Benz Showrooms, Airports, Residential Developments and Shopping Malls all over the world.



TECHNICAL FEATURES

PORCELAIN TILES (BIa - GL) :

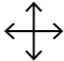
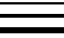

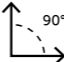


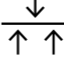


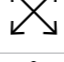
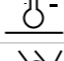




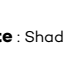
Porcelain tiles are manufactured using pure, selectively imported raw materials mixed using the most advanced extraction and sorting techniques; they are obtained with a production process similar to that of single-fired tiles. The resulting product is top-quality porcelain tile, obtained by raw materials wet grinding, followed by partial drying by spraying, silo storage to allow homogenization of properties, and pressing with highly efficient hydraulic presses up to specific pressures more than 500 kg/cm². The high pressure combined with high firing temperature exceeding 1200 °C results in highly compact & strong ceramic surface with very low water absorption (lower than 0.4% according to UNI EN ISO 10545-3 standard test method) and extremely high mechanical resistance (average value exceeding 40 N/mm² according to UNI EN ISO 10545-4 standard test method). Thanks to their low porosity, these porcelain tiles are frost-proof and rated as belonging to the BIa GL class according to the International Standard ISO 13006 and European Standard UNI EN 14411 which requires water absorption ≤ 0.5%.

RAK Ceramics porcelain tiles are available in a wide range of designs, sizes and finishes.

ADVICE ON LAYING

Although our porcelain tiles can be installed using traditional cement mortars, we advise using modern adhesives. While installing on wall, the two-layer spreading system is recommended to perfectly wet the back of the tile. Quickly dipping each tile in water before installation will remove any dust on the back of the tile for perfect adhesion. Do not wet the tiles if you are using vinyl, acrylic resin adhesives or two-component organic-solvent based adhesive. It is advisable to incorporate suitable shrinkage - flexion joints (movement/ expansion joints) when installing on large floors: the joints should never be spaced more than 4 - 5 linear meters apart indoors and 3 linear meters apart outdoors. Be careful while using strong coloured grouts as they might leave stains on the surface of the tiles that may be difficult to remove later.

TECHNICAL CHARACTERISTICS - PORCELAIN TILES (BIa - GL)

Test Description	Standard Test Method	International Standard ISO 13006	RAK Ceramics Specifications	
			(Rectified)	(Unrectified)
 Length & Width	BS EN ISO 10545-2	+/- 0.6%	+/- 0.1%	+/- 0.3%
 Thickness	BS EN ISO 10545-2	+/- 5.0%	+/- 5.0%	+/- 5.0%
 Rectangle Squareness	BS EN ISO 10545-2	+/- 0.5%	+/- 0.2%	+/- 0.4%
 Straightness of sides	BS EN ISO 10545-2	+/- 0.5%	+/- 0.2%	+/- 0.3%
 Surface Flatness	BS EN ISO 10545-2	+/- 0.5%	+/- 0.3%	+/- 0.3%
 Water Absorption	BS EN ISO 10545-3	≤ 0.5%	≤ 0.4%	≤ 0.4%
 Modulus of Rupture	BS EN ISO 10545-4	≥ 35 N/mm ²	≥ 40 N/mm ²	≥ 40 N/mm ²
 Breaking Strength	BS EN ISO 10545-4	≥ 1300N	≥ 1600N	≥ 1600N
 Resistance to surface abrasion	BS EN ISO 10545-7	Manufacturer to state Abrasion Class	PEI Class 2 -5	PEI Class 2 -5
 Linear Thermal Expansion	BS EN ISO 10545-8	≤ 9x10 ⁻⁶ /°C	≤ 7x10 ⁻⁶ /°C	≤ 7x10 ⁻⁶ /°C
 Resistance to Thermal Shock	BS EN ISO 10545-9	No visible defect	No visible defect	No visible defect
 Crazing Resistance	BS EN ISO 10545-11	No crazing	No crazing	No crazing
 Frost Resistance	BS EN ISO 10545-12	No visible damage	No visible damage	No visible damage
 Resistance to chemicals	BS EN ISO 10545-13	No visible defect	No visible defect	No visible defect
 Resistance to stains	BS EN ISO 10545-14	Manufacturer to state class	Stain removed Min.class 4	Stain removed Min.class 4
 Colour Resistance to UV Light	DIN 51094	No change in colour	No change in colour	No change in colour

Note: Shade variation across the batches is inherent to the manufacturing process and the pre-laying colour comparison is recommended

TECHNICAL FEATURES

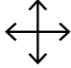
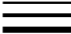
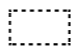
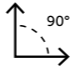
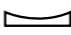

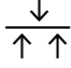








FULL BODY PORCELAIN TILES (BIA - UGL) :

Full body porcelain tiles are manufactured using pure, selectively imported raw materials mixed using the most advanced extraction and sorting techniques; they are obtained with a production process similar to that of single-fired tiles. The resulting product is top-quality porcelain tile, obtained by raw materials wet grinding, followed by partial drying by spraying, silo storage to allow homogenization of properties, and pressing with highly efficient hydraulic presses up to specific pressures more than 500 kg/cm². The high pressure combined with high firing temperature exceeding 1200 °C results in highly compact & strong ceramic surface with very low water absorption (lower than 0.1% according to UNI EN ISO 10545-3 standard test method) and extremely high mechanical resistance (average value exceeding 40 N/mm² according to UNI EN ISO 10545-4 Standard test method). Full body porcelain are suitable for heavy traffic areas as they are characterized by a deep abrasion resistance (equal to 150 mm³ of removed material, as opposed to the 175 mm³ provided for by the UNI EN ISO 10545-6 standard test method). Thanks to their low porosity, these tiles are frost-proof and rated as belonging to the Bia UGL class according to the International Standard ISO 13006 and European Standard UNI EN 14411 which requires water absorption ≤ 0.5%. Chemical acid and base resistance (UNI EN ISO 10545-13 standard test method) makes full body porcelain tiles suitable for environments where aggressive chemicals are used, e.g. food processing factories, hospitals, chemical or pharmaceutical plants. The full body porcelain tiles are available in a wide range of sizes and surfaces (slip-resistant finish also available).

ADVICE ON LAYING

Although our full body porcelain tiles can be installed using traditional cement mortars, we advise using modern adhesives. For large sizes over 40x40cm, outdoor and wall installations, the two-layer spreading system is recommended to perfectly wet the back of the tile. Quickly dipping each tile in water before installation will remove any dust on the back of the tile for perfect adhesion. Do not wet the tiles if you are using vinyl, acrylic resin adhesives or two-component organic-solvent based adhesive. It is advisable to incorporate suitable shrinkage - flexion joints (movement/ expansion joints) when installing on large floors: the joints should never be spaced more than 4 - 5 linear meters apart indoors and 3 linear meters apart outdoors. Be careful while using strong coloured grouts as they might leave stains on the surface of the tiles that may be difficult to remove later.

TECHNICAL CHARACTERISTICS - FULL BODY PORCELAIN TILES (BIA - UGL)

Test Description	Standard Test Method	International Standard ISO 13006	RAK Ceramics Specifications	
			(Rectified)	(Unrectified)
 Length & Width	BS EN ISO 10545-2	+/- 0.6%	+/- 0.1%	+/- 0.3%
 Thickness	BS EN ISO 10545-2	+/- 5.0%	+/- 5.0%	+/- 5.0%
 Rectangle Squareness	BS EN ISO 10545-2	+/- 0.5%	+/- 0.2%	+/- 0.4%
 Straightness of sides	BS EN ISO 10545-2	+/- 0.5%	+/- 0.2%	+/- 0.3%
 Surface Flatness	BS EN ISO 10545-2	+/- 0.5%	+/- 0.2%	+/- 0.3%
 Water Absorption	BS EN ISO 10545-3	<=0.5%	<=0.1%	<=0.1%
 Modulus of Rupture	BS EN ISO 10545-4	>=35 N/mm ²	>=40 N/mm ²	>=40 N/mm ²
 Breaking Strength	BS EN ISO 10545-4	>=1300N	>=1500N	>=1600N
 Resistance to deep abrasion	BS EN ISO 10545-6	<=175/mm ³	<=150/mm ³	<=150/mm ³
 Linear Thermal Expansion	BS EN ISO 10545-8	<=9x10 ⁻⁶ /°C	<=7x10 ⁻⁶ /°C	<=7x10 ⁻⁶ /°C
 Resistance to Thermal Shock	BS EN ISO 10545-9	No visible defect	No visible defect	No visible defect
 Frost Resistance	BS EN ISO 10545-12	No visible damage	No visible damage	No visible damage
 Resistance to chemicals	BS EN ISO 10545-13	No visible defect	No visible defect	No visible defect
 Resistance to stains	BS EN ISO 10545-14	Manufacturer to state class	Stain removed Min. class 2	Stain removed Min. class 2
 Colour Resistance to UV Light	DIN 51094	No change in colour	No change in colour	No change in colour

Note: Shade variation across the batches is inherent to the manufacturing process and the pre-laying colour comparison is recommended

TECHNICAL FEATURES

RED BODY AND WHITE BODY CERAMIC TILES (BIII):

Red body and white body Ceramic tiles are made with finest quality clays and with chamotte (a ceramic raw material with high percentage of silica). These raw materials are submitted to dry grinding and suitably mixed and wet and then pressed with hydraulic presses. Quick-cycle support firing is obtained via roller kilns reaching temperatures of approximately 1130 °C. After biscuit glazing, the vitrified product is sintered in a single-layer roller kiln at approximately 1030 °C. The resulting wall tiles have an average bending strength that is higher than 16 N/mm² in accordance with the UNI EN ISO10545-4 standard test method and a water absorption level that is higher than 10 %; they belong to the BIII (GL) group according to the International Standard ISO 13006 and UNI EN 14411 standard. This class of products shows virtually no shrinkage during firing; therefore such dimensional consistency results in extremely easy laying.

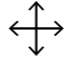
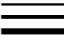
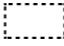
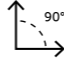

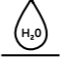
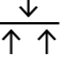


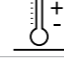



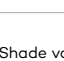
ADVICE ON LAYING

Ceramic Red and White body tiles can be laid using either tile adhesives or cement mortar. Under no circumstances should the tiles be wet before laying when using acrylic or vinyl resin based adhesives or two- component organic solvent based adhesives. When laying large sized tiles it is best to adopt the two layer spreading method and, when the laying surface is very large, to provide for suitable expansion joints which must not be spaced more than 4-5 linear meters apart from one another.

IMPORTANT POINTS TO REMEMBER WHILE LAYING THESE TILES

When laying on wet concrete or plaster, leave to dry for at least one week for each centimetre of thickness. When laying on brick, never lay on tile adhesive measuring more than 4-5 mm in thickness. For laying on flexible supports (for example plasterboard panels, polymer panels, etc.) which may result in movement of the tiles, we advise laying on tile adhesive measuring no more than 2-3 mm in thickness and to use class C2 or D1 glues. For laying on waterproof brick, which prevents the release of damp, we advise laying on tile adhesive measuring no more than 3 mm in thickness and to use class C2 or D1 glues. Avoid laying without expansion joints or joints where stress due to expansion is released directly onto the tile.

TECHNICAL CHARACTERISTICS - RED BODY AND WHITE BODY CERAMIC TILES (BIII)

	Test Description	Standard Test Method	International Standard ISO 13006	RAK Ceramics Specifications
	Length & Width	BS EN ISO 10545-2	+/- 0.5%	+/- 0.3%
	Thickness	BS EN ISO 10545-2	+/-10%	+/- 5.0%
	Rectangle Squareness	BS EN ISO 10545-2	+/- 0.5%	+/- 0.4%
	Straightness of sides	BS EN ISO 10545-2	+/- 0.5%	+/- 0.3%
	Surface Flatness	BS EN ISO 10545-2	+/- 0.5%	+/- 0.3%
	Water Absorption	BS EN ISO 10545-3	10% < E <= 20%	10% < E <= 18%
	Modulus of Rupture	BS EN ISO 10545-4		
	Thickness > = 7.5mm		>=12 N/mm ²	>=16 N/mm ²
	Thickness < = 7.5mm		>=15 N/mm ²	>=16 N/mm ²
	Breaking Strength	BS EN ISO 10545-4		
	Thickness > = 7.5mm		>=600N	>=650N
	Thickness < = 7.5mm		>=200N	>=400N
	Resistance to surface abrasion	BS EN ISO 10545-7	Manufacturer to state Abrasion Class	Class 2 - 4
	Resistance to Thermal Shock	BS EN ISO 10545-9	No visible defect	No visible defect
	Crazing Resistance	BS EN ISO 10545-11	No crazing	No crazing
	Resistance to chemicals	BS EN ISO 10545-13	No visible effect	No visible effect
	Resistance to stains	BS EN ISO 10545-14	Manufacturer to state class	Stain removed Min. class 4
	Scratch Hardness : (Moh's)	EN 101	-	4 - 6

Note: Shade variation across the batches is inherent to the manufacturing process and the pre-laying colour comparison is recommended

TECHNICAL FEATURES

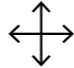
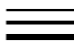
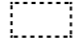
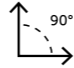
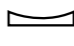
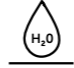
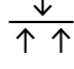
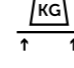

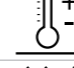



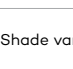
GRES WHITE BODY TILES (BIIA) :

Gres white body tiles are created by mixing raw materials including high quality white or red clays, quartz and feldspar in wet grinding ball mills. After grinding, a clay-based suspension of these materials called a slip is fed out of the mill then spray-dried to remove excess moisture. Following the spray drying process, the free flowing powder is pressed using advanced hydraulic presses with a specific pressing power exceeding 300 kg/cm² in order to obtain a compact gres body. Once dried, the tiles are coated and decorated with glazes to make them aesthetically pleasing and meet our customers design requirements. The glazed tile body is then fired in roller kilns where temperatures of approximately 1200 °C are reached. The resulting product is normally a medium-to-low porosity (3% to 5%) tile, in compliance with the International Standard ISO 13006 and European Standard UNI EN 14411 standard and rated as belonging to the BIIa GL group with notable technological specifications such as the product flexural strength (average value: 30N/mm² according to UNI EN ISO 10545-4 standard test method). As for wear resistance, this will depend on the type and colour of glazing and may change according to different products or collections. As a general rule, bright finishes are not recommended for heavy traffic floors or rooms opening onto outdoor areas, where sand or other abrasive materials are more likely to be brought in.

ADVICE ON LAYING

Our gres white body tiles can be laid using either traditional cement mortar or modern tile adhesives. When laying large size tiles, it is best to adopt the two-layer spreading system to ensure the adhesive is spread over 90 % of the tile surface. Quickly dipping each tile in water before installation will remove any dust on the back of the tile for perfect adhesion, however, do not wet the tiles if you are using vinyl, acrylic resin adhesives or two-component organic-solvent based adhesive. It is advisable to always incorporate suitable shrinkage-flexion joints (movement/expansion joints) which must not be spaced more than 4-5 metres apart from one another. These joints must be inserted not only between the tiles, but also reach the levelling compound below, consisting of either cement mortar or dry compound, depending on whether the tiles are set in the traditional manner or using a modern adhesive. The movement joints must be sealed with appropriate materials such as silicone or polyurethane-based sealants, depending on the anticipated traffic of the application area. Appropriate tile bedding layers should be used such as underlay, damp course, vapour barrier or any other layer necessary to prevent the tiles from detaching themselves or cracking due to water penetration.

TECHNICAL CHARACTERISTICS - GRES WHITE BODY TILES (BIIA)

	Test Description	Standard Test Method	International Standard ISO 13006	RAK Ceramics Specifications
	Length & Width	BS EN ISO 10545-2	+/- 0.6%	+/- 0.3%
	Thickness	BS EN ISO 10545-2	+/- 5.0%	+/- 5.0%
	Rectangle Squareness	BS EN ISO 10545-2	+/- 0.5%	+/- 0.4%
	Straightness of sides	BS EN ISO 10545-2	+/- 0.5%	+/- 0.3%
	Surface Flatness	BS EN ISO 10545-2	+/- 0.5%	+/- 0.4%
	Water Absorption	BS EN ISO 10545-3	3% < E <= 6%	3% < E <= 5%
	Modulus of Rupture	BS EN ISO 10545-4	>=22 N/mm ²	>=30 N/mm ²
	Breaking Strength	BS EN ISO 10545-4		
	Thickness > = 7.5mm		>=1000N	>=1100N
	Thickness < = 7.5mm		>=600N	>=800N
	Resistance to surface abrasion	BS EN ISO 10545-7	Manufacturer to state Abrasion Class	Class 2 - 4
	Resistance to Thermal Shock	BS EN ISO 10545-9	No visible defect	No visible defect
	Crazing Resistance	BS EN ISO 10545-11	No crazing	No crazing
	Resistance to chemicals	BS EN ISO 10545-13	No visible effect	No visible effect
	Resistance to stains	BS EN ISO 10545-14	Manufacturer to state class	Stain removed Min. class 4
	Scratch Hardness : (Moh's)	EN 101	-	4 - 6

Note : Shade variation across the batches is inherent to the manufacturing process and the pre-laying colour comparison is recommended

MAINTENANCE AND CLEANING OF TILES

Maintenance of ceramic and porcelain tiles on dry surfaces is relatively easy. RAK Ceramics tiles are highly scratch and stain resistant.

- By regularly sweeping the floor, you can help avoid scratches that small pebbles or sand can create.
- Make it a habit to always wipe the soles of your shoes on a mat before entering the house. Thoroughly wipe up any spills using plain warm water.
- While they are not likely to stain your ceramic tiles, spills may stain the grout between the tiles and if they are left to sit for too long, may also stain the actual tiles.
- Plain water is the ideal cleaner because it leaves no residue if you dry the surface of the tiles thoroughly after cleaning.
- If tiles are left wet after cleaning, there may be some unsightly mineral residue after the water dries, but this can easily be removed by spot cleaning.
- If stains resist cleaning with water alone, you can use a mild acidic solution, such as white vinegar. Use it highly diluted and rinse with plain water then dry.
- As food stains are acidic in nature, try using a mild alkaline solution.
- Use common detergents sparingly, rinse with plain water and dry thoroughly.

TILE-LAYING RECOMMENDATIONS

- All RAK Ceramics products are subject to size and shade variations. Please check the size, batch number, caliber, tone, choice, colour, quality of the pieces before the installation, as no claims will be accepted once the tiles are installed.
- Place some tiles on the floor - 2 or 3 sqm - and check the overall technical and aesthetic characteristics with care and check if there is enough product to finish the work.
- Manufacturer's responsibility is only limited to replacement of defective material if any, prior to fixing of tiles and we will not entertain claim of any nature after the tiles are installed.
- Therefore, if any issue is found on the delivered product, the contractor for installation or the client should not install the tiles. The issue should be communicated to RAK Ceramics for investigation and further action for resolution as required.
- The substrate must be a compact cement bed. Levelling system ensures flatness between tiles avoiding movements during the mortar setting. This reduces the time for the ceramic laying obtaining a perfect lippage-free finish. Avoid movements between the tiles due to the mortar setting.
- The width of grout joints must be established by the installation supervisor, unless grout widths are regulated by national laying standards. The grout colour should be selected according to the colour of the tile. We recommend to select a matching colour. Before using fine-grain coloured grout on lapped, polished or brushed products, always test it. If the pigment is very adhesive, it may be very difficult to remove.
- We recommend to lay the tiles by using suitable adhesives for each kind of product and surface. As general rule, tiles must be installed in the same position. The minimum joint is 2 mm for rectified tiles, although we suggest a higher joint for big size products. After grouting, remove any excess product as quickly as possible by repeatedly washing the area with a sponge and water.
- Steps to follow 1. First, set the tool to the scale according to the ceramic thickness. 2. Introduce the crossheads and continue laying the adjacent tiles. 3. Put the wedges in the crosshead manually. 4. Tighten the wedges with the pliers to level the pieces. 5. Allow for setting for the time recommended by the manufacturer of the adhesive cement. 6. Remove the crossheads. Hit the crosshead with a rubber mallet or with your foot in the direction of the joint. Do not hit the wedges.
- The company will not accept any claim if this is due to the problems caused by not following these suggestions and instructions.

GUARANTEES AND COMPLAINTS

The quality of the ceramic material is defined on the basis of the prevailing international regulations applicable to the corresponding product class. RAK Ceramics guarantees only goods supplied as prime quality. Complaints relating to goods other than of prime quality ("B" quality, commercial, second, third, secondary, stock, etc.) shall not be taken into consideration, nor will any kind of guarantee be given, either implicitly or explicitly, on these materials. The Purchaser is obliged to check the goods in terms of quality and quantity within a short time after receipt and, in the case of a complaint, to give notification of this in writing no later than 8 (eight) days from receipt of the goods; failure to do so will incur the forfeiture of all rights.

Material deemed to be defective must be held at RAK Ceramics's disposal for the checks that it will consider suitable to carry out; any further action (return, repair or other) must be authorized in advance by us in writing. Complaints and requests for intervention under guarantee after the material has been laid shall not be taken into account if the defect reported is evident (e.g. chips, defects of size, differences in colour shade, etc.). It is made clear that the prime quality may contain defective tiles up to a limit of 5% and that the colour shades of the material supplied may differ from the sample displayed, since ceramic is intrinsically variable in appearance. Complaints attributed to latent faults or defects must be formalized in writing within 8 (eight) days from their discovery and, in any case, within one year from delivery; failure to do so will incur the forfeiture of all rights under the guarantee and to compensation. As well as the invoice details, the notification must contain a precise description of the defect and an estimate of costs for repair or modification of the product; failure to notify this data will cause the complaint to be deemed invalid.

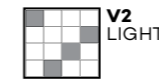
If the complaint should prove to be unfounded the Purchaser must reimburse RAK Ceramics for all the expenses incurred for assessment (travelling expenses, surveys, etc.). RAK Ceramics's obligation is, in any case, limited to replacing the defective pieces only or to repairing them, with the express exclusion of other, further indemnities such as, by way of a non-limiting example, for costs of removing and re-installing furniture, equipment, machinery, etc., or loss of earnings for interruption or suspension of business, inconvenience, consequential damages, etc. The presence of defective tiles does not invalidate the quality of the entire supply, nor does it incur the obligation for its entire replacement. Conditions applied by the company.

ICONS

COLOUR VARIATIONS



The least amount of shade variation attainable.



Light to moderate shade variation within each carton.



Medium to high shade variation within each carton.

INDICATIONS FOR USE



SUGGESTED APPLICATIONS



Residential areas, hotel rooms, bathrooms



Indoor public areas subject to medium pedestrian traffic such as restaurants, bars, offices, shops, hotel public areas, convention rooms.



Outdoor public environments subject to medium pedestrian traffic such as outdoor terraces, stairs, corridors, raised paving, private garden, swimming pool and wellness areas. Always check the slipperiness characteristics according to the intended environment, in conformity with applicable regulations or laws.



Industrial floors such as warehouses, deposits, factories.

R RATING



indicates a normal grip with an inclination plane from 3° to 10°



indicates a medium grip with an inclination plane from 10° to 19°



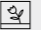
indicates a high grip with an inclination plane from 19° to 27°


CLASSIFICATION	TYPICAL APPLICATIONS	MEAN CRITICAL ANGLE VALUE
Class A	Barefoot, but mainly dry aisles and walkways, dry changing areas.	≥ 12 °
Class B	Shower rooms, pool surrounds, wet changing areas (plus all areas covered by Class A).	≥ 18 °
Class C	Areas constantly under water, e.g. steps into pools, foot baths, inclined pool surrounds, Jacuzzis (plus all areas covered by Class A and B).	≥ 24 °

PACKAGE DETAILS

Sizes (cm)	Thickness (mm)	Pieces X	M² X	Kg X	X Eu. Pallet	M² X Eu. Pallet	kg X Eu. Pallet
120X280	9	1	3.36	71.00	20.00	67.20	1,548.00
120X280	6	1	3.36	50.00	20.00	67.20	1,100.00
90X180	9	1	1.62	35.00	40.00	64.80	1,450.00
120X120	9	2	2.88	63.00	30.00	86.40	1,900.00
80X80	9	3	1.92	42.00	30.00	57.60	1,285.00
80X80	20	1	0.64	30.00	40.00	25.60	1,225.00
60X120	8.5	3	2.16	45.00	22.00	47.52	1,015.00
60X120	20	1	0.72	33.00	30.00	21.60	1,010.00
60X60	8.5	4	1.44	28.00	30.00	43.20	875.00
60X60	20	2	0.72	34.00	30.00	21.60	1,040.00
40X120	10	4	1.92	34.00	28.00	53.76	973.50
30X90	10	7	1.89	34.50	48.00	90.72	1,680.00
30X60	8.5	10	1.80	30.00	48.00	86.40	1,460.00
30X30	8.5	14	1.26	23.00	46.00	57.96	1,080.00
29.5X180TH	9	3	1.59	35.00	38.00	60.42	1,400.00
29.5X120	20	1	0.36	17.00	60.00	21.60	1,040.00
19.5X120	8.5	6	1.40	30.00	36.00	50.40	1,080.00
6.5X26	8.5	41	0.70	11.50	90.00	63.00	1,055.00
6X24	8.5	41	0.60	12.00	90.00	54.00	1,100.00
11.7X24.5	8	28	0.80	14.00	90.00	72.00	1,280.00
10X10	6.5	108	1.08	16.00	62.00	66.96	1,012.00
10X10	6.5	108	1.08	16.00	72.00	77.76	1,172.00

R RATING TABLE

Collections	Typology	Colours	R (matt)	R 
BALTICO	Porcelain Tiles	Beige	R10 / A+B	R11
		Grey	R10 / A+B	-
		Light Grey	R10 / A+B	R11
CARMO STONE	Porcelain Tiles	Black	R10	R11
		Grey	R10	R11
		Ivory	R10	R11
CEPPO DI GRE' STONE	Porcelain Tiles	Light Grey	R9	R11
		Mid Grey	R9	-
CITY STONE	Porcelain Tiles	Anthracite	R10 / A	-
		Beige	R10 / A	R11
		Bone	R10 / A	R11
		Clay	R10 / A	-
		Grey	R10 / A	R11
CITY STONE T	Full Body Porcelain Tiles	Beige	-	R11
		Bone	-	R11
		Grey	-	R11
COTTO PIENZA	Full Body Porcelain Tiles	Brown	R10 / A+B+C	-
		Light Brown	R10 / A+B+C	-
		Nut	R10 / A+B+C	-
		White	R10 / A+B+C	-
COTTO PIENZA G	Porcelain Tiles	Brown	-	R11
		Light Brown	-	R11
		Nut	-	R11
		White	-	R11
CREATIVE CONCRETE P	Porcelain Tiles	Beige	R10 / A	-
		Dark Grey	R10 / A	-
		Grey	R10 / A	-
		White	R10 / A	-
CREATIVE CONCRETE P DECOR	Porcelain Tiles	Beige	R10 / A	R11
		Dark Grey	R10 / A	R11
		Grey	R10 / A	R11
		White	R10 / A	R11
CREATIVE CONCRETE P RACE	Porcelain Tiles	Beige	R10 / A	-
		Dark Grey	R10 / A	-
		Grey	R10 / A	-
		White	R10 / A	-
CREATIVE CONCRETE P STONE	Porcelain Tiles	Beige	R10 / A	R11
		Dark Grey	R10 / A	R11
		Grey	R10 / A	R11
		White	R10 / A	R11
CURTON	Full Body Porcelain Tiles	Beige	R10 / A+B+C	-
		Grey	R10 / A+B+C	-
		Taupe	R10 / A+B+C	-
		White	R10 / A+B+C	-
CURTON DECOR	Full Body Porcelain Tiles	Beige	-	R11 / A+B+C
		Grey	-	R11 / A+B+C
		Taupe	-	R11 / A+B+C
		White	-	R11 / A+B+C

Collections	Typology	Colours	R (matt)	R 
ESSENTIAL WOOD	Porcelain Tiles	Natural	R10 / A+B	R11
		Taupe	R10 / A+B	R11
LINE WOOD	Porcelain Tiles	Beige	R9	R11
		Brown	R9	-
		Dark Beige	R9	R11
		Ivory	R9	R11
		Nut	R9	R11
MOON STONE	Porcelain Tiles	Beige	R10 / A	R11
		Dark Grey	R10 / A	R11
		Grey	R10 / A	R11
OPIFICIO	Porcelain Tiles	White	R10 / A	R11
		Light Grey	R10 / A	R11
OPIFICIO T	Full Body Porcelain Tiles	White	-	R11
		Light Grey	-	R11
PALEO	Porcelain Tiles	Beige	R10 / A	R11 / A+B
		Clay	R10 / A	R11 / A+B
		Grey	R10 / A	R11 / A+B
PAPYRUS WOOD	Porcelain Tiles	White	R10 / A	R11 / A+B
		Brown	R10	-
		Ivory	R10	-
PONTINO	Porcelain Tiles	Nut	R10	-
		Brown	R9	R11
		Clay	R9	R11
PONTINO DECOR	Porcelain Tiles	Clay	R9	-
		Brown	R9	-
PORDOI STONE	Porcelain Tiles	Beige	R10	R11
		Grey	R10	R11
		Light Grey	R10	R11
PORTLAND STONE CROSS CUT	Porcelain Tiles	Greige	R10 / A+B	R11
		White	R10 / A+B	R11
PORTLAND STONE CROSS CUT DECOR	Porcelain Tiles	Greige	R10 / A+B	-
		White	R10 / A+B	-
PORTLAND STONE VEIN CUT DECOR	Porcelain Tiles	Greige	R10 / A+B	R11
		White	R10 / A+B	R11
PORTLAND STONE VEIN CUT	Porcelain Tiles	Greige	R10 / A+B	-
		White	R10 / A+B	-
RAPOLANO MARBLE	Porcelain Tiles	Beige	R9	R11
		Light Beige	R9	R11
		White	R9	R11
SAPIEN WOOD	Porcelain Tiles	Brown	R10 / A	R11
		Honey	R10 / A	R11
		Natural	R10 / A	R11
SIGURT WOOD	Porcelain Tiles	African Ash	R9	R11
		Scandinavian Oak	R9	R11
		Siberina Grey	R9	R11
TRAVERTINE CROSS CUT	Full Body Porcelain Tiles	Beige	R9	-
		Grey	R9	R11
		Ivory	R9	R11
		White	R9	-

Contact

RAK CERAMICS
P.O. Box 4714, Ras Al Khaimah,
United Arab Emirates (U.A.E.)
Tel.: +971 7 2467000
Fax: +971 7 2445270
Email : info@rakceramics.com

RAKCERAMICS.COM

NOTE: In printing, colour of the products may differ slightly from actual, pictures are only for reference.

RAK

CERAMICS